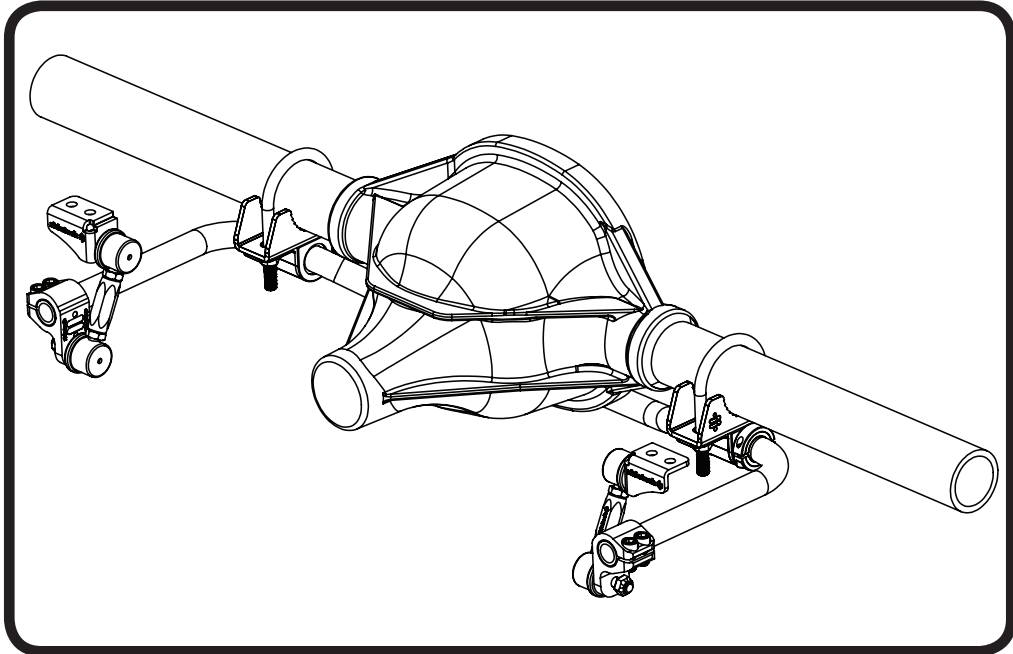
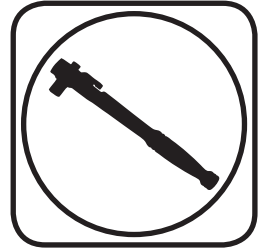




Part # 11329122 - 1978-1988 GM G-Body Rear SwayBar



Recommended Tools



1978-1988 GM G-Body Rear SwayBar Installation Instructions

Table of contents
Page 2..... Included Components and Hardware List
Page 3-4..... SwayBar Installation

Hardware Torque Specifications

3/8"-16.....	30 ftlbs
7/16"-20.....	55 ftlbs
M10-1.5.....	37 ftlbs

Major ComponentsIn the box

Part #	Description	QTY
90001237	Rear SwayBar	1
90001261	Axle Bracket, 2.5" Axle Tube	2
70012496	Delrin Sway Bar Bushing Liner	2
90001250	Bushing Strap	2
90002539	SwayBar Bushing	2
90001251	Frame Tab, Driver	1
90001252	Frame Tab, Passenger	1
70014301	Clamp Ring	2
70014207	Clamp On SwayBar End	2
90002571	10mm 90 Degree End Links	4
90001262	SwayBar End Link Spacer, 2 1/8"	2
99436003	7/16" U-bolt	2

HARDWARE KIT.....99010084

QTY	Part Number	Description
SWAYBAR TO AXLE		
4	99433002	7/16" SAE Flat Washer
4	99432002	7/16"-20 Nylok Nut
SWAYBAR END CLAMP		
4	99371054	3/8"-16 x 7/8" Socket Head Bolt

QTY	Part Number	Description
TAB TO FRAME		
4	99371005	3/8"-16 x 1 1/4" Hex Bolt
4	99373002	3/8" Flat Washer
4	99372001	3/8"-16 Nylok Nut

Getting Started.....

This SwayBar Kit utilizes a Delrin Liner in the SwayBar Bushing. The Delrin Liner allows the SwayBar to move freely and quietly in the Bushing. The Delrin is self-lubricating, no lubrication is required.

THIS SWAYBAR ATTACHES TO THE AXLE AND FRAME.

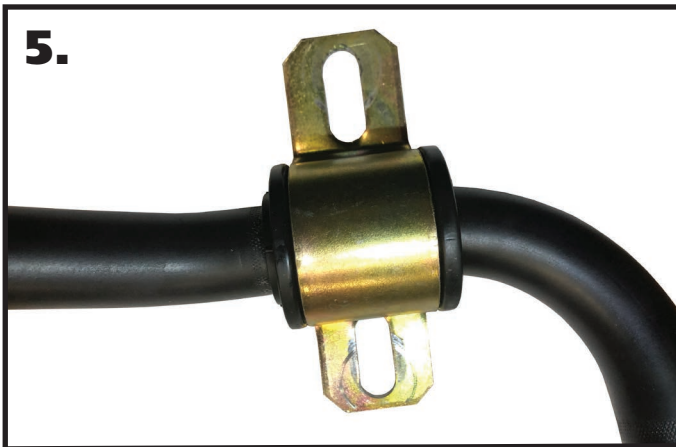
1. Jack the vehicle up to a safe working height and support with jack stands. Make sure the jack stands are stable before working under the car.
2. Remove the stock sway bar if the car is equipped with one.



3. Open the Delrin Liner at the split and slip it over the SwayBar. Position it in the center of the straight area that it will ride in. Do this on both ends of the swaybar.



4. Open the SwayBar Bushing at the split and slip it **OVER** the Delrin Liner. Do this on both Delrin Liners.



5.

5. Install the Bushing Straps over the SwayBar Bushings.



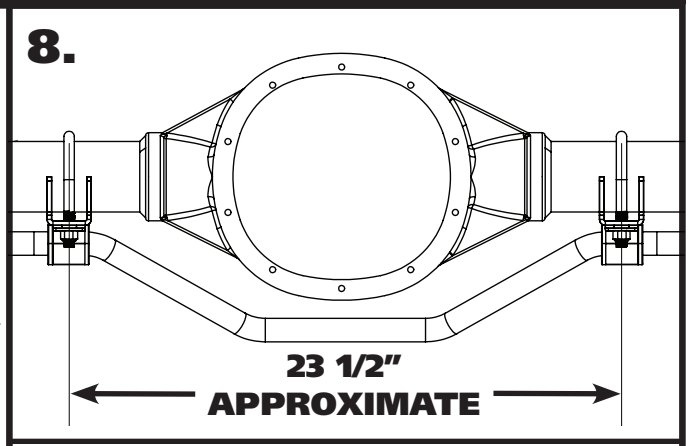
6.

6. Install the U-bolts onto the axle tube with the threads pointing down. You may need to raise the brake lines in the area of the u-bolts. The u-bolts will be approximately 23 1/2" apart and equal distance on each side from the brake backing plates.



7.

7. Install an Axle bracket onto each u-bolt with the flat side to toward the ground. The "teeth" of the mount should touch the axle tube.



8.

8. **Diagram 8** illustrates the correct installation of the sway bar. Again, the axle brackets will be approximately 23 1/2" from center to center. The mounts should be spaced equal amounts from the brake backing plates, centering the sway bar on the axle.



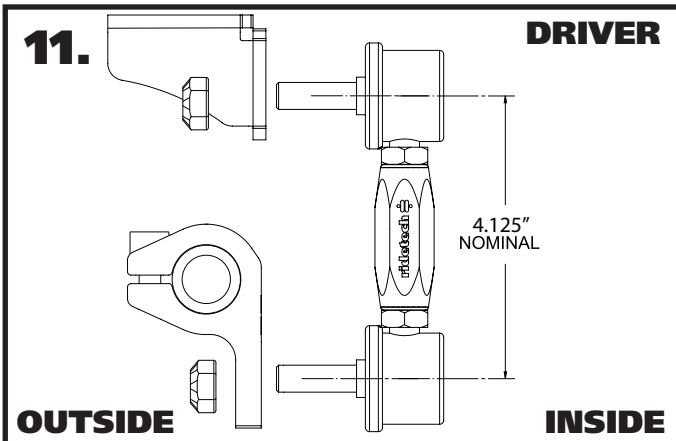
9.

9. Hold the SwayBar in position on the car with the center bend toward the ground. Install a 7/16" Flat Washer & 7/16"-20 Nylok Nut on the threads of the u-bolts. Snug the hardware down and verify that it is centered and the axle mounts are level. Torque the u-bolt hardware.

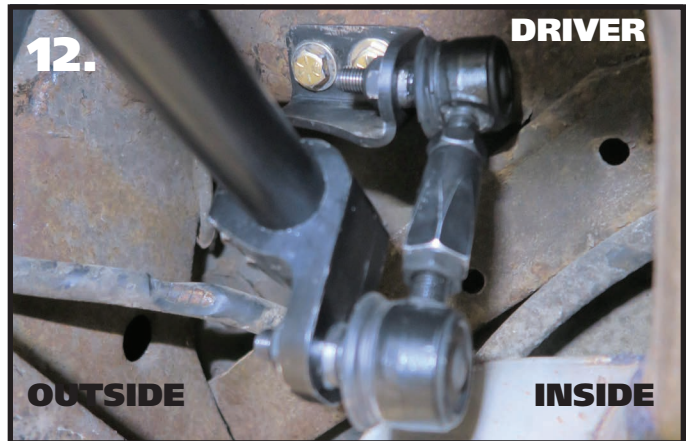


10.

10. Thread (2) 3/8"-16 x 7/8" Socket Head Cap Screws into each of the Clamp-On Ends. Install a clamp-on end on each end of the bar. The End Link mounting hole should be mounted to the inside of the bar and pointing down. Start with the mount flush with the end of the bar.



11. Set the Linkage to 4 1/8" center to center with the threaded studs pointed the same direction. Snug the jam nuts against the center adapter. Attach the SwayBar Linkage to the Clamp-On Mount using the hardware on the linkage. Attach the correct tab to the top of the linkage with the gusset to the front. Use **Diagram 11** as a reference. Attach the linkages and tab to both sides.



12. Swing the tab up to the frame, keeping the linkage straight from side to side. Use the tab to mark the location of the holes that will need to be drilled. Drill the holes with a 3/8" drill bit. Install a 3/8" flat washer on each of (2) 3/8"-16 x 1 1/4" hex bolts and install them through the bracket and drilled holes. Install a 3/8" flat washer & 3/8"-16 nylok nut on each bolts sticking through the frame. Torque the hardware and repeat on the other side.



13. Install the locking rings on the outside of each bushing assembly. Use a hex key to take the locking ring apart. Reassemble it on the bar positioned next to the outside of the bushing assembly. Push the locking ring up against the bushing assembly and tighten.

14. We recommend getting the swaybar as level as possible at ride height and with no preload. Both of these steps are done by adjusting the end links. These end links can be adjusted from 4 1/8" to 4 7/8". Disconnect the end links from the swaybar and adjust one side to get the swaybar level. Reattach the end link to the swaybar and adjust the 2nd end link so that it goes in and out of the clamp-on mount with ease. This will be zero preload. The rate of this sway bar is also adjustable. This is possible by changing the position of the clamp-on ends on the bar. The standard setting is with the clamp-on mounts even with the end of the bar, stiffest is with the clamp-on end positioned 3" from the end of the swaybar. The Diagram below shows the clamp-on mount in the softest and stiffest settings. The position of the mounts will be determined by several factors; spring rate, front bar size, and even tire size. We recommend running this rear sway bar with Ridetech's front sway bar (11329120) for the best performance.

MINIMUM RATE 200 LB/INCH

HIGH RATE 350 LB/INCH

