

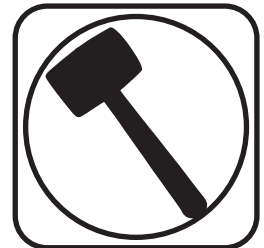
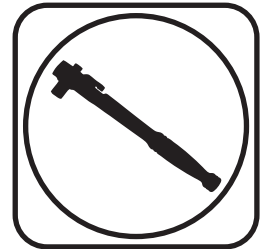


12319502

Ford F100 GM LS/Small Block/Big Block Engine Mount Kit



Recommended Tools



**F100 GM LS/SBC/BBC Engine Mount Kit
Installation Instructions**

Table of contents
Page 2..... Hardware Kit & Installation

THESE ENGINE MOUNT ARE DESIGNED TO FOR THE RIDETECH F100 SUSPENSION KIT.

Engine Mount ComponentsIn the box

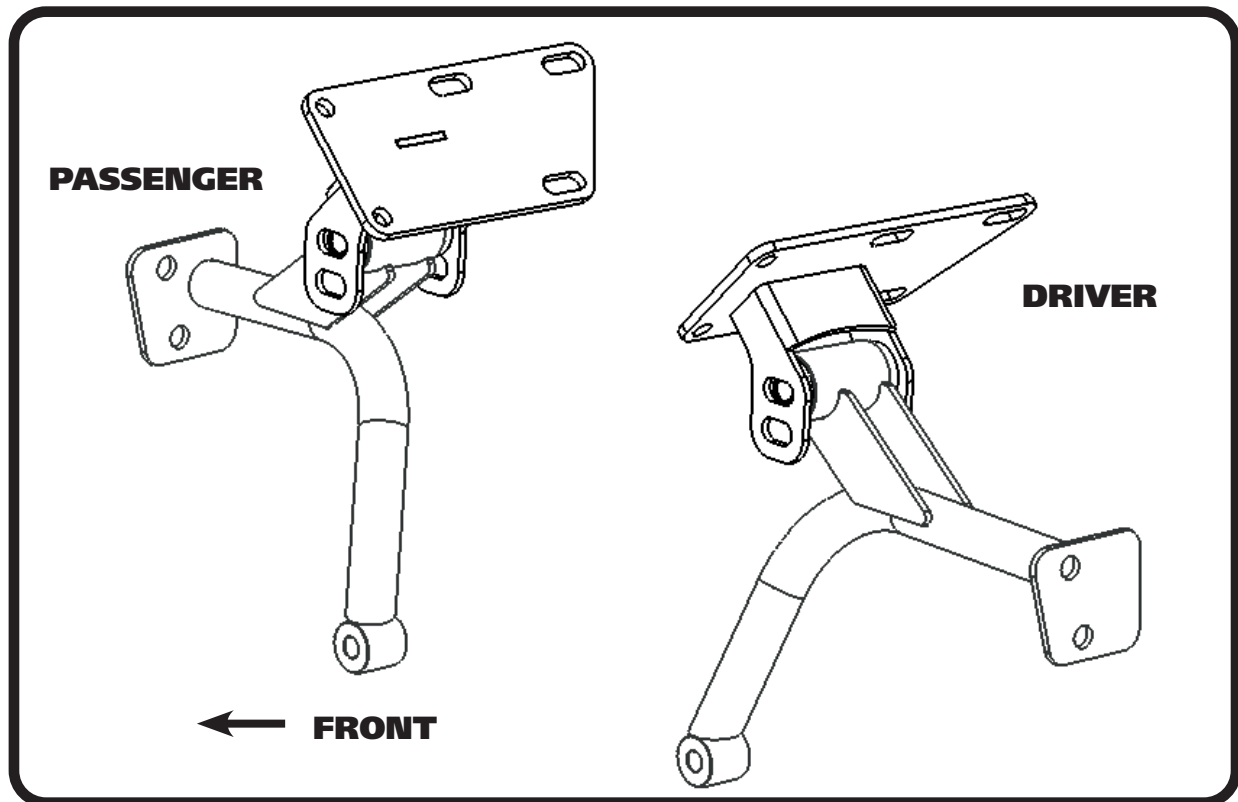
Part Number	Description	QTY
90003414	Driver Engine Mount - LS/SBC/BBC	1
90003415	Passenger Engine Mount - LS/SBC/BBC	1
99010207	Hardware Kit	1



Hardware Kit #99010207In the box

Part #	Description	QTY
MOUNT TO CRADLE		
99561012	9/16"-18 X 4 1/2" Hex Bolt	2
99562011	9/16"-18 Nylok Nut	2
99563003	9/16" SAE Flat Washer	4
SBC/BBC BLOCK TO MOUNT		
99371065	3/18"-16 x 3/4" Hex Bolt	6
99373002	3/8" SAE Flat Washer	6
LS BLOCK TO MOUNT		
99111013	M10-1.5 x 25 mm Hex Bolt	6
99113002	M10 Flat Washer	6

Installation



1. Attach the mounts to the block in the OEM location using the correct hardware for the engine you are installing. LS uses 10mm hardware. Small Block & Big Block use 3/8" hardware. Use the above **Diagram** as a reference for mount orientation. Torque to 35 ft-lbs

2. The mounts that attached to the cradle mounts have (2) positions. The top position is at OEM height. The bottom mounting holes can be used to raise the engine if you would happen to need more clearance. Attach the mounts to the cradle using the supplied 9/16" hardware. Torque to 90 ft-lbs.