

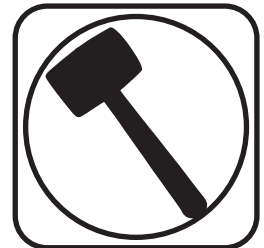
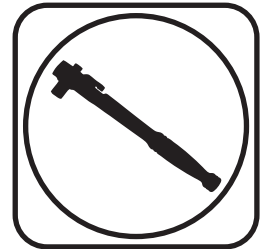


**12319503**

**Ford F100 Ford Modular/Coyote Engine Mount Kit**



**Recommended Tools**



**Ford Modular/Coyote Engine Mount Kit  
Installation Instructions**

**Table of contents**  
Page 2..... Hardware Kit & Installation

THESE ENGINE MOUNT ARE DESIGNED TO FOR THE RIDETECH F100 SUSPENSION KIT.

**Engine Mount Components** ....In the box

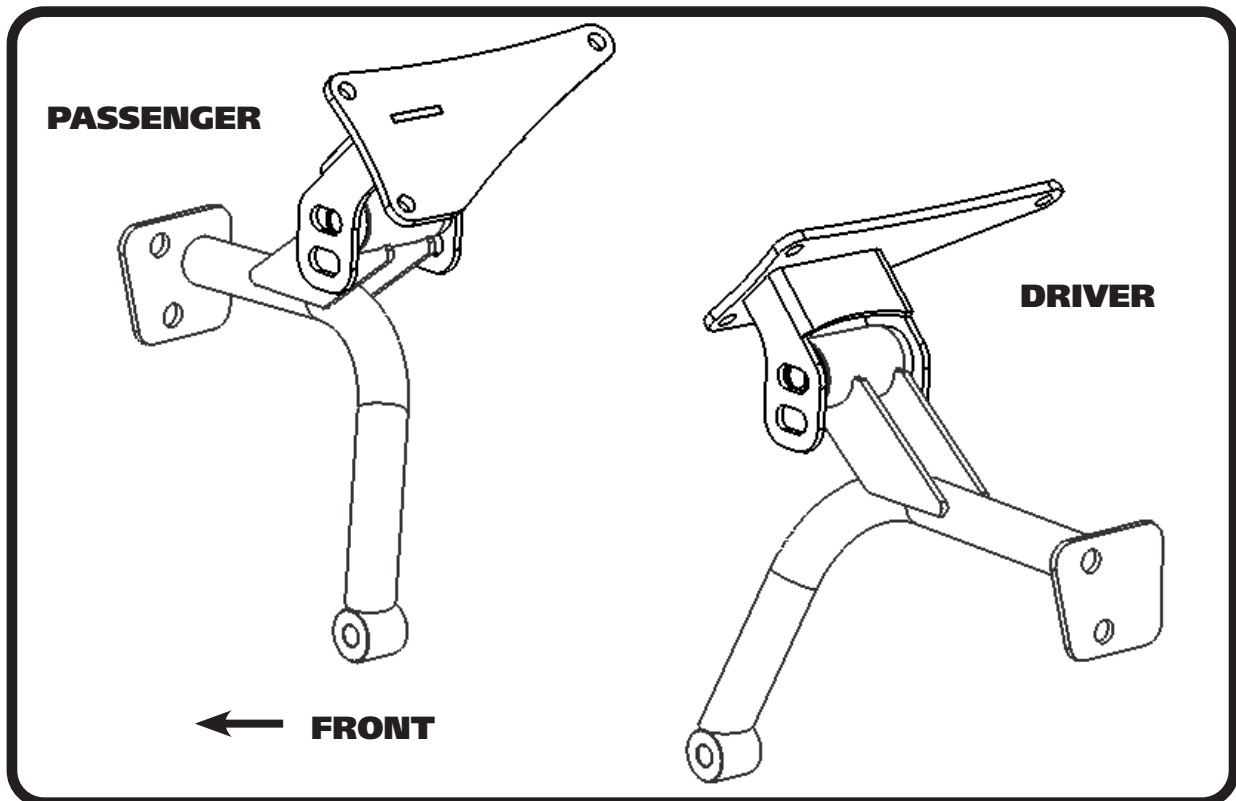
Part Number	Description	QTY
90003416	Driver Engine Mount - Modular/Coyote	1
90003417	Passenger Engine Mount - Modular/Coyote	1
99010208	Hardware Kit	1



### Hardware Kit #99010208 .....In the box

Part #	Description	QTY
MOUNT TO CRADLE		
99561012	9/16"-18 X 4 1/2" Hex Bolt	2
99562011	9/16"-18 Nylok Nut	2
99563003	9/16" SAE Flat Washer	4
BLOCK TO MOUNT		
99111013	M10-1.5 x 25 mm Hex Bolt	6
99113002	M10 Flat Washer	6

## Installation



1. Attach the mounts to the block in the OEM location using the 10mm hardware supplied with the kit. Use the above Diagram as a reference. Torque to 35 ft-lbs
2. The mounts that attached to the cradle mounts have (2) positions. The top position is at OEM height. The bottom mounting holes can be used to raise the engine if you would happen to need more clearance. Attach the mounts to the cradle using the supplied 9/16" hardware. Torque to 90 ft-lbs.