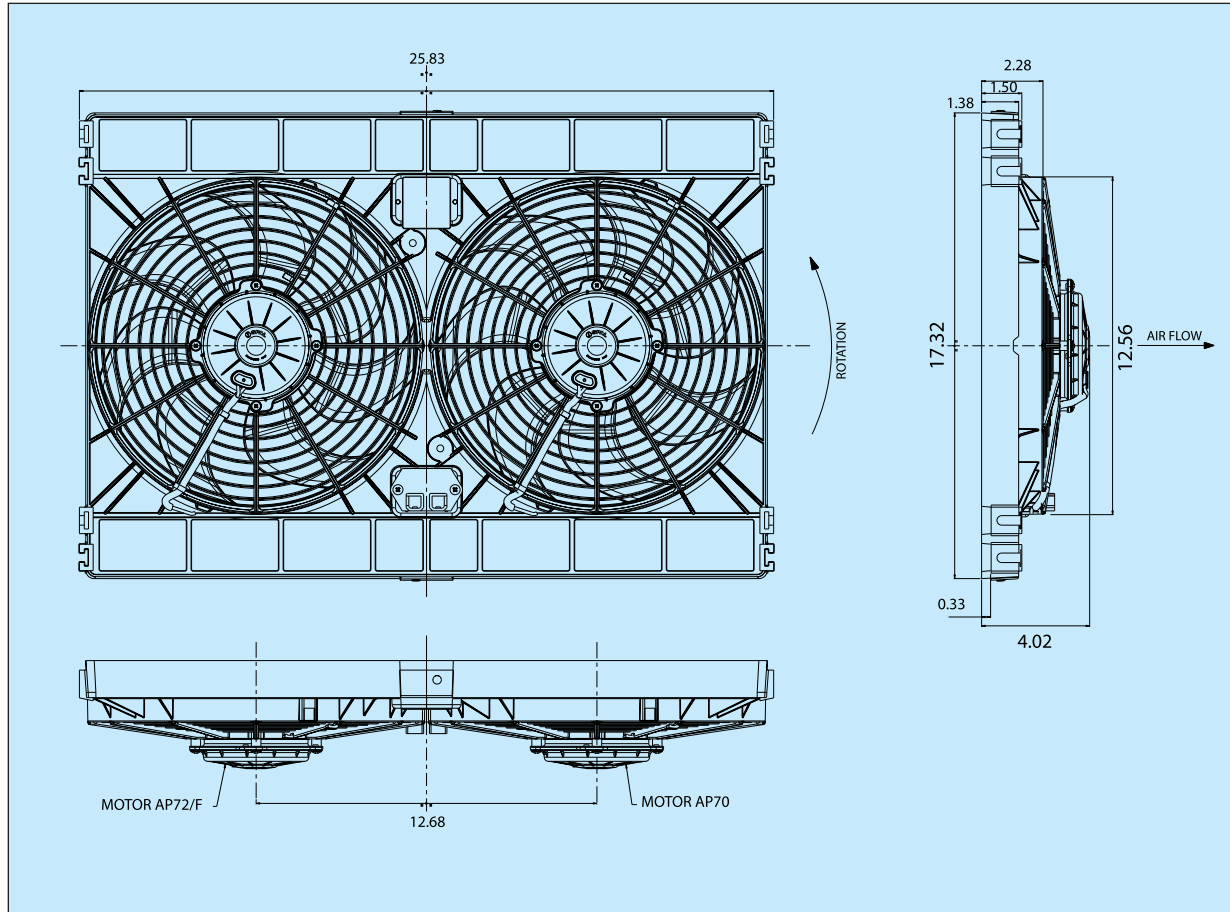


| | | |
|--------------------------------|---|----------------------------------|
| <i>Part Number</i> 30102130 | <i>Type</i> 2VA50-AP70/LL - AP72/LL/F-66A Pull | <i>Fan Diameter</i> 12-inches |
|--------------------------------|---|----------------------------------|



Test Voltage 13V DC



* Weight 5.1 Kg
11.25 lbs. approx.

* High Airflow

* Long Life

* Low Fan Noise



| Static Pressure in H ₂ O | Pull | Push |
|--|----------------|-----------------------|
| | Airflow cfm | Current Input A |
| 0 | 3168 | 39.2 |
| 0.1 | 2991 | 40.1 |
| 0.2 | 2876 | 42.1 |
| 0.3 | 2692 | 42.4 |
| 0.4 | 2508 | 43.4 |
| 0.5 | 2305 | 44.2 |
| 0.6 | 2069 | 44.8 |
| 0.7 | 1863 | 45.9 |
| 0.8 | 1664 | 45.8 |
| 1.0 | 1271 | 48.6 |

Static Pressure: 1 mm H₂O = 0.04 in. H₂O
Airflow: 1 m³/h = 0.59 cfm