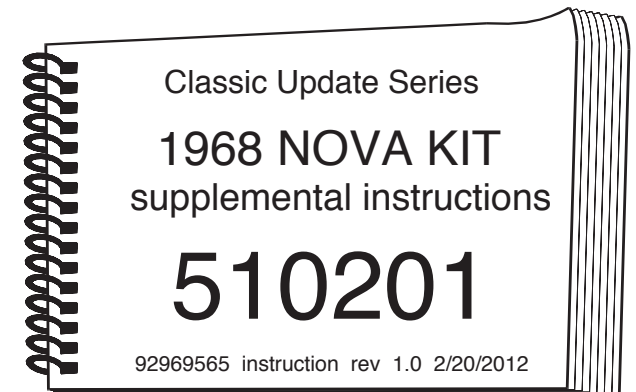


On the next 4 pages, you will find several detailed specialized instructions that will help you install our '69-'72 Nova Classic Update Dash Kit, P/N 500775, into your 1968 Nova. These instructions along with the specialized harnesses and parts from the this wire kit will need to be used in conjunction with the corresponding instructions and many parts, from the 500775 dash kit. These dash modifications include the following specialized jumper harnesses: ignition switch, heater switch, and wiper switch extensions. The entire balance of the 1969-1972 Nova kit will install into any 1968 car without any further modifications or issues.

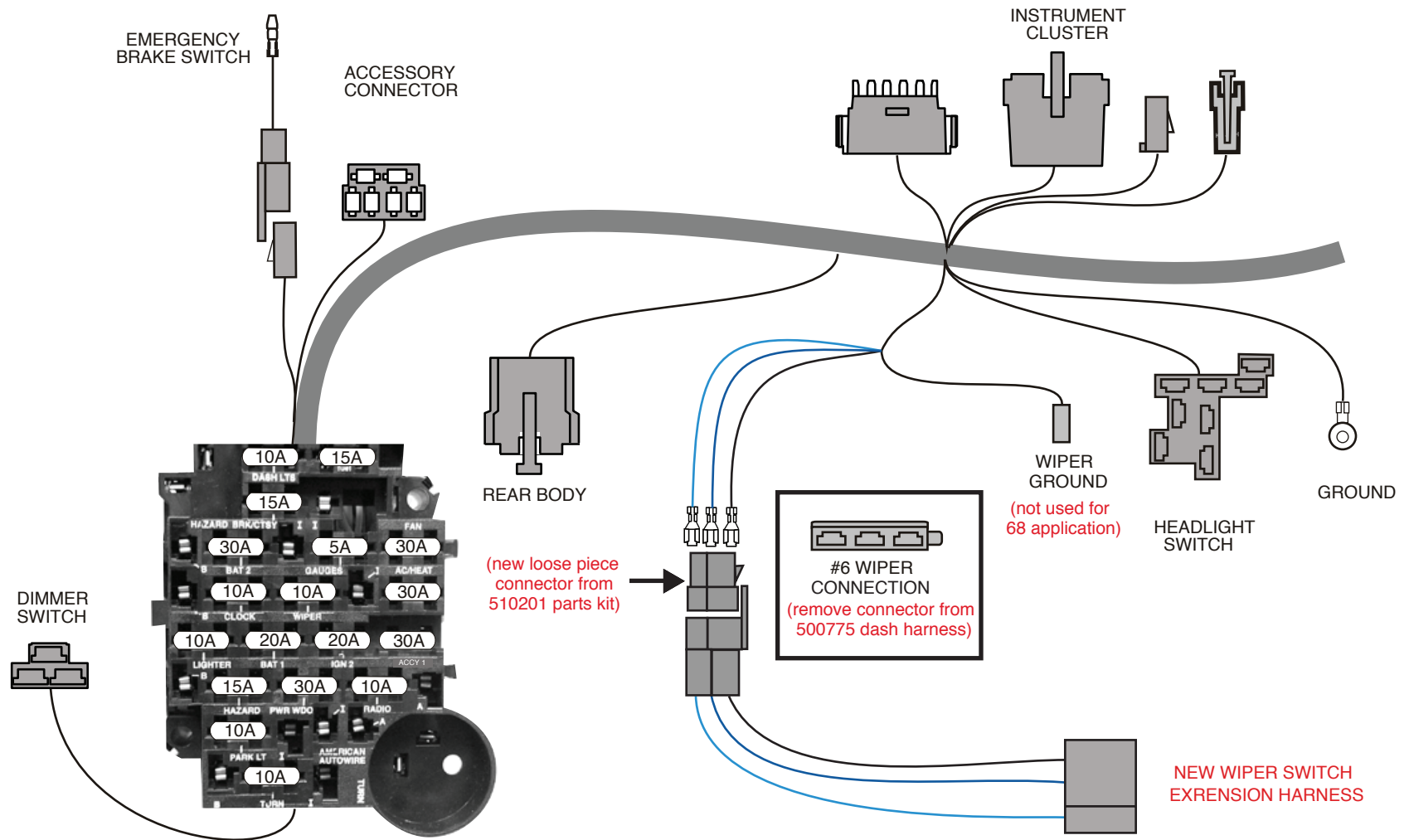


**American
Autowire**

www.americanautowire.com 856-933-0801



Classic Update Series



1. Remove the wiper switch connector from location number 6 on the '69-'72 dash harness, 500775, bag G as shown above by simply inserting a small screwdriver or thin pick into the face of the connector and releasing the locking tabs on the 3 terminals (be sure to lift those locking tabs back up once the terminals have been removed so they will lock into the new connector in step 2).

2. Install the lt. blue, dk. blue, and black wires from the wiper switch connection of the dash harness, 500775, into the new loose piece 3 position connector from kit 510201. Be sure to maintain color continuity with the New Wiper Switch Extension Harness. If for some reason you damage the wiper terminals of the original dash harness, new ones have been provided for you in this kit. Simply cut off the old terminals and crimp the new ones on prior to plugging in the new connector.

3. Plug the New Wiper Switch Extension Harness onto the modified dash harness connection from step 2 above, then plug this new connection onto your 1968 wiper switch to complete the wiper circuit of your 68 Nova.



**American
Autowire**

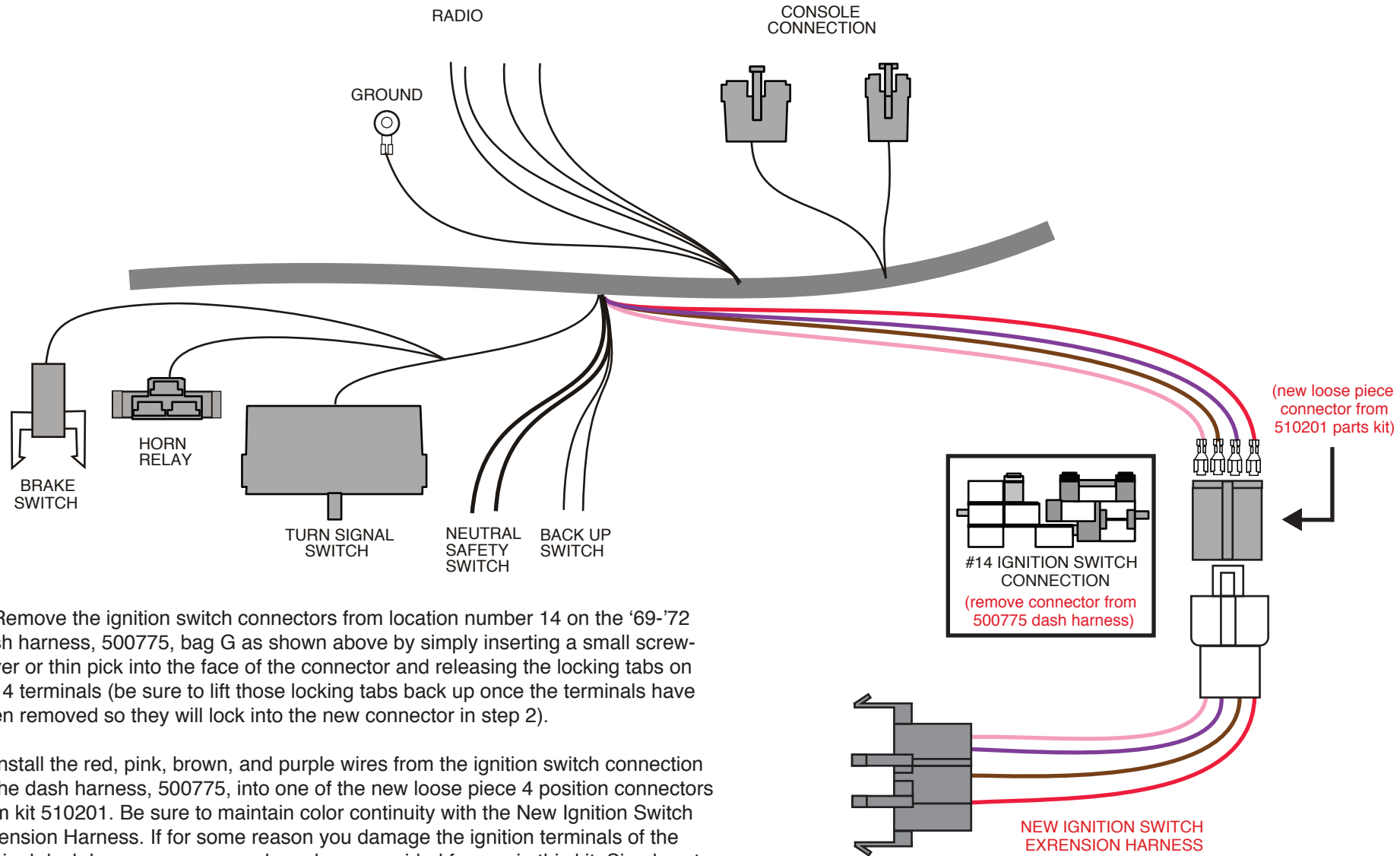
www.americanautowire.com 856-933-0801

Wiper
Switch Extension
1968 Nova

510201

92969565 instruction rev 1.0 2/20/2012

Classic Update Series



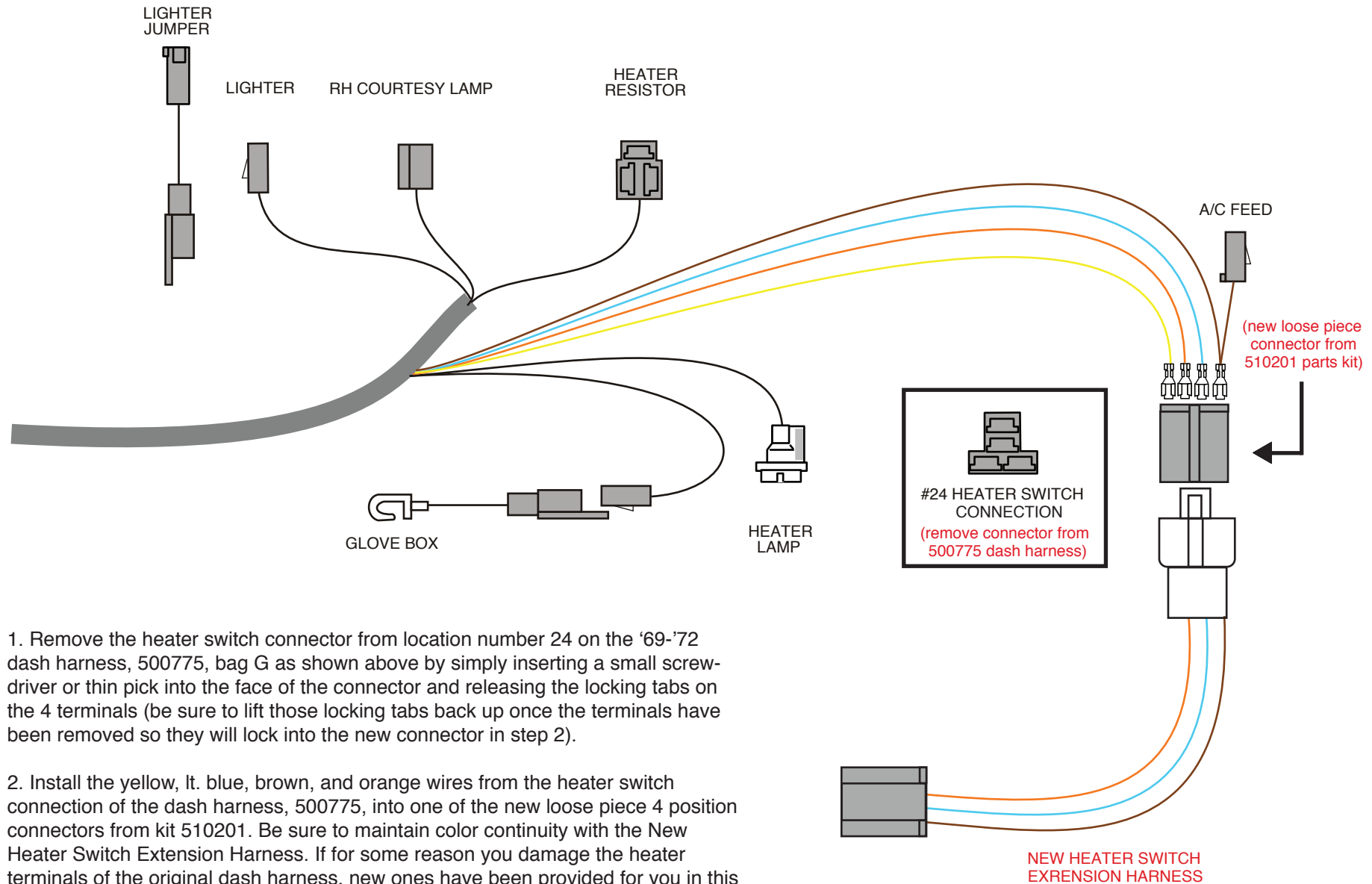
1. Remove the ignition switch connectors from location number 14 on the '69-'72 dash harness, 500775, bag G as shown above by simply inserting a small screwdriver or thin pick into the face of the connector and releasing the locking tabs on the 4 terminals (be sure to lift those locking tabs back up once the terminals have been removed so they will lock into the new connector in step 2).
2. Install the red, pink, brown, and purple wires from the ignition switch connection of the dash harness, 500775, into one of the new loose piece 4 position connectors from kit 510201. Be sure to maintain color continuity with the New Ignition Switch Extension Harness. If for some reason you damage the ignition terminals of the original dash harness, new ones have been provided for you in this kit. Simply cut off the old terminals and crimp the new ones on prior to plugging in the new connector.
3. Plug the New Ignition Switch Extension Harness onto the modified dash harness connection from step 2 above, then plug this new connection onto your original 1968 ignition switch to complete the ignition switch circuit of your 68 Nova.

Ignition
Switch Extension
1968 Nova

510201



Classic Update Series



1. Remove the heater switch connector from location number 24 on the '69-'72 dash harness, 500775, bag G as shown above by simply inserting a small screwdriver or thin pick into the face of the connector and releasing the locking tabs on the 4 terminals (be sure to lift those locking tabs back up once the terminals have been removed so they will lock into the new connector in step 2).

2. Install the yellow, lt. blue, brown, and orange wires from the heater switch connection of the dash harness, 500775, into one of the new loose piece 4 position connectors from kit 510201. Be sure to maintain color continuity with the New Heater Switch Extension Harness. If for some reason you damage the heater terminals of the original dash harness, new ones have been provided for you in this kit. Simply cut off the old terminals and crimp the new ones on prior to plugging in the new connector.

3. Plug the New Heater Switch Extension Harness onto the modified dash harness connection from step 2 above, then plug this new connection onto your original 1968 heater switch to complete the heater switch circuit of your 68 Nova.



Heater
Switch Extension
1968 Nova

510201