

09-13 Ford F-150 SuperCrew (with subwoofer) Underseat Storage

Fits DU-HA Part Numbers

| | |
|-------|-------|
| 20100 | 20101 |
| 20075 | 20078 |
| 20076 | 20079 |
| 20077 | 20080 |

Materials Needed:

- // Flathead Screwdriver
- // 8mm Socket

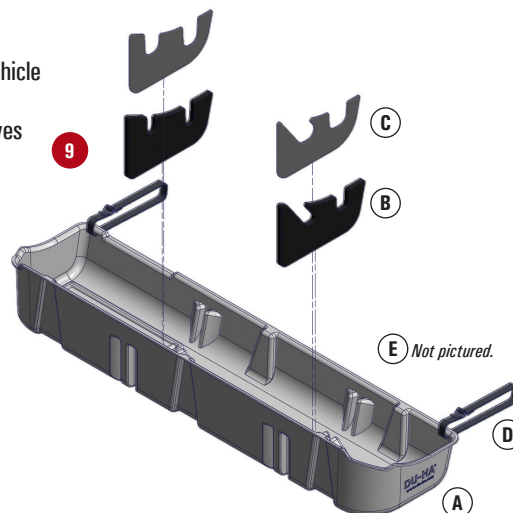
Installation Instructions:

- 1 Flip up the seat bottoms of the back seats.
- 2 Remove 2 plastic covers from the base of subwoofer by gently prying up using a flathead screwdriver.
- 3 Remove the three bolts (pictured) from the subwoofer using an 8mm socket.
- 4 Lift up the subwoofer (as pictured). Remove the wire plug by pressing on top and bottom of plug and remove from the subwoofer (as pictured). Set the subwoofer aside.
- 5 Position the DU-HA under back seats with cut out slots in the DU-HA facing towards the truck bed.
- 6 Place the subwoofer back into the DU-HA and re-install the subwoofer the same way you took it out.
- 7 Thread each of the (D) Nylon Straps through the slots in the back of the DU-HA, and around the large bolts sticking up underneath the passenger side and driver's side back seats, then screw one (E) Flange Nut – 1/2" onto each of the large bolts (as pictured).
- 8 Secure each nylon strap by threading the strap up through the bottom of the back slot of the buckle and down through the front slot of the buckle. Tighten. The straps help secure the DU-HA in the truck.
- 9 Install the (B) Foam Organizer / Gun Rack and (C) Plastic Stiffeners by sliding them into the channel slots inside the DU-HA, making sure the high side of each piece faces towards the front (as pictured).
- 10 Pull the lever under each back seat to return the seat bottoms to the down position.
Please note: When the seat is down, it does not latch. The seat is designed to latch only when it is up. (To test this, you may put the seat down without the DU-HA underneath. Note that it does not latch down.)



Safety Instructions:

Warning: Seat bottoms must be down at all times while vehicle is moving. Make sure the DU-HA is secured in the vehicle according to installation instructions. Do not store explosives or hazardous materials in the DU-HA. Do not place loaded guns in the DU-HA. For further instructions refer to truck owners manual or contact DU-HA, Inc.



| Part | Description | Qty |
|------|---------------------------|-----|
| A | DU-HA Storage Unit | 1 |
| B | Foam Organizer / Gun Rack | 2 |
| C | Plastic Stiffener | 2 |
| D | Nylon Strap with Buckle | 2 |
| E | Flange Nut – 1/2" | 2 |

Ribs on buckle should face up. Thread strap through buckle as shown.

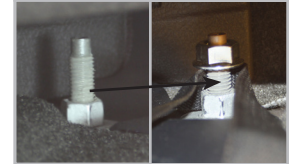
09-14 Ford F-150 SuperCrew (without subwoofer) Underseat Storage

Fits DU-HA Part Numbers

| | |
|-------|-------|
| 20100 | 20101 |
| 20075 | 20078 |
| 20076 | 20079 |
| 20077 | 20080 |

Installation Instructions:

- 1 Flip up the seat bottoms of the back seats.
- 2 Position the DU-HA under the back seats with the cut out slots in the DU-HA facing towards the truck bed.
- 3 Thread each of the (D) Nylon Straps through the slots in the back of the DU-HA, and around the large bolts sticking up underneath the passenger and driver's side back seats, then screw one (E) Flange Nut – 1/2" onto each of the large bolts (as pictured).
- 4 Secure each nylon strap by threading the strap up through the bottom of the back slot of the buckle and down through the front slot of the buckle (as pictured). Tighten. The nylon straps help secure the DU-HA in the truck.
- 5 Install the (B) Foam Organizer / Gun Rack and (C) Plastic Stiffeners by sliding them into the channel slots inside the DU-HA, making sure the high side of each piece faces towards the front (as pictured).
- 6 Pull the lever under each back seat to return the seat bottoms to the down position.
Please note: When the seat is down, it does not latch. The seat is designed to latch only when it is up. (To test this, you may put the seat down without the DU-HA underneath. Note that it does not latch down.)



Ribs on buckle should face up. Thread strap through buckle as shown.

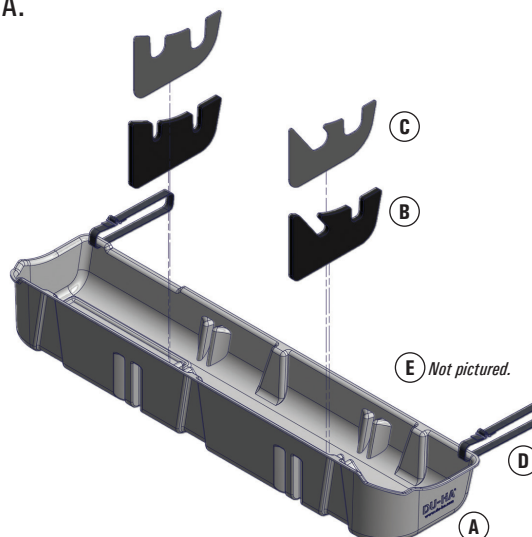


This is how the DU-HA should look installed under the back seat.

Safety Instructions:

Warning: Seat bottoms must be down at all times while vehicle is moving. Make sure the DU-HA is secured in the vehicle according to installation instructions. Do not store explosives or hazardous materials in the DU-HA. Do not place loaded guns in the DU-HA.

For further instructions refer to truck owners manual or contact DU-HA, Inc.



| Part | Description | Qty |
|------|---------------------------|-----|
| A | DU-HA Storage Unit | 1 |
| B | Foam Organizer / Gun Rack | 2 |
| C | Plastic Stiffener | 2 |
| D | Nylon Strap with Buckle | 2 |
| E | Flange Nut – 1/2" | 2 |