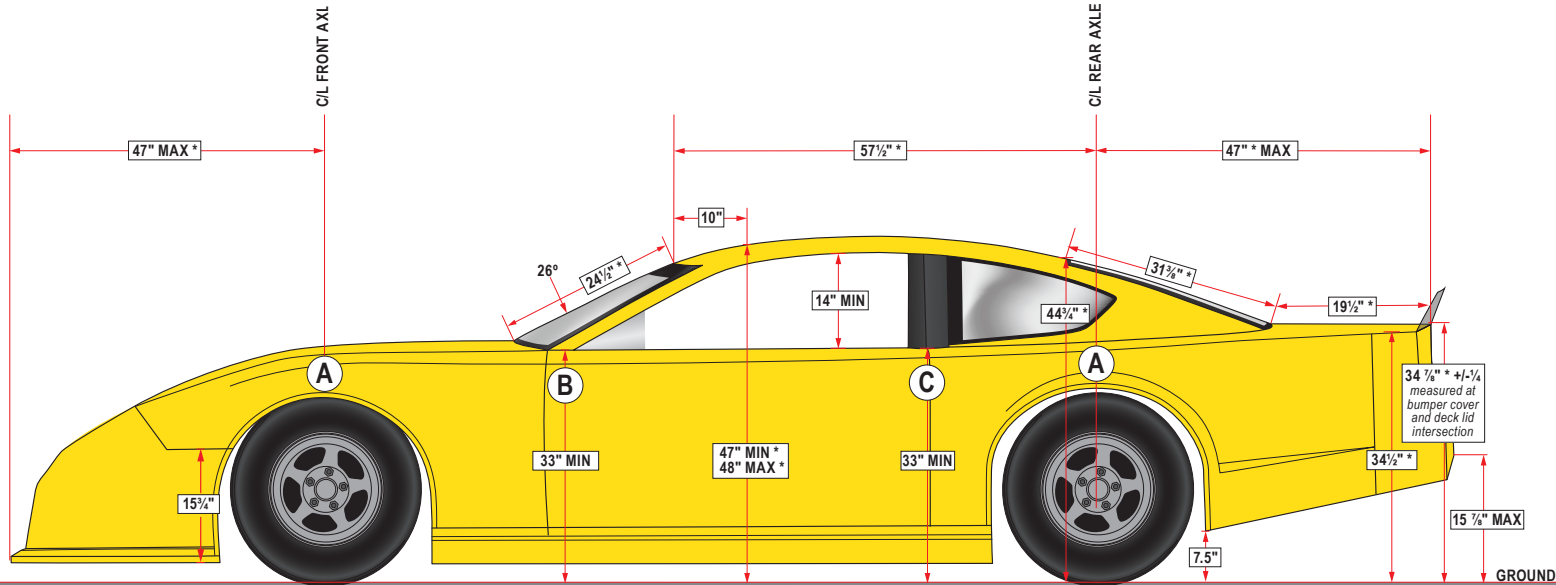


# 2019 LATE MODEL BODY DIMENSIONS

The greenhouse style simplifies installation. Full tech inspection devices available from Five Star (Printed Rules, Referee & Templates) Mount your own body using our Roof Locating Fixture for ease of installation in your own shop!



CHASSIS	ROOF HEIGHT	TREAD WIDTH	WHEELBASE
Offset / Straight Rail	47"	66" MAX	101" - 106"

## WIDTHS

**A** 79½" MAX

BODY WIDTH:  
Measured at wheel wells

**B** 68"

DOOR TO DOOR WIDTH:  
Measured at A-posts and  
inside edges of doors,  
measured through car

**C** 67" MAX

DOOR TO DOOR WIDTH:  
Measured at B-posts and  
inside edges of doors,  
measured through car

## NOTES:

- If the Roof Height (10" back from windshield), Fender Height (rear), Door Height (rear), Quarter Panel and Bumper Cover Height dimensions are higher than the stated dimensions, all five must increase by the same amount.
- Must fit centerline template within allowable tolerance.

\* Measured at the centerline.

