

BAKFlip

BEST-SELLING HARD FOLDING COVER

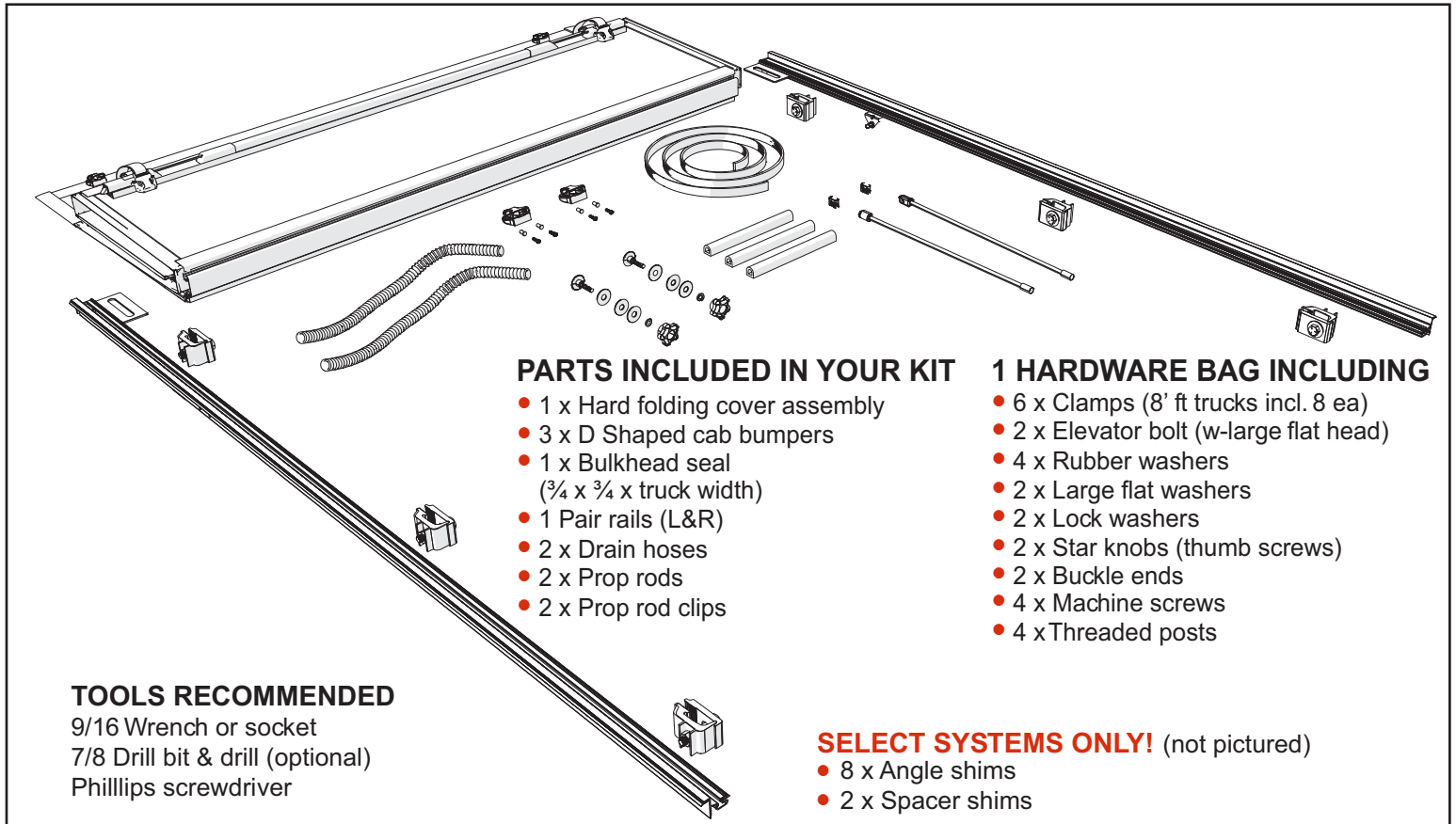
G2 F1 FIBER MAX MX4

INSTALLATION SHEET

Any damaged or missing parts?

Parts will be shipped to you directly. Call 844-779-8986

Mon - Fri 8:30 am - 7 pm EST or email support@bakindustries.com



PARTS INCLUDED IN YOUR KIT

- 1 x Hard folding cover assembly
- 3 x D Shaped cab bumpers
- 1 x Bulkhead seal (3/4 x 3/4 x truck width)
- 1 Pair rails (L&R)
- 2 x Drain hoses
- 2 x Prop rods
- 2 x Prop rod clips

1 HARDWARE BAG INCLUDING

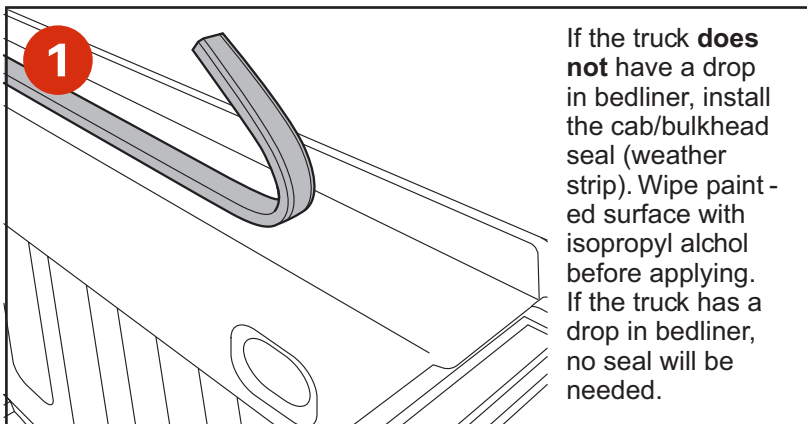
- 6 x Clamps (8' ft trucks incl. 8 ea)
- 2 x Elevator bolt (w-large flat head)
- 4 x Rubber washers
- 2 x Large flat washers
- 2 x Lock washers
- 2 x Star knobs (thumb screws)
- 2 x Buckle ends
- 4 x Machine screws
- 4 x Threaded posts

TOOLS RECOMMENDED

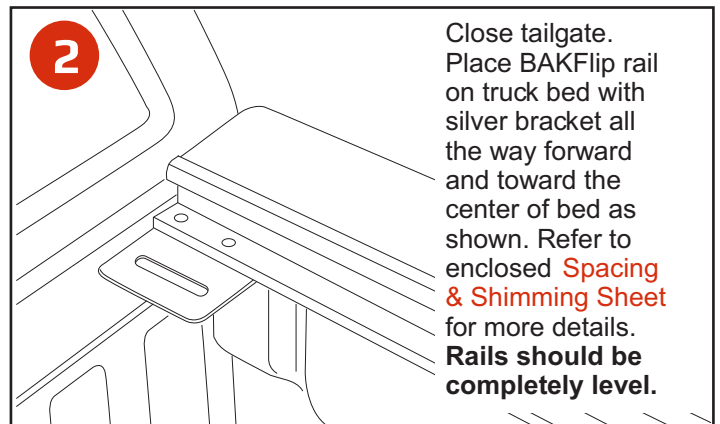
- 9/16 Wrench or socket
- 7/8 Drill bit & drill (optional)
- Phillips screwdriver

SELECT SYSTEMS ONLY! (not pictured)

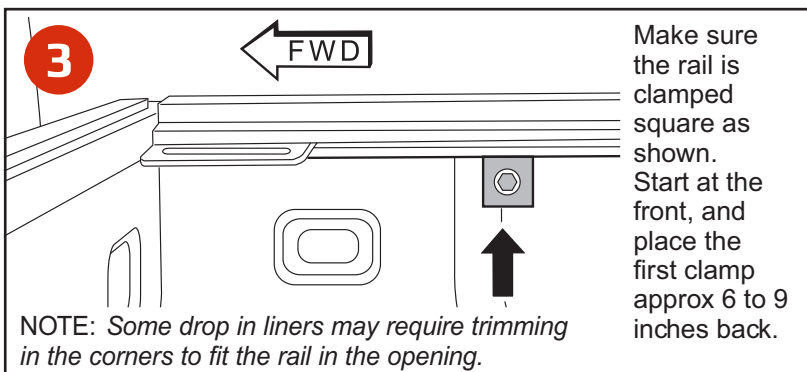
- 8 x Angle shims
- 2 x Spacer shims



1 If the truck **does not** have a drop in bedliner, install the cab/bulkhead seal (weather strip). Wipe painted surface with isopropyl alcohol before applying. If the truck has a drop in bedliner, no seal will be needed.

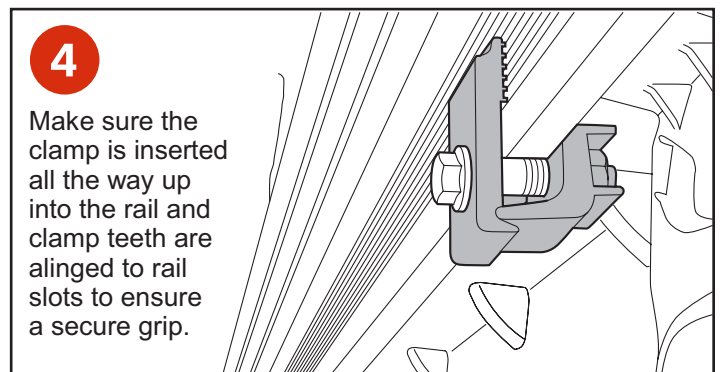


2 Close tailgate. Place BAKFlip rail on truck bed with silver bracket all the way forward and toward the center of bed as shown. Refer to enclosed **Spacing & Shimming Sheet** for more details. **Rails should be completely level.**

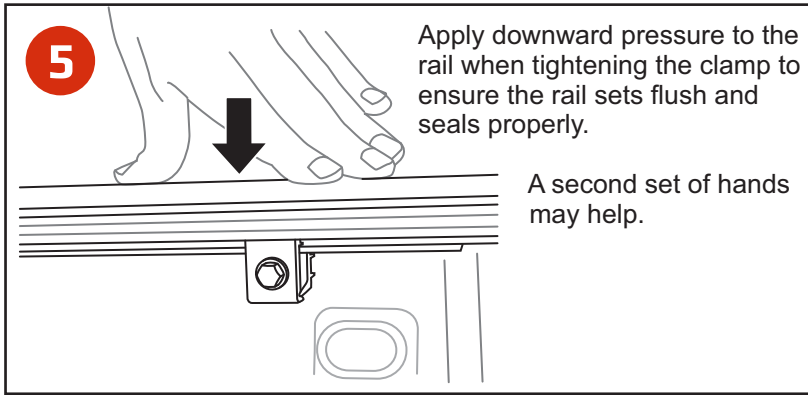


3 **NOTE:** Some drop in liners may require trimming in the corners to fit the rail in the opening.

Make sure the rail is clamped square as shown. Start at the front, and place the first clamp approx 6 to 9 inches back.

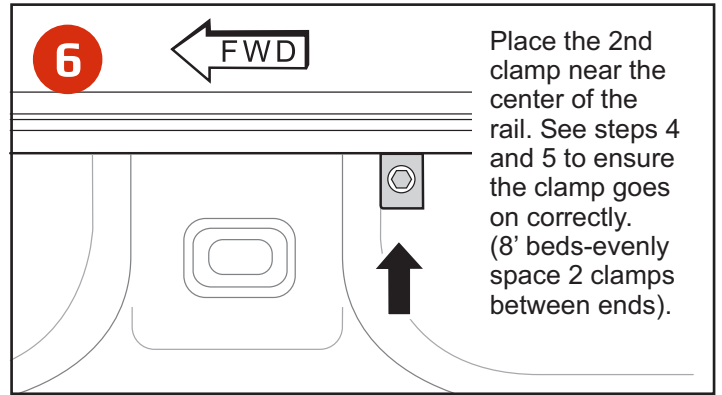


4 Make sure the clamp is inserted all the way up into the rail and clamp teeth are aligned to rail slots to ensure a secure grip.



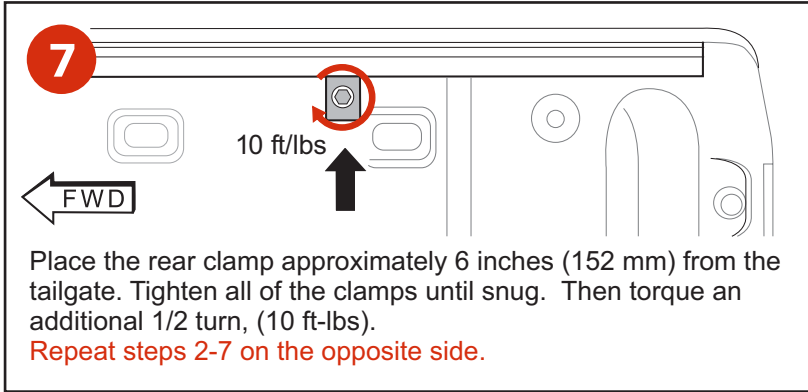
5 Apply downward pressure to the rail when tightening the clamp to ensure the rail sets flush and seals properly.

A second set of hands may help.



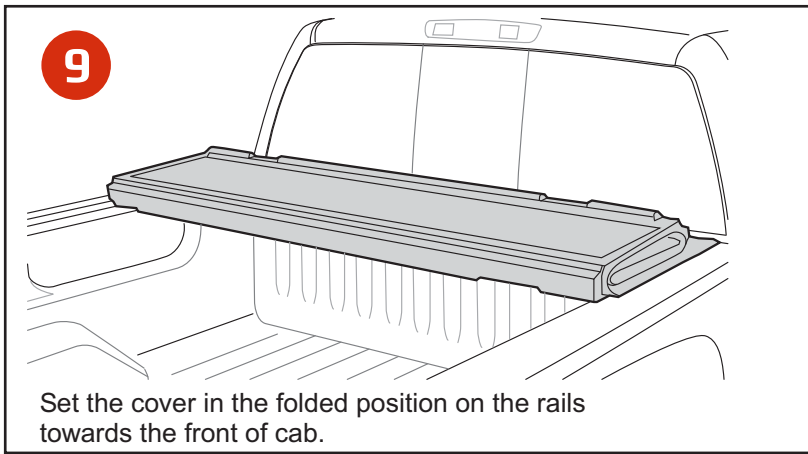
6 FWD

Place the 2nd clamp near the center of the rail. See steps 4 and 5 to ensure the clamp goes on correctly. (8' beds-evenly space 2 clamps between ends).



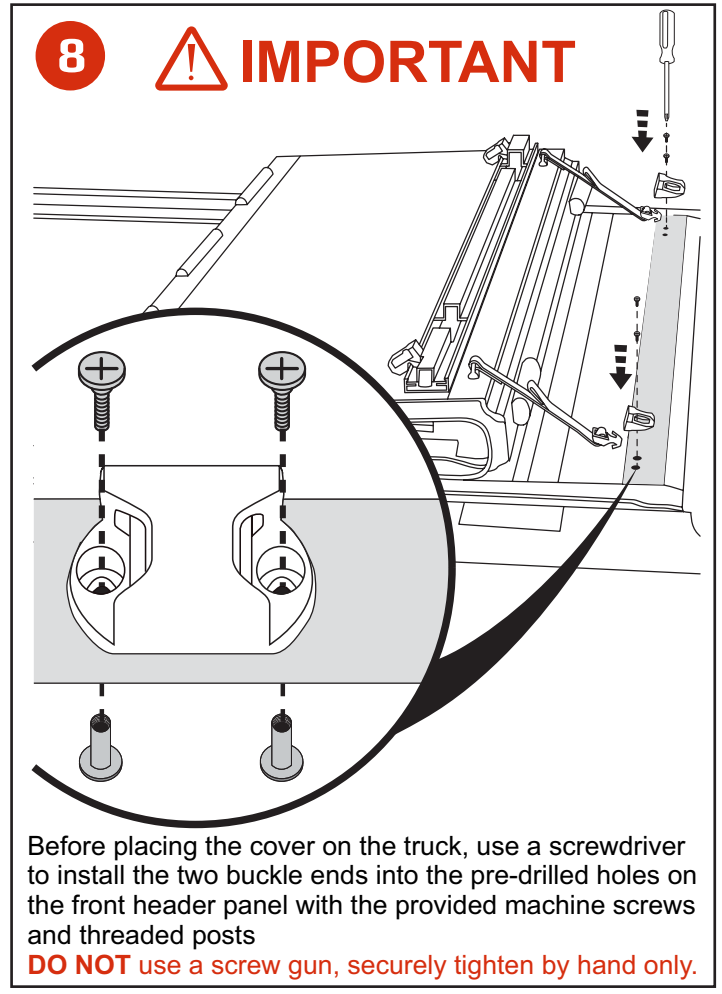
7 10 ft/lbs FWD

Place the rear clamp approximately 6 inches (152 mm) from the tailgate. Tighten all of the clamps until snug. Then torque an additional 1/2 turn, (10 ft-lbs). Repeat steps 2-7 on the opposite side.



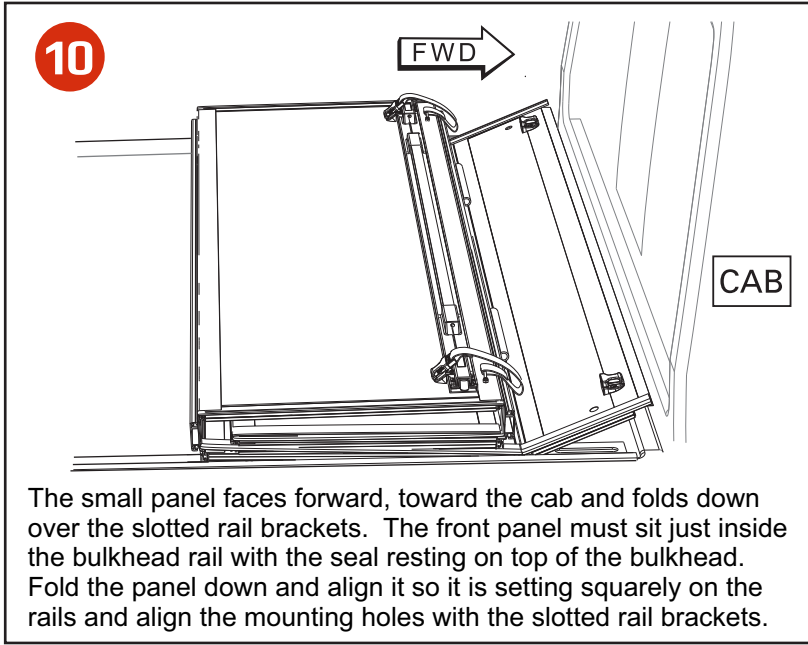
9

Set the cover in the folded position on the rails towards the front of cab.



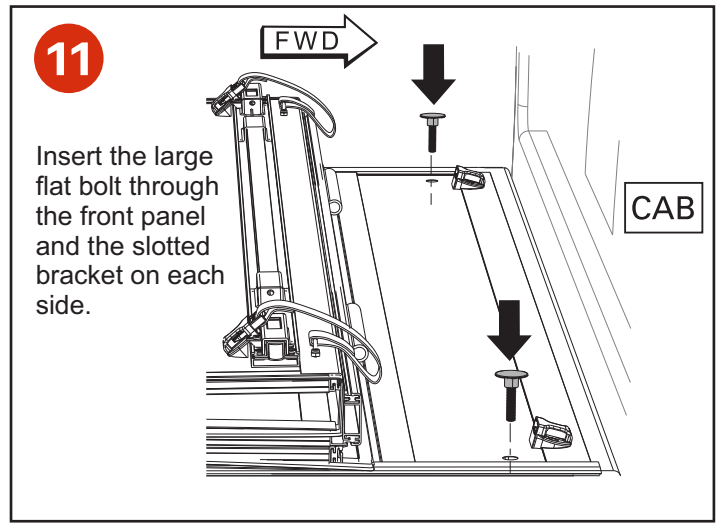
8 **IMPORTANT**

Before placing the cover on the truck, use a screwdriver to install the two buckle ends into the pre-drilled holes on the front header panel with the provided machine screws and threaded posts. **DO NOT use a screw gun, securely tighten by hand only.**



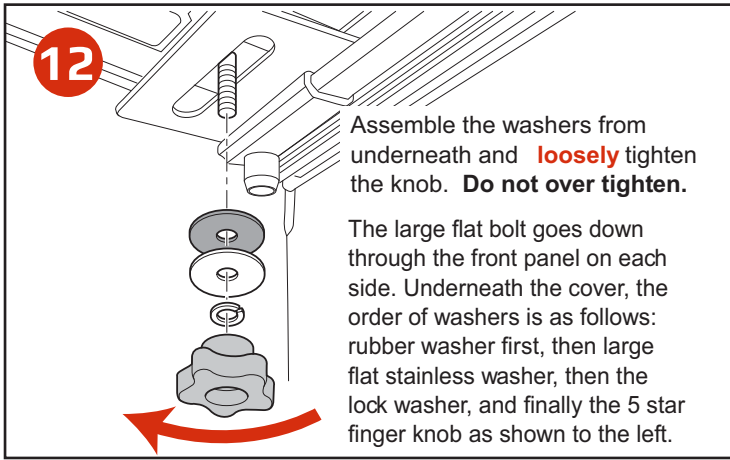
10 FWD CAB

The small panel faces forward, toward the cab and folds down over the slotted rail brackets. The front panel must sit just inside the bulkhead rail with the seal resting on top of the bulkhead. Fold the panel down and align it so it is setting squarely on the rails and align the mounting holes with the slotted rail brackets.



11 FWD CAB

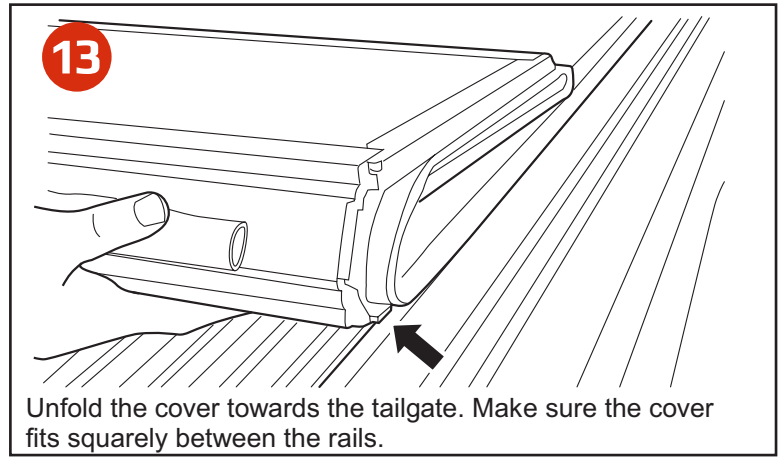
Insert the large flat bolt through the front panel and the slotted bracket on each side.



12

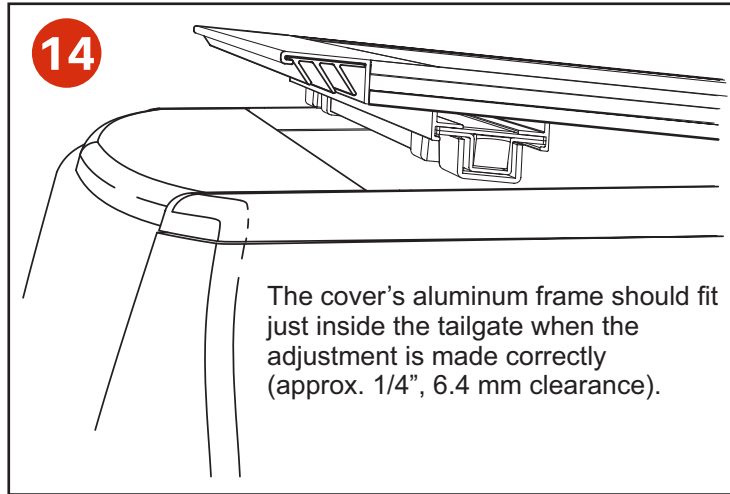
Assemble the washers from underneath and **loosely** tighten the knob. **Do not over tighten.**

The large flat bolt goes down through the front panel on each side. Underneath the cover, the order of washers is as follows: rubber washer first, then large flat stainless washer, then the lock washer, and finally the 5 star finger knob as shown to the left.



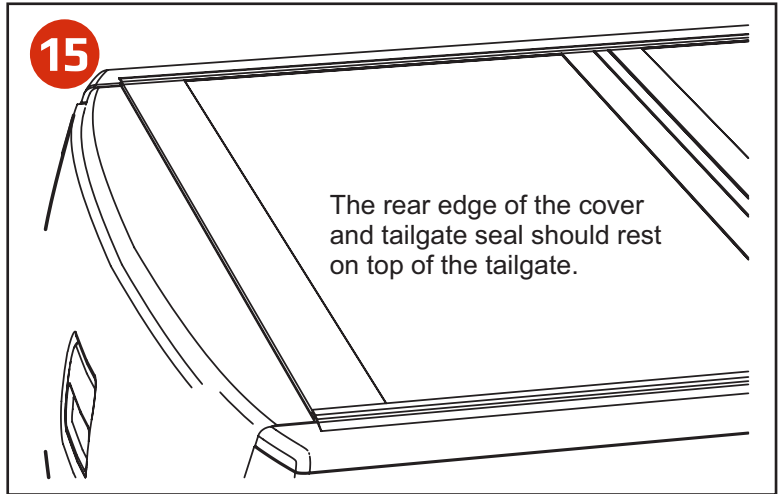
13

Unfold the cover towards the tailgate. Make sure the cover fits squarely between the rails.



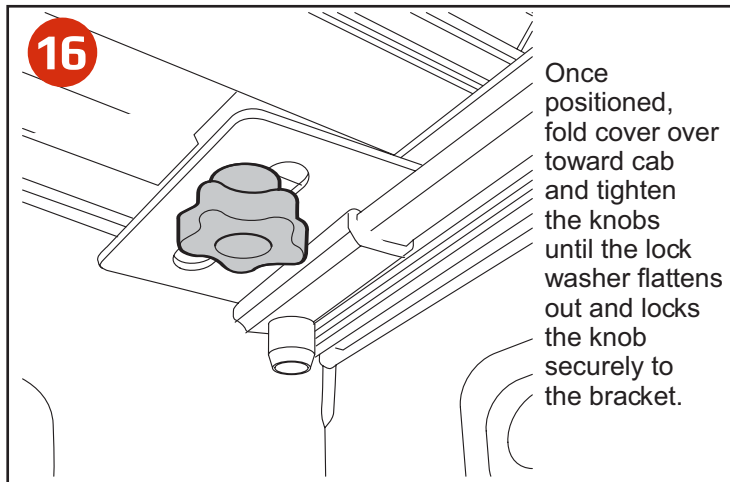
14

The cover's aluminum frame should fit just inside the tailgate when the adjustment is made correctly (approx. 1/4", 6.4 mm clearance).



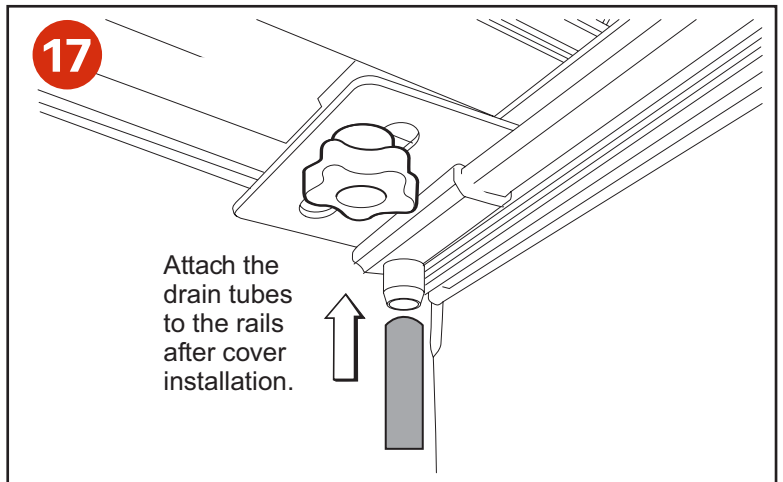
15

The rear edge of the cover and tailgate seal should rest on top of the tailgate.



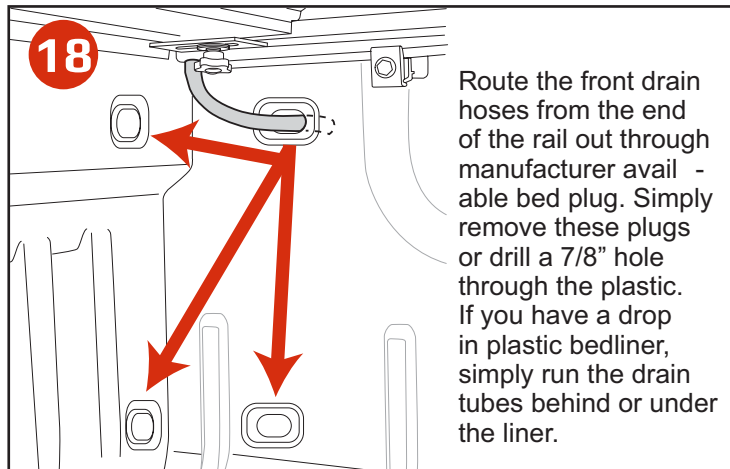
16

Once positioned, fold cover over toward cab and tighten the knobs until the lock washer flattens out and locks the knob securely to the bracket.



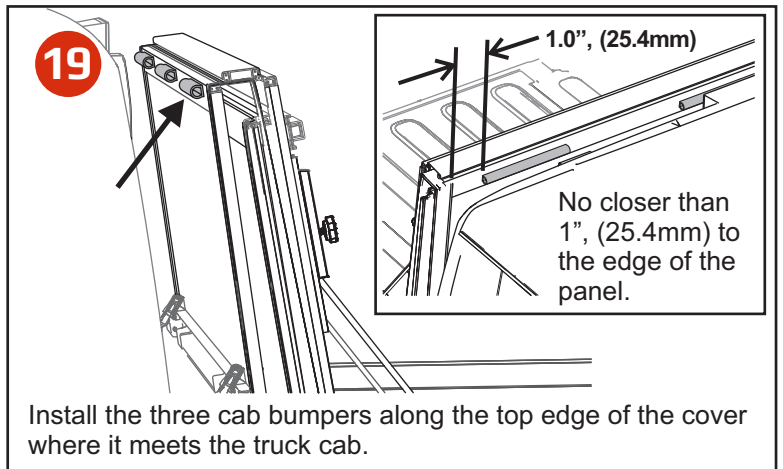
17

Attach the drain tubes to the rails after cover installation.



18

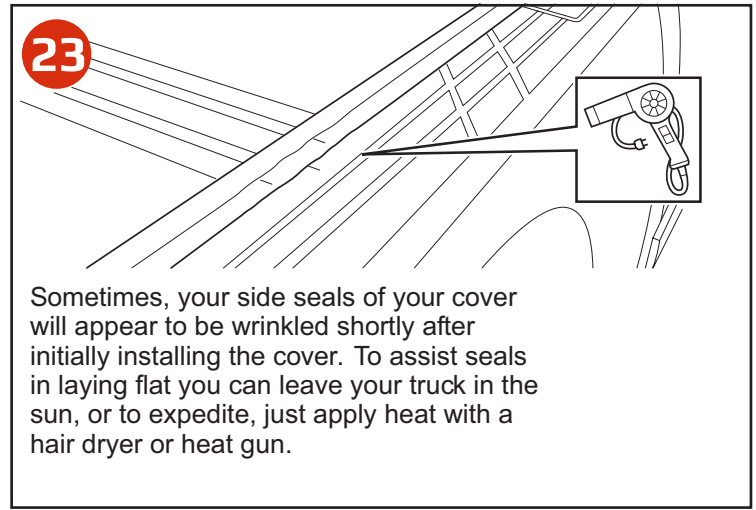
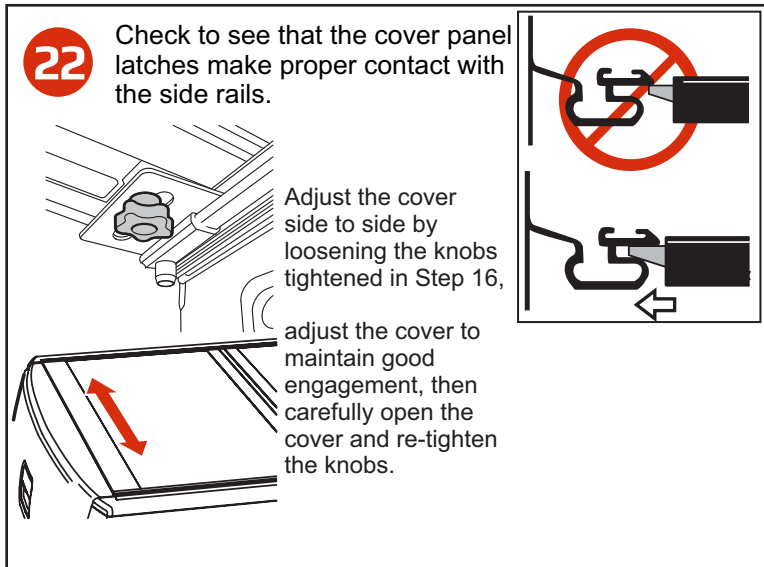
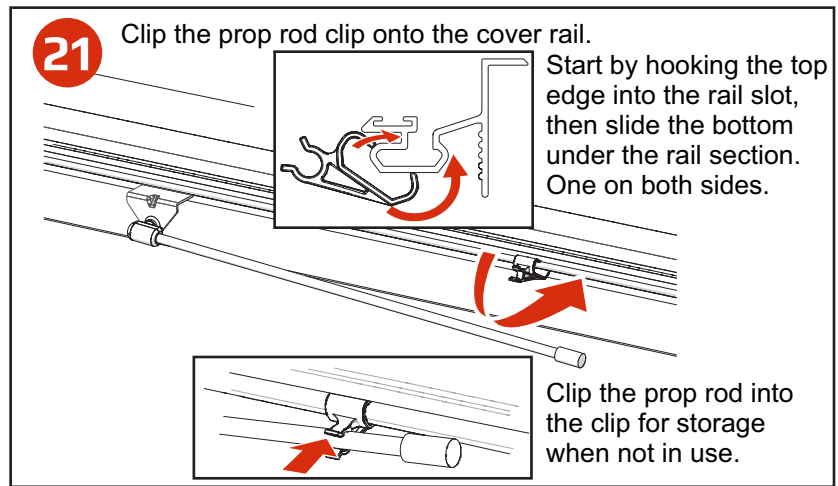
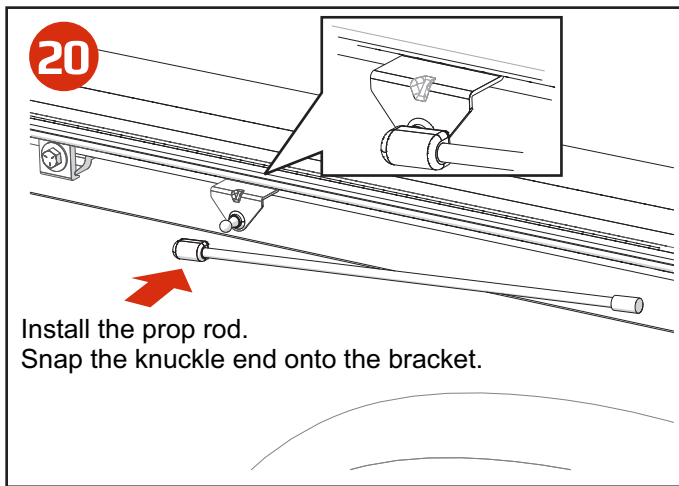
Route the front drain hoses from the end of the rail out through manufacturer available bed plug. Simply remove these plugs or drill a 7/8" hole through the plastic. If you have a drop in plastic bedliner, simply run the drain tubes behind or under the liner.



19

Install the three cab bumpers along the top edge of the cover where it meets the truck cab.

1.0", (25.4mm)
No closer than 1", (25.4mm) to the edge of the panel.



IMPORTANT safe operation and use

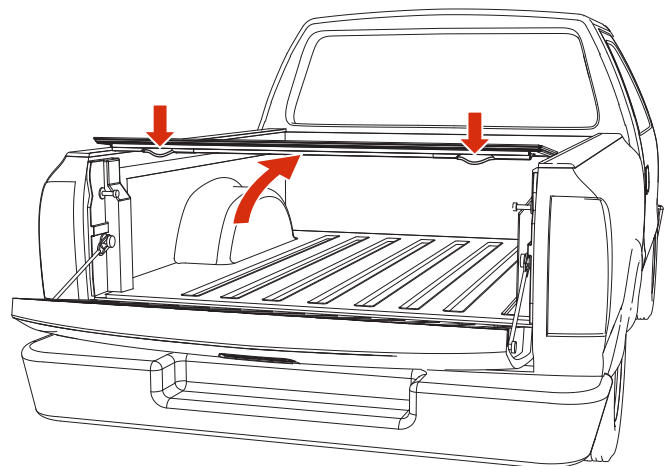
Tail Panel Operation

TO CLOSE THE TAILGATE PANEL

- The tailgate can be closed with the cover either up or down for universal operation

TO OPEN THE TAILGATE PANEL

- Open the tailgate and reach under the panel for the cable at the ends of the panel housing
- Pull down on either cable to release both rear latches with one hand while lifting the panel with the other hand.



**DO NOT ATTEMPT TO DRIVE WITH THE TAIL PANEL
IN THE PARTIALLY OPEN POSITION!**

IMPORTANT

safe operation and use

IMPORTANT NOTICE

While driving, cover must be completely flat and secure with all latches in the closed position OR completely folded up (all panels) and secured at the cab. **DO NOT DRIVE** with cover partially opened.

Tonneau Cover Positions While Operating Vehicle

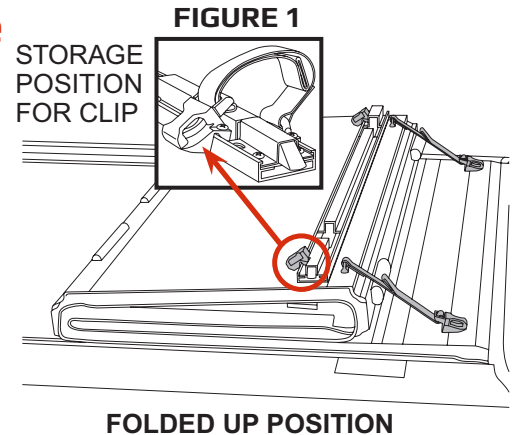
Prior to vehicle operation, tonneau cover MUST be properly secured.

CLOSED POSITION

All panels must be closed and FULLY LATCHED to tonneau side rail. All panels must be flat and latches engaged

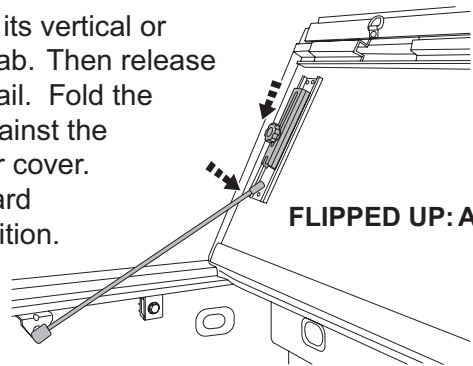
FOLDED UP POSITION

To drive with your cover in the folded up position, simply make use of the provided tie down straps and buckles provided with your cover. Ensure BOTH buckle clips are fully inserted into the buckle ends located on the front header panel of the cover and adjust the straps to ensure the cover is secure during vehicle operation. The clips should be secured in the storage position, as shown in Figure 1, when not in use.

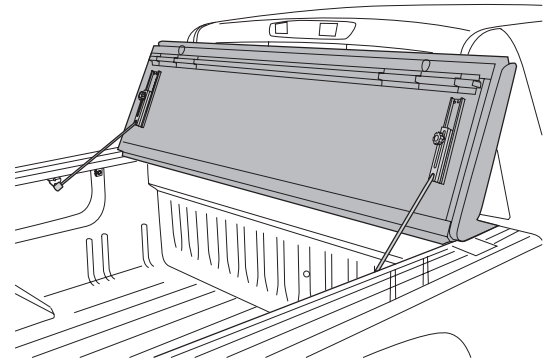


FLIPPED UP POSITION

A) Fold the cover open and lift it until its vertical or past 90 degrees towards your truck cab. Then release the prop rod that is attached to your rail. Fold the prop rod over and position it firmly against the vertical plate on the underside of your cover. Then slide the prop rod locks downward and tighten the knobs to lock into position. Do this on both sides of the cover.



B) Your cover should be firmly in position with little to no movement once the prop rods are locked.



Additional Important Operating Tips

- The bed cover MUST be free of foreign material including snow and ice before opening panels.
- Do NOT tow your vehicle from the rear with the bed cover on your truck.
- Do NOT operate vehicle with objects on top of cover.

FAILURE TO FOLLOW THESE CAUTIONS MAY RESULT IN SEVERE DAMAGE AND WILL VOID YOUR WARRANTY!



Remove any snow or foreign matter before folding cover.



Do NOT tow your vehicle from the rear with this cover on your truck.

Warranty

BAK® Industries (“BAK”) warrants your BAKFlip Hard Folding Cover to be structurally free from defects in material and workmanship for the period as outlined in the table below from the retail date of purchase. Warranty registration must be on file and/or proof of original purchase (detailed and dated receipt) required for warranty service. Warranty is non-transferable and applies to the original purchaser of the BAK product only.

PRODUCT	WARRANTY PERIOD	REGISTER YOUR WARRANTY NOW AT BAKINDUSTRIES.COM
BAKFlip G2	3 Year Limited Warranty	
BAKFlip MX4	5 Year Limited Warranty	
BAKFlip FiberMax	3 Year Limited Warranty	
BAKFlip F1	5 Year Limited Warranty	

BAK reserves the right to determine whether a product needs to be repaired or replaced. No labor or service allowance is given or implied. The warranty will be void if the product has been damaged by accident, unreasonable use, neglect, improper service/installation/removal, modifications, acts of God or normal wear and tear or other causes not arising out of defective materials or workmanship. BAK assumes no liability for injury, loss, incidental or consequential damages. BAK reserves the right to substitute an entire replacement system or provide other remedies than those listed in this warranty for discontinued products or other reasons. Shipping charges will apply for any repair or replacement.

BAK is committed to providing you with our best service at all times. Please feel free to contact us should you require any assistance with your BAK product.

CARE AND MAINTENANCE

BAK Flip tonneaus are made from durable materials and require simple care to ensure a long life of performing well and looking great.

Cleaning the Top (Washing)

Standard automotive soap and water with a soft sponge or cloth is recommended for cleaning. Shammy dry to keep the finish polished and brilliant. Wax is NOT recommended as it tends to fill in cracks and crevices, which may affect the textured panel finish. Do NOT use any harsh cleaners or abrasives.

Treating the Vinyl Top

3M 303 Aerospace Protectant may be used to keep the vinyl surface clean and protected from the elements and will also remove any water spots that may have developed. 303 Aerospace not only protects against fading, discoloration and cracking from harmful UV rays, but repels dust and stains. Simply spray on and wipe dry for a beautiful, matte finish that protects your cover from road grime and dust.

Maintenance

It is recommended that you periodically check your cover is securely attached to your truck bed. Inspect the clamps and front mounting bolts to ensure they were properly installed and have not come loose or knocked out of adjustment during operation. Covers that are used with high frequency or that are subject to the vibrations and impact from rough roadways can cause the cover to require adjustment.

Lubricating the Latches

It is recommended that you periodically inspect and service the latches on each panel. Clean away any excess dirt or grime and lubricate with silicone spray. Ensure the latches move freely in and out to properly engage the side rail and provide proper performance with optimum security. Be careful not to overspray the cover. Wipe away any excess around the latch location.