

# **INSTALLATION INSTRUCTIONS**

## **MSD LS Coil Harness PN 88867**

**Parts Included:**

1 - Harness  
1 - Fuse Holder

**Parts Bag:**

1 - 20a Fuse  
1 - Butt Connector

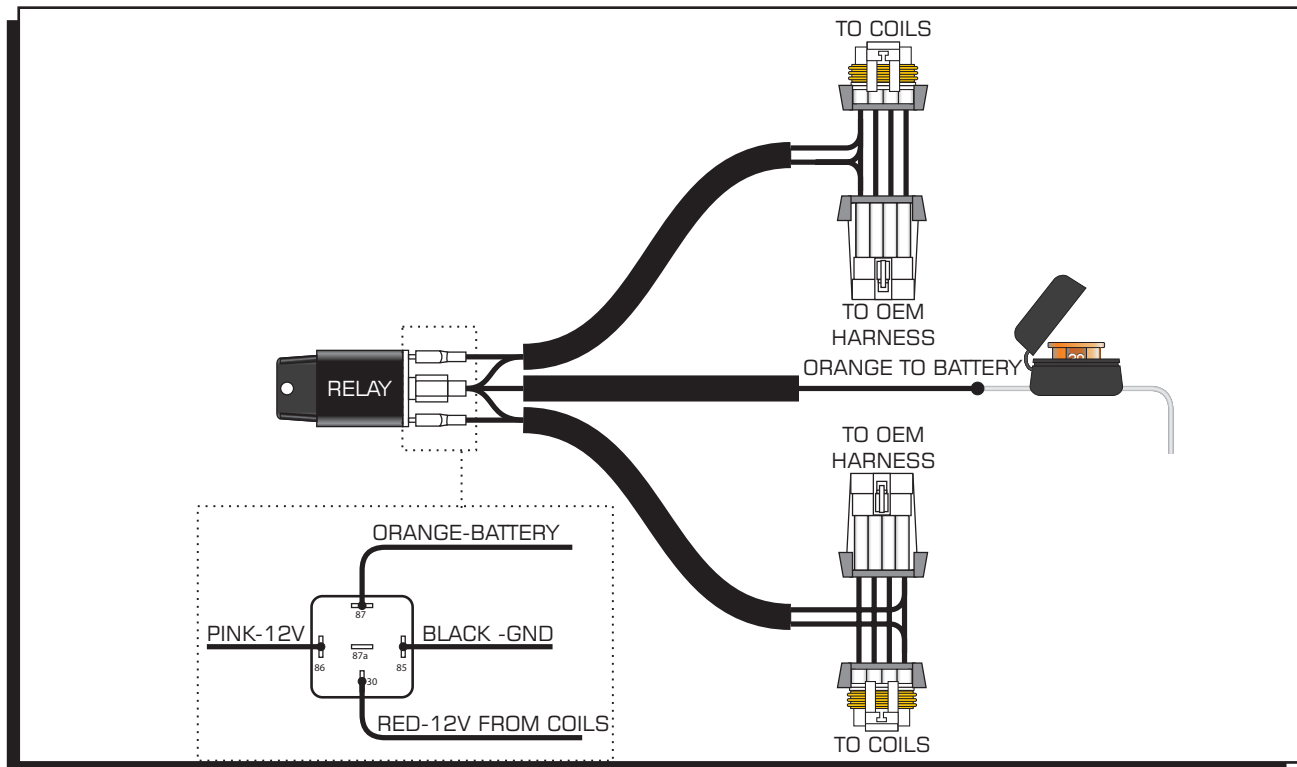
1 - Ring-lug

This harness has been made by MSD to correct a check engine light issue that can arise in vehicles using the MSD LS Coil Packs on their engines. This harness will supply additional battery voltage to the coils in order to fire the coils properly and not drain other engine systems of power. This is necessary do to the varying wire gauges used on production vehicles.

### **INSTALLATION**

1. Locate the OEM harness that connects to the coil harnesses on each side of the top of the engine,
2. Unplug the coil harnesses from the OEM harness,
3. Use the new MSD harness to plug in and bridge between the OEM and coil harnesses,
4. Securely mount the attached relay,
5. Connect the included Orange wire to the positive battery terminal, and
6. Insert the included 20amp fuse into the box on the Orange wire.

**Note:** Be sure to always avoid heat sources, sharp objects, and sources of corrosives while routing any wires.

**Figure 1 Wiring.**

### Service

In case of malfunction, this MSD component will be repaired free of charge according to the terms of the warranty. When returning MSD components for warranty service, **Proof of Purchase** must be supplied for verification. After the warranty period has expired, repair service is based on a minimum and maximum fee.

**All returns must have a Return Material Authorization (RMA) number** issued to them before being returned. To obtain an RMA number please contact MSD Customer Service at 1 (888) MSD-7859 or visit our website at [www.msdpower.com/rma](http://www.msdpower.com/rma) to automatically obtain a number and shipping information.

When returning the unit for repair, leave all wires at the length in which you have them installed. Be sure to include a detailed account of any problems experienced, and what components and accessories are installed on the vehicle. The repaired unit will be returned as soon as possible using Ground shipping methods (ground shipping is covered by warranty). For more information, call MSD at (915) 855-7123. MSD technicians are available from 7:00 a.m. to 5:00 p.m. Monday - Friday (mountain time).

### Limited Warranty

MSD warrants this product to be free from defects in material and workmanship under its intended normal use\*, when properly installed and purchased from an authorized MSD dealer, for a period of one year from the date of the original purchase. This warranty is void for any products purchased through auction websites. If found to be defective as mentioned above, it will be repaired or replaced at the option of MSD. Any item that is covered under this warranty will be returned free of charge using Ground shipping methods.

This shall constitute the sole remedy of the purchaser and the sole liability of MSD. To the extent permitted by law, the foregoing is exclusive and in lieu of all other warranties or representation whether expressed or implied, including any implied warranty of merchantability or fitness. In no event shall MSD or its suppliers be liable for special or consequential damages.

\*Intended normal use means that this item is being used as was originally intended and for the original application as sold by MSD. Any modifications to this item or if it is used on an application other than what MSD markets the product, the warranty will be void. It is the sole responsibility of the customer to determine that this item will work for the application they are intending. MSD will accept no liability for custom applications.