

Installation Manual

1964-1967 Pontiac GTO

DOCUMENT #1-2079

©2018 ClassicAutoAir / 03.18





Congratulations...

You have just purchased the highest quality, best performing A/C system ever designed for your GTO.

To obtain the high level of performance and dependability our systems are known for, please pay close attention to the following instructions. Our installation steps and procedures are derived from a long history of research and development and the combined experience achieved thru thousands of successful installations (and feedback from customers like you). Please remember that our #1 goal is that you'll have a successful installation and a system that performs at a very high level for many years to come.

Before starting, read the instructions carefully, from beginning to end, and follow the proper sequence. On the next page you'll find a safety and general checklist that you should read before starting your installation.

Again, thank you from our entire staff.



Check List, Pre-Installation:

- Before beginning the installation check the shipping box for the correct components. YOUR BOXED UNIT INCLUDES A LIST OF MAJOR COMPONENTS AND A LIST OF BAGGED PARTS. We have a 5 stage check process to make sure you have everything you'll need.
- If your vehicle has been or is being modified, some procedures will need to be adjusted to fit your particular application.**
- A basic cleaning of the engine compartment and interior before beginning will make things go more smoothly.
- Check condition of engine mounts. Excessive engine movement can damage hoses to A/C and/or heater.
- Before starting, check vehicle interior electrical functions (interior lights, radio, horn, etc). Make a note of anything that does not work as it's supposed to. During the installation you might find the opportunity to repair or upgrade non-working or out of date components. When you're ready to start the installation, **DISCONNECT THE BATTERY FIRST.**
- Drain the radiator. Retain the coolant and reuse, or dispose of properly.
- SAFETY FIRST: Wear eye protection while drilling/cutting, deburr sharp edges, and never get in a hurry or force a part.
- Tools: Your installation only requires the basic tools everyone has in their garage, nothing exotic or specific to A/C or Heat equipment.

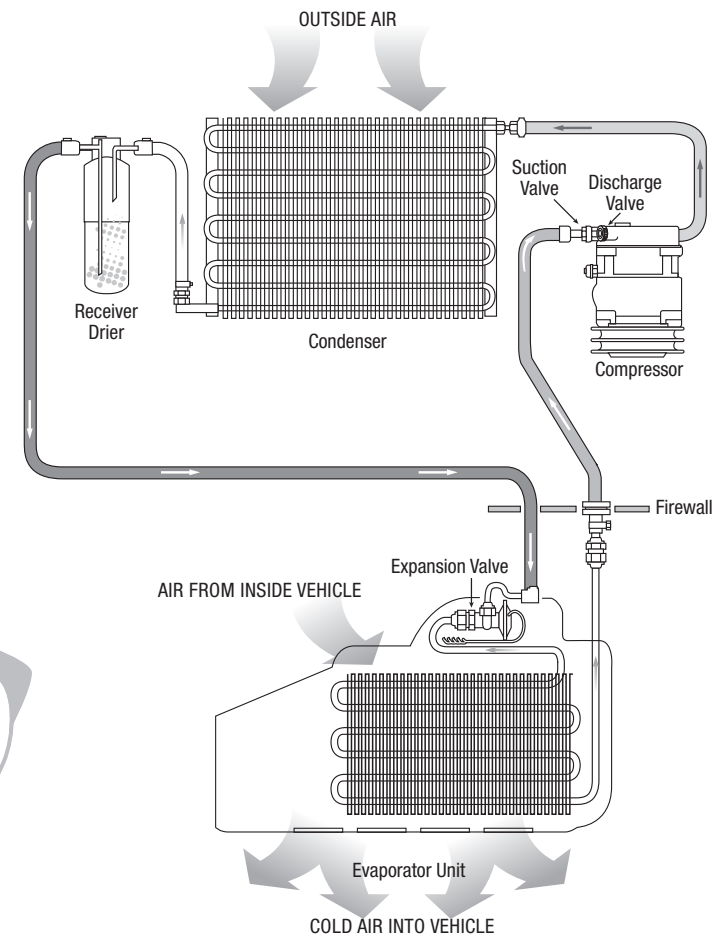
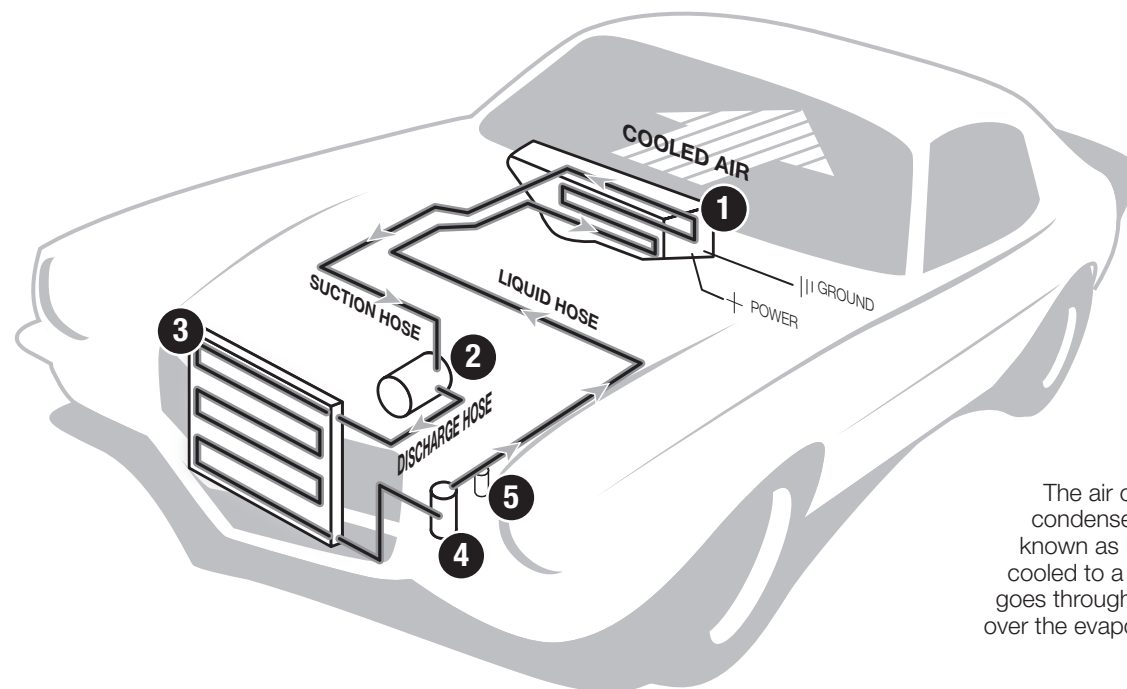
Procedures, During Installation:

- Fittings: Use one or two drops of mineral oil (supplied with your kit) on ALL rubber o-rings, threads and rear of bump for o-ring where female nut rides. Do not use thread tape or sealants.
- Measure twice (or more), cut once
- Should you have any technical questions, or feel you have defective components (or missing items), call us immediately, we will be glad to assist you. Our toll-free number is listed on every page, we're here to help!**

YOU NOW BEGIN THE INSTALLATION...

A Basic Overview of Automotive A/C....

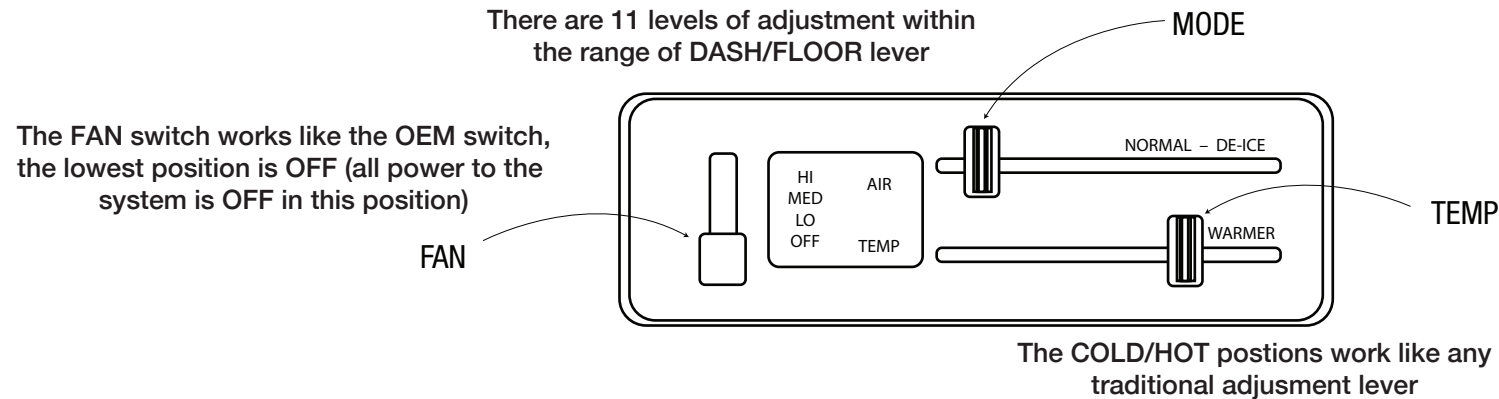
- 1 Evaporator with Blower Fan** In order to remove the heat from the air in the vehicle, the A/C evaporator allows the refrigerant to absorb the heat from the air passing over it. The blower fan moves cool air out into the car interior.
- 2 Compressor** The compressor pumps and circulates the refrigerant through the system.
- 3 Condenser** The condenser is a heat exchanger mounted at the front of the vehicle. Heat drawn out of the interior of the car is expelled here.
- 4 Receiver/Drier** The drier not only dries refrigerant, it also filters the refrigerant and stores it under certain operating conditions.
- 5 High Pressure Switch** A pressure switch is used to shut down the system if high or low pressure is detected, basically it acts as a safety switch.



The air conditioning system in your car is comprised of a compressor, condenser, expansion valve, receiver/drier, and evaporator. Refrigerant (also known as Freon) is compressed in the compressor. In the condenser, gas is cooled to a liquid state and travels to the expansion valve. As the liquid refrigerant goes through the expansion valve it rapidly cools in the evaporator. A fan blows over the evaporator and cools the air that blows out your vents

Control & Operating Instructions

Your new **Perfect Fit-Elite** system offers complete comfort capabilities in virtually every driving condition. This includes temperature control in all of the modes. This system also provides the ability to blend the air between Face, Heat, and Defrost modes simultaneously. To illustrate the various ways you can adjust the airflow direction and temperature - we have provided these handy illustrations and chart to show exactly how you can adjust your **Perfect Fit-Elite** for maximum comfort.



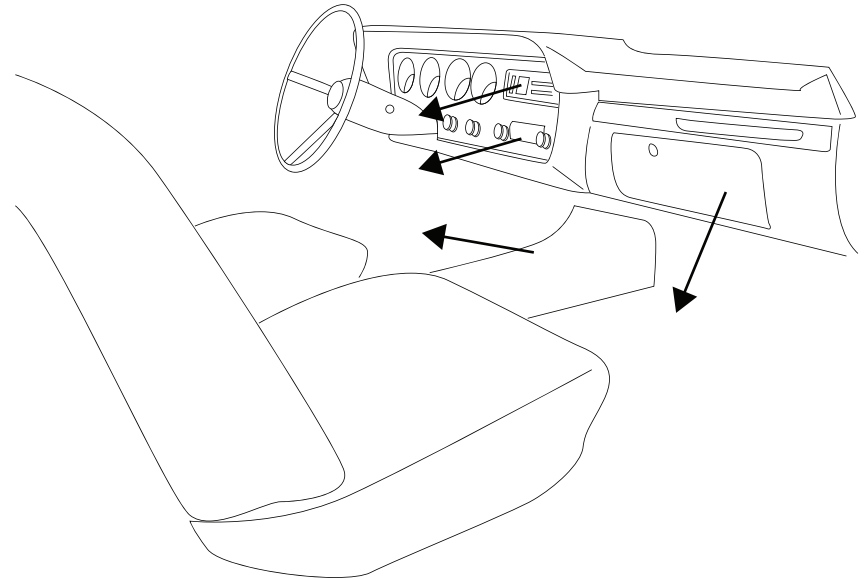
	FLOOR					DEF				DASH	
Lever Position	1	2	3	4	5	6	7	8	9	10	11
Distribution	Face A/C 100%	Face A/C 80%	Face A/C 60%	Face A/C 40%	Face A/C 20%	Defrost 100%	Floor 20%	Floor 60%	Floor 40%	Floor 80%	Floor 100%
Compressor State	ON					ON					



Remove Glovebox, Console (if equipped, optional) Radio, Heater Control Head, and Bezel, and set them aside for reinstall later (see figure 1).

The removal of the Original Heater Assembly can be accomplished by disconnecting three control cables. One is attached to the Heat/Defrost door (see figure 2). One is attached to the Temperature door, and one is attached to the Vent / Heat door (see figure 3). Disconnect the electrical harness from the assembly. Also remove attachment screw located in front of the air inlet (see figure 4).

Remove the OEM heater assembly, it will not be reinstalled.



When retaining parts it's a good idea to store parts in a zip lock bag, labeled with info where the parts came from and what size/type of tool is needed to reinstall. Cleaning the parts before you need to reinstall them is a good idea too.

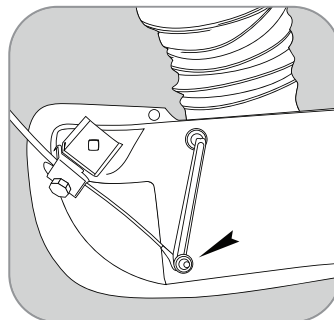


FIGURE 2

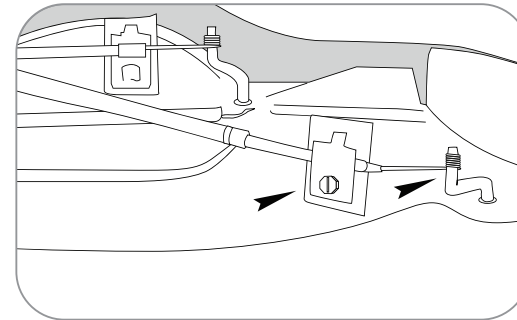


FIGURE 3

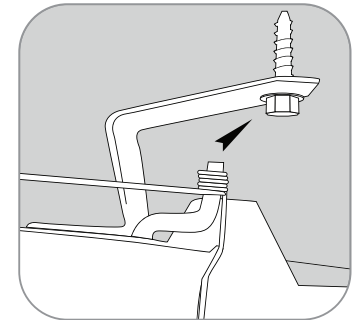
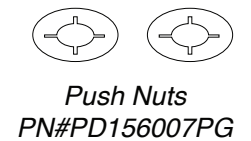
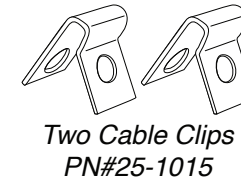
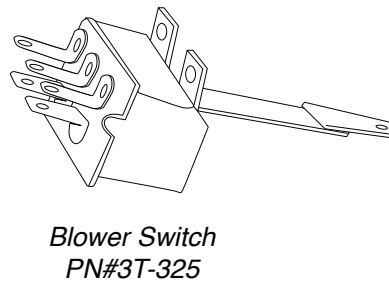
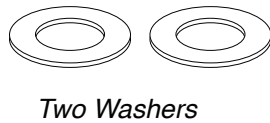
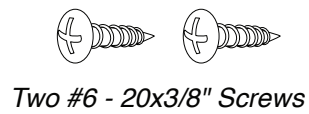
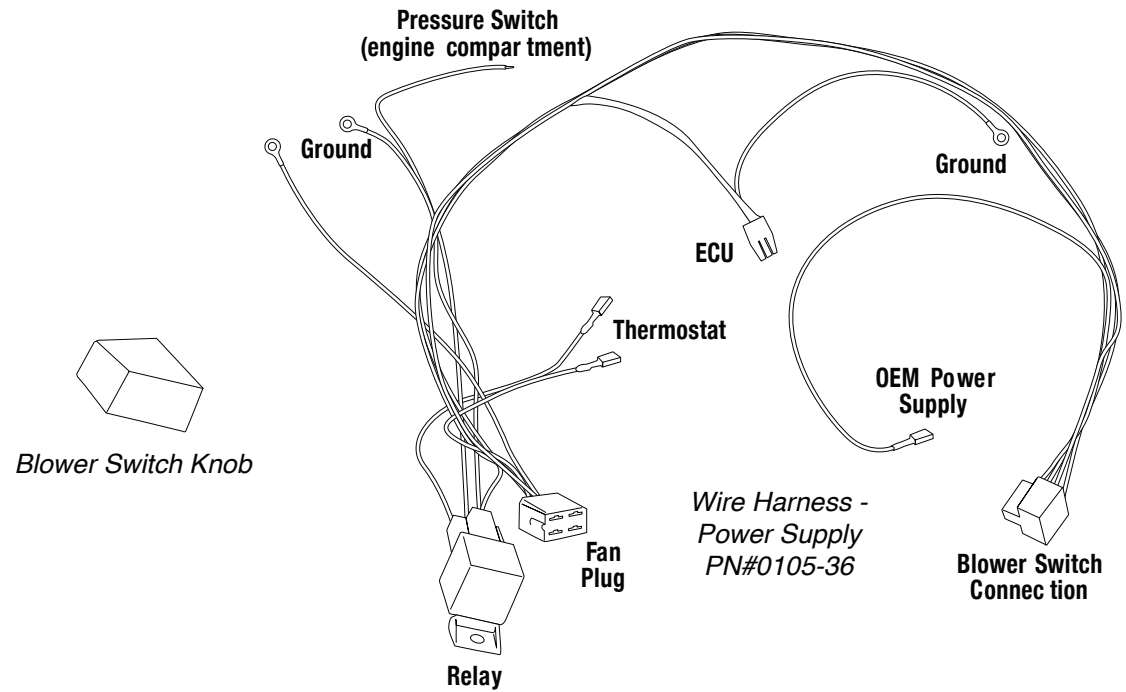
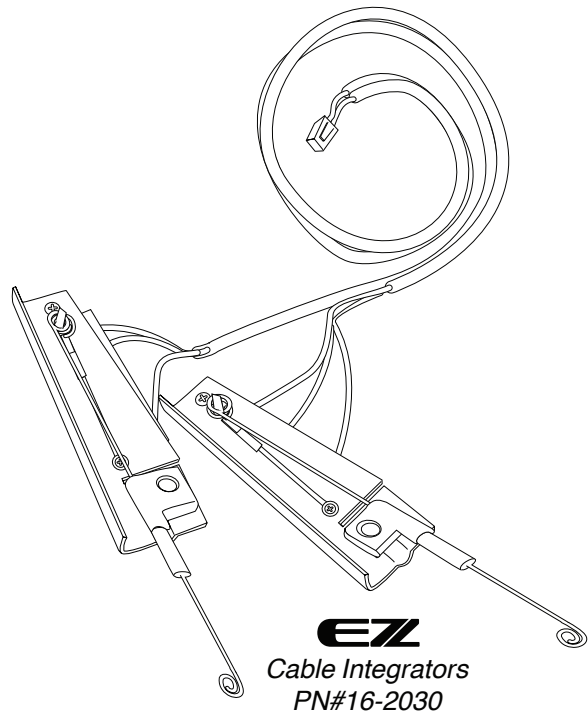


FIGURE 4

THESE ARE THE PARTS YOU WILL FIND BAG KIT A

You will use all of these parts and hardware during the next series of installation steps.



NOTE: Illustrations NOT shown actual size

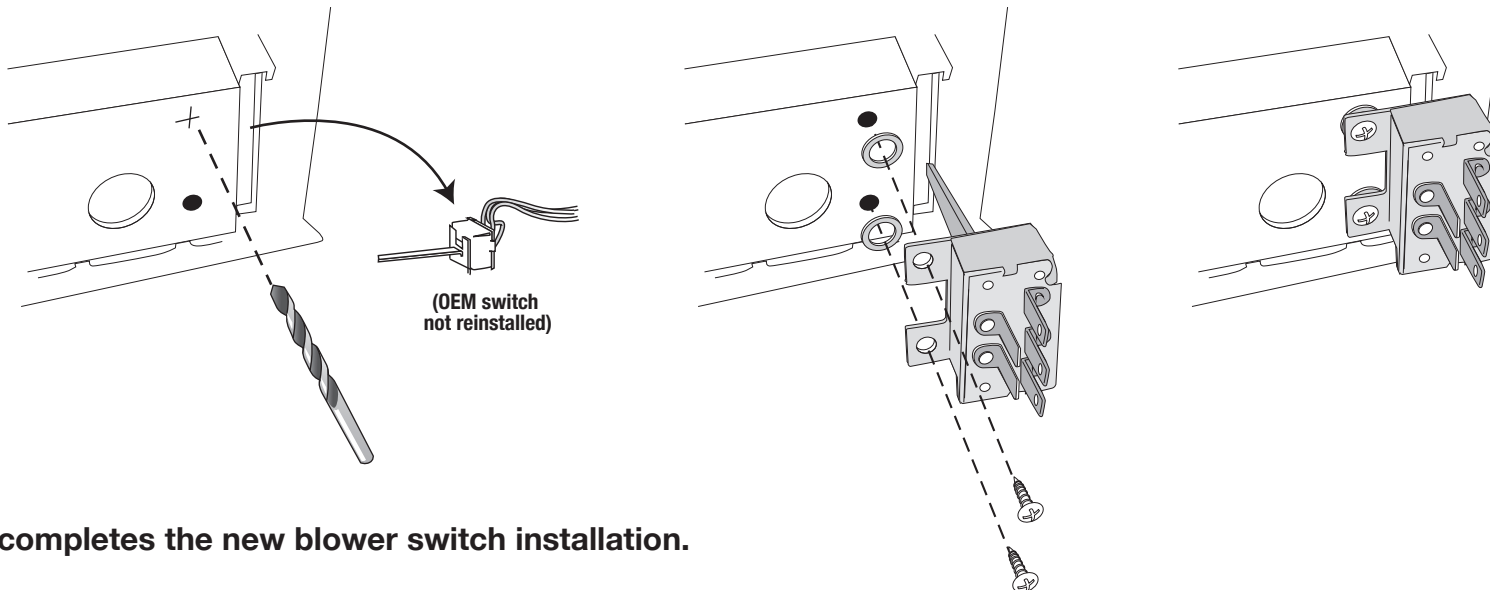
Modifying the Heater Control Head

1) Remove the OEM blower switch knob. Retain the screws, you will use them again shortly. Remove the control cables and the original blower switch and set aside (these will not be reused). Also, you will need to remove the two OEM plastic cable cams (as shown to the right).

2) You will need to drill one new hole in order to attach the new blower switch. You can use the new switch as a guide as to where to drill the new hole. Drill a 1/8" dia. hole.

3) Attach the new blower switch with bracket as shown below, utilizing the included two #6 - 20x3/8" screws, and use the two included washers under the bracket also.

4) Attach the new blower switch knob.



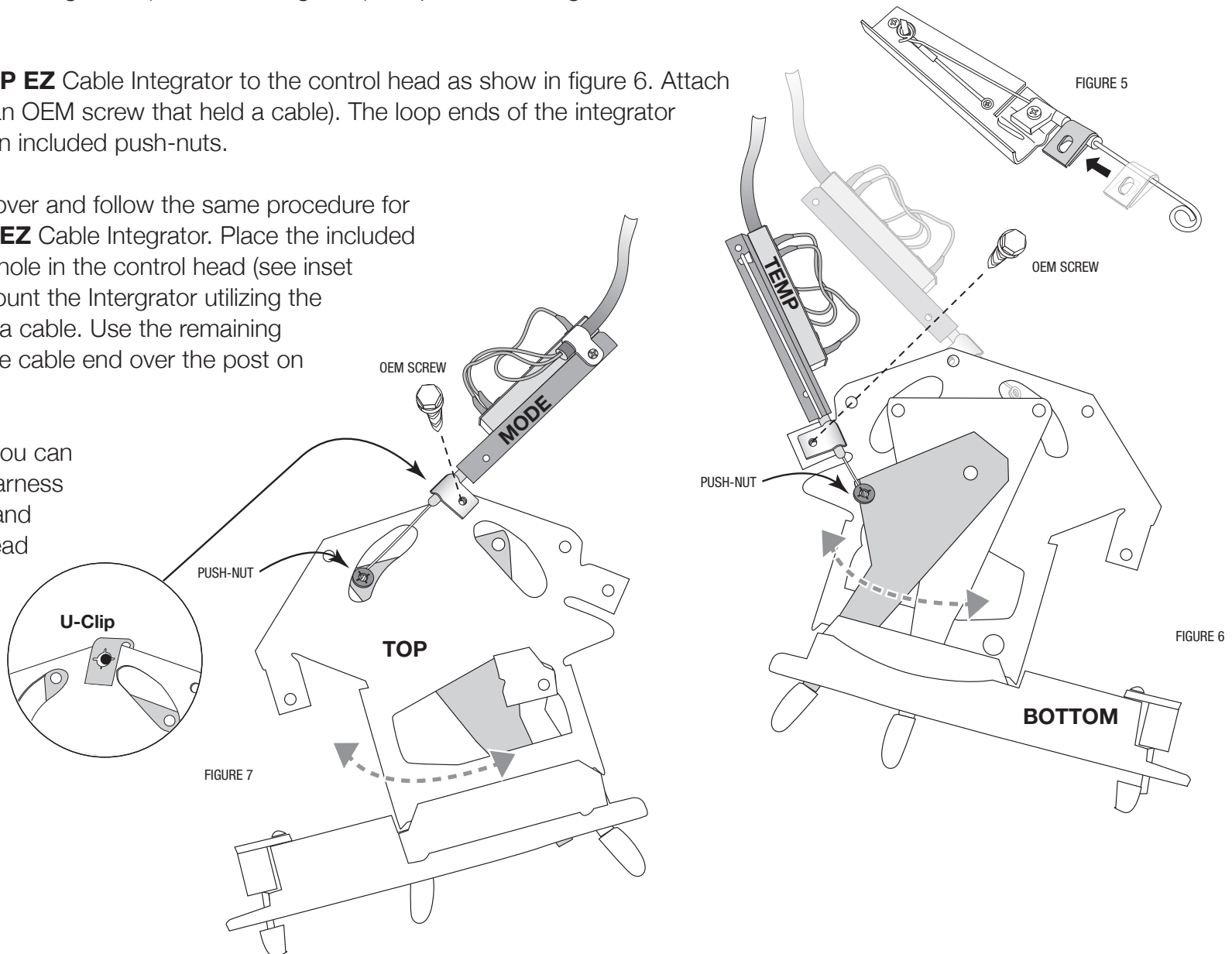
This completes the new blower switch installation.

Preparing the EZ Cable Integrators for installation: First place the included cable clips over the ends of the EZ Integrators (as shown in figure 5). Prepare both integrators the same way.

Next, attach the **TEMP EZ** Cable Integrator to the control head as show in figure 6. Attach to the body (utilizing an OEM screw that held a cable). The loop ends of the integrator will be secured with an included push-nuts.

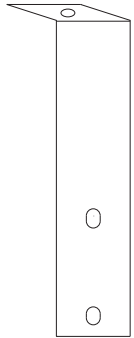
Flip the control head over and follow the same procedure for mounting the **MODE EZ** Cable Integrator. Place the included U-Clip over the OEM hole in the control head (see inset below on figure 7). Mount the Intergrator utilizing the OEM screw that held a cable. Use the remaining push-nut to secure the cable end over the post on the OEM control arm.

With this completed you can attach the included harness to the blower switch and reinstall the control head back in the dash.

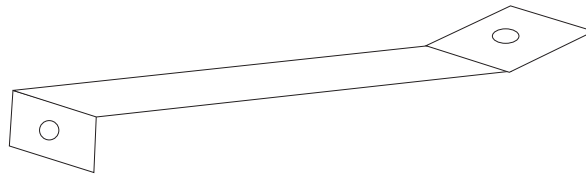


THESE ARE THE PARTS YOU WILL FIND IN BAG KIT B

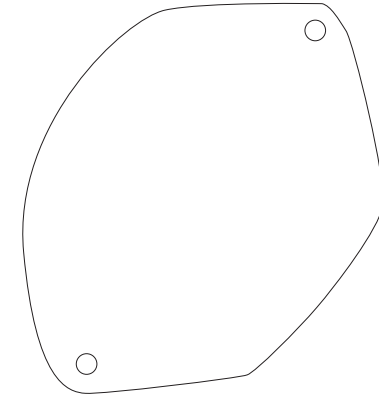
You will use all of these parts and hardware during the next series of installation steps.



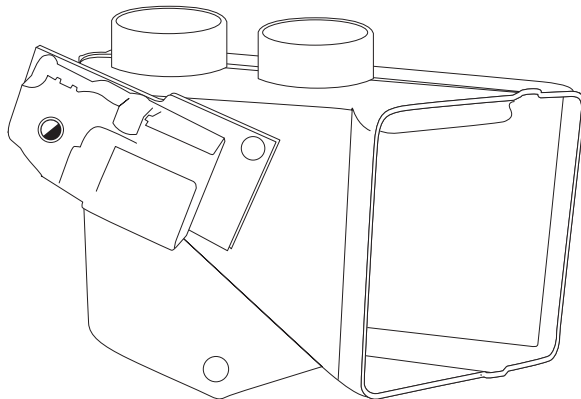
Evaporator Support Bracket
PN#0040-10



Evaporator Support Bracket
PN#0040-11



Fresh Air Inlet Block Off
PN#10-1048-2



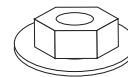
Defrost/Heat Duct Assembly
PN#2-2025-2



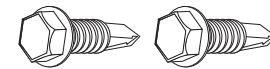
One Washer



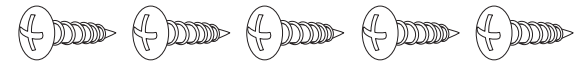
One Male Spade Connector



One Flange Nut



Two #10 - 16 x 3/4" Tek Screw



Five #10 - 10 x 5/8" Phillips Screws



One 1/4 #20 x 5/8" Hex Head Screw

Illustration NOT shown in actual size

Remove the blower assembly in the engine compartment and discard. Locate the block off plate we've included and install it over the hole. It will need to be tucked in behind the hood hinge.

Locate the original wiring harness that supplied power to the original heater motor. Reaching thru the glove box opening pull these wires out of their grommet (see figure 6). (GM normally used a brown wire for power). On the OEM power supply wire attach a 1/4" insulated male spade connector. Within the OEM fuse box upgrade the factory HEATER fuse with a 20 amp fuse (**VERY IMPORTANT**).

Looking thru the glove box door opening, locate the bottom left mounting hole in the firewall that attached the original heater motor, and follow the directions for drilling as shown below. From inside of the vehicle drill a 5/8" dia. hole for the drain tube.

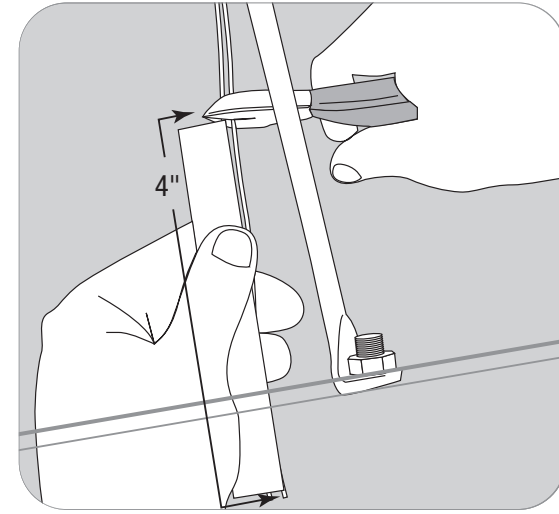
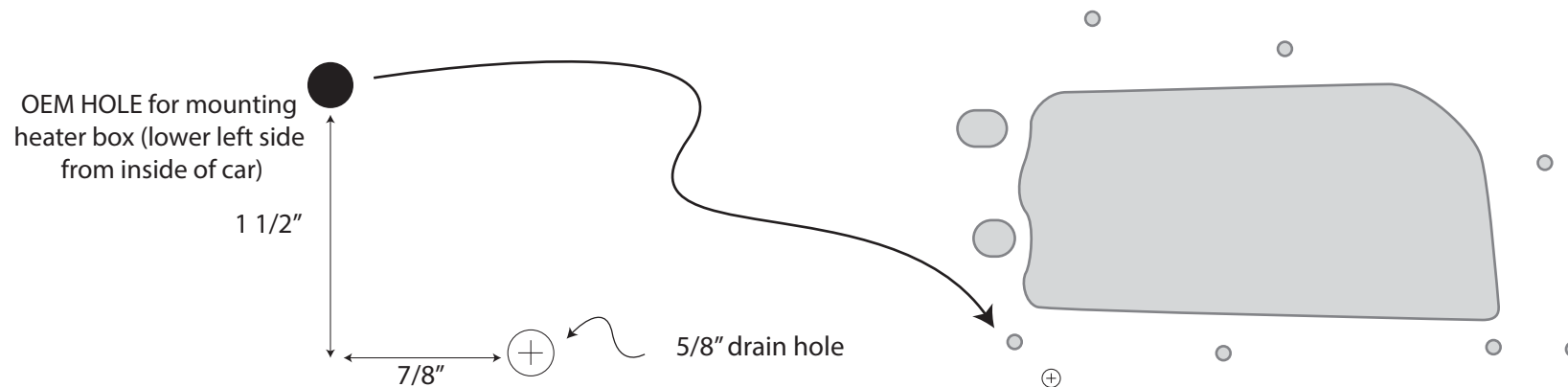


FIGURE 6



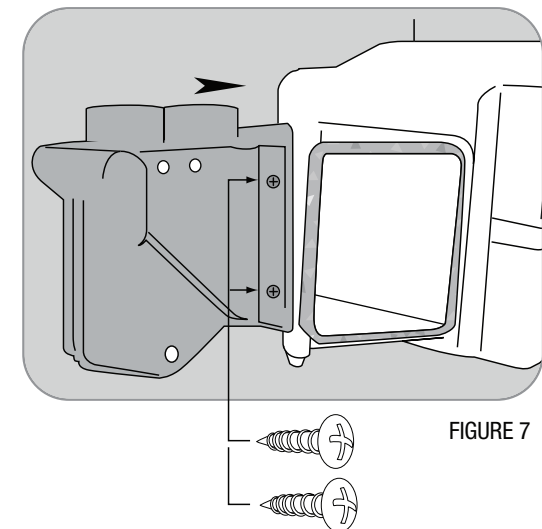
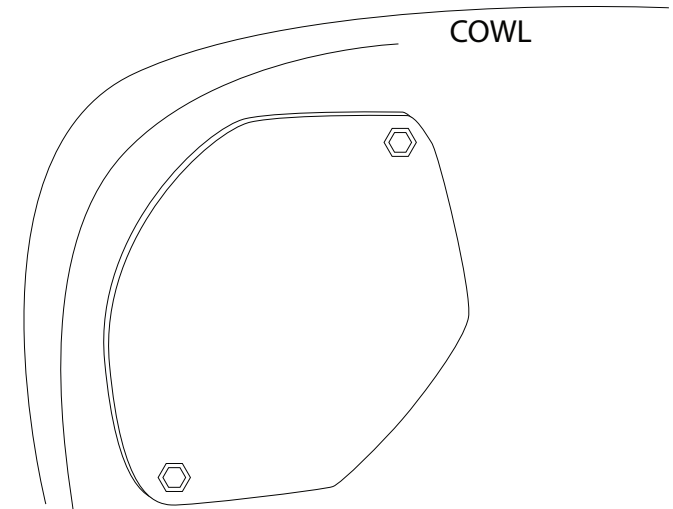
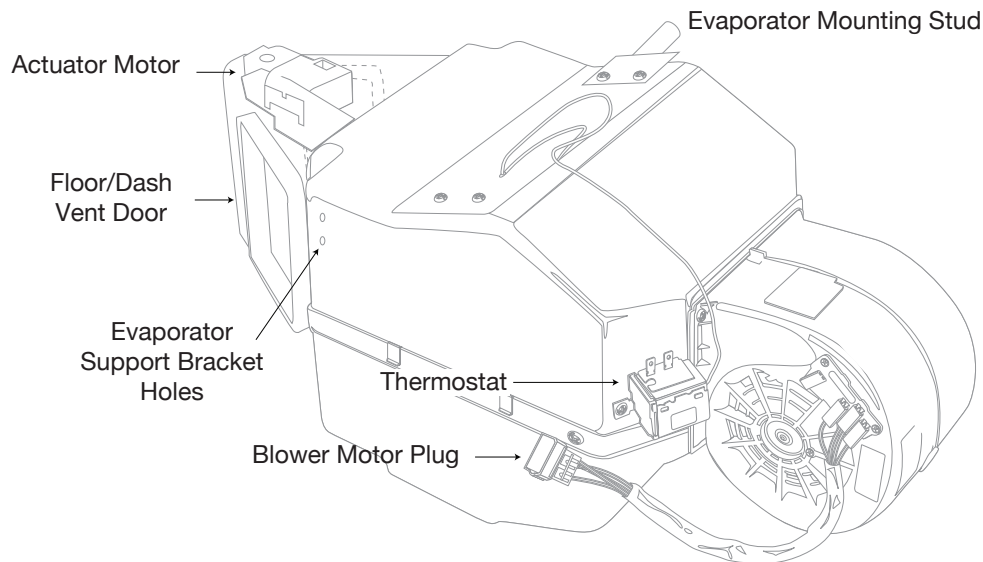
You can now begin installing your Classic Air Perfect Fit Elite System.

Within the engine compartment area, install a Fresh Air inlet block off over the OEM vent opening using the original nuts.

Remove evaporator unit from box and place on a flat work surface.

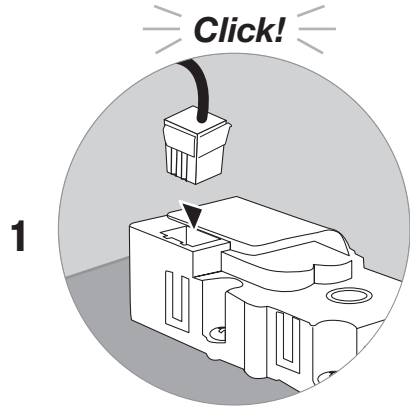
Locate defrost / heat duct assembly and attach to the evaporator using two #10 - 10 5/8" Philips screws (see figure 7). NOTE: Be sure that the s-clips are pushed over rear flange on evaporator.

Take a minute to familiarize yourself with the evaporator unit:

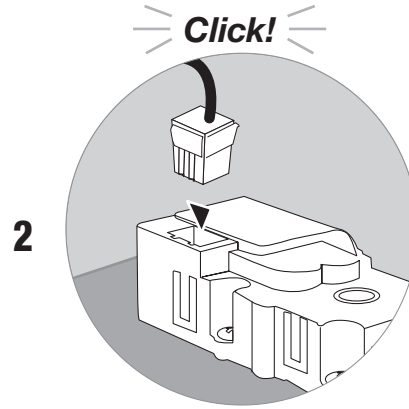


BENCH CALIBRATION & FUNCTION TESTING

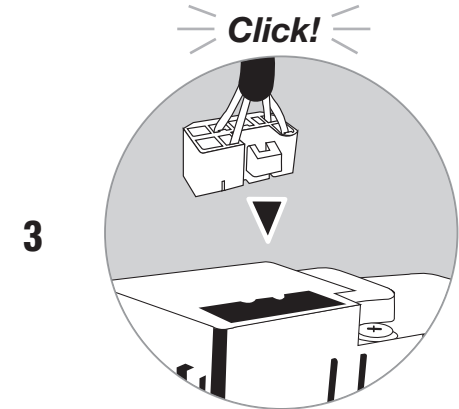
• Wiring Preparation Steps 1 through 3



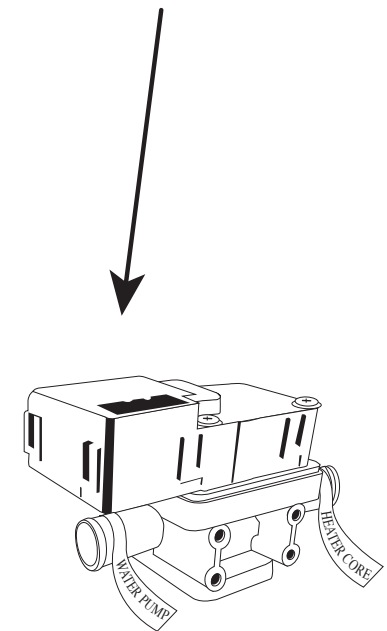
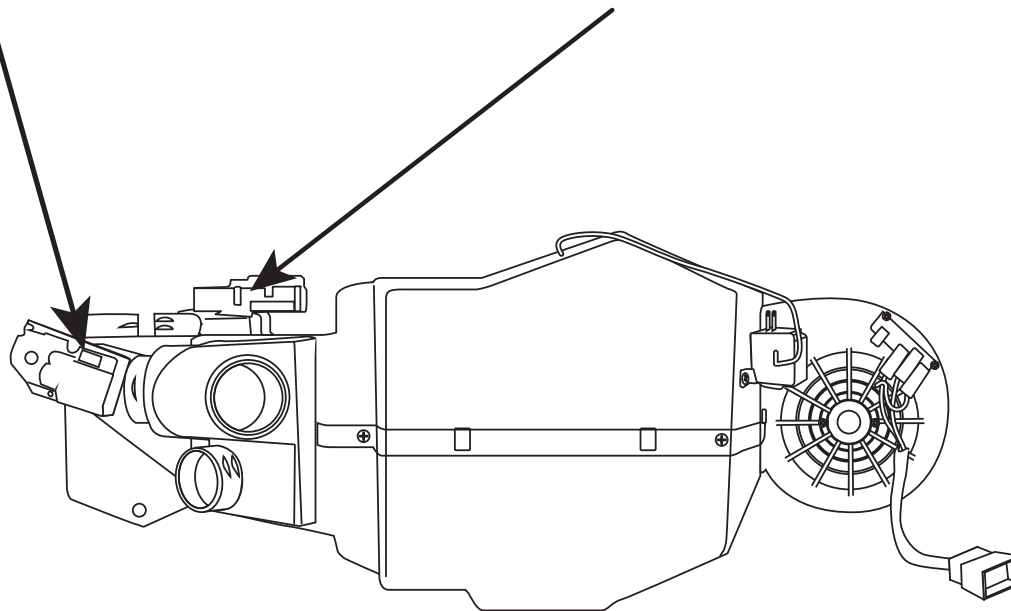
Connect Blue Harness into Defrost/Heat Servo Motor



Connect Yellow Harness into Face/Floor Servo Motor

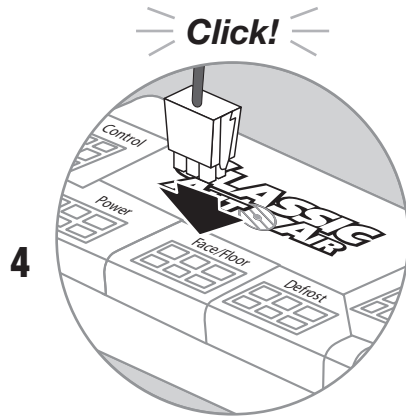


Connect Orange Harness into water valve



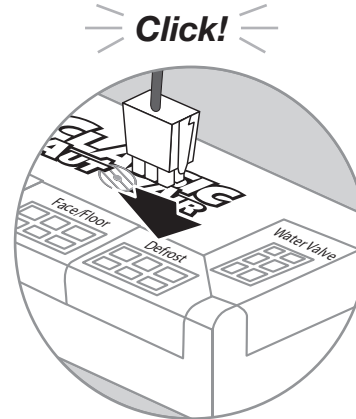
BENCH CALIBRATION & FUNCTION TESTING

• Wiring Preparation Steps 4 though 7



4

Connect Yellow Harness into Face/Floor Port on ECU



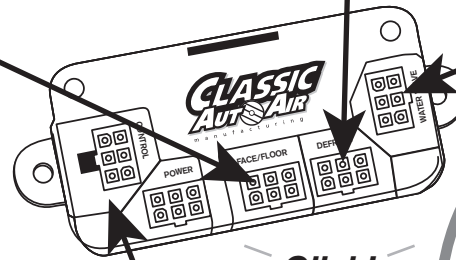
5

Connect Blue Harness into Defrost/Heat Port on ECU



6

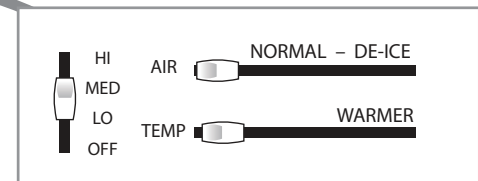
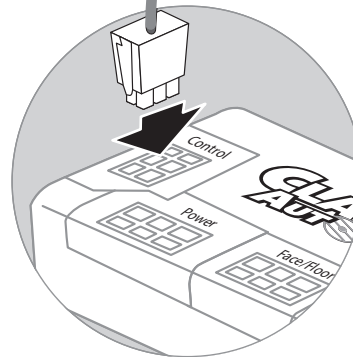
Connect Orange Harness into Water Valve Port on ECU



From your D.E.R.,
Connect Green Harness into
Control Port on ECU

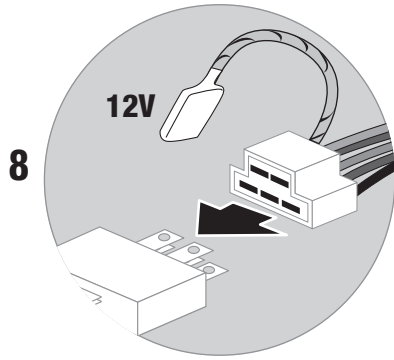
Click!

7

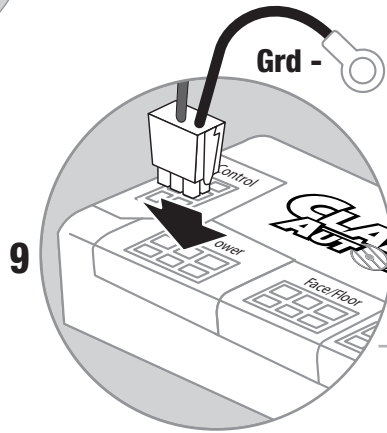


BENCH CALIBRATION & FUNCTION TESTING

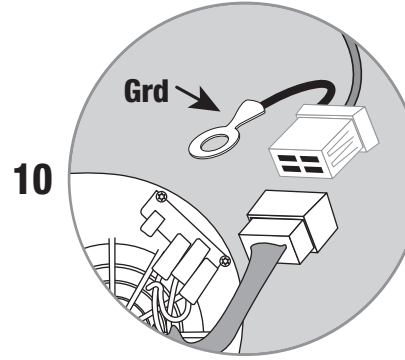
• Wiring Preparation Steps 8 through 13



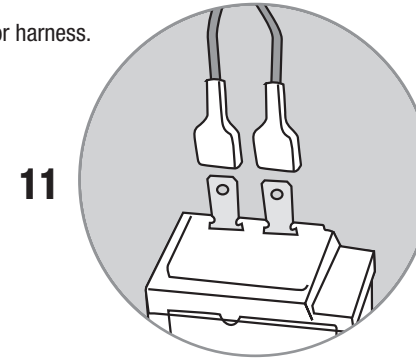
Connect corresponding Fan Switch harness to the Bower Switch on Controls
Connect Power lead to 12V.



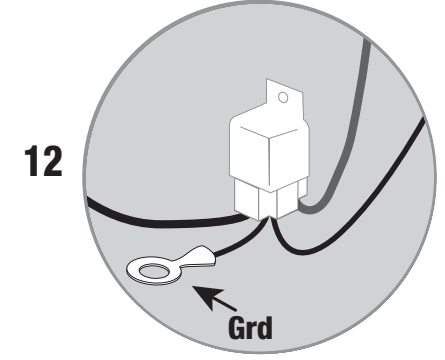
Connect red tagged power harness to POWER port on ECU.
Connect ground.



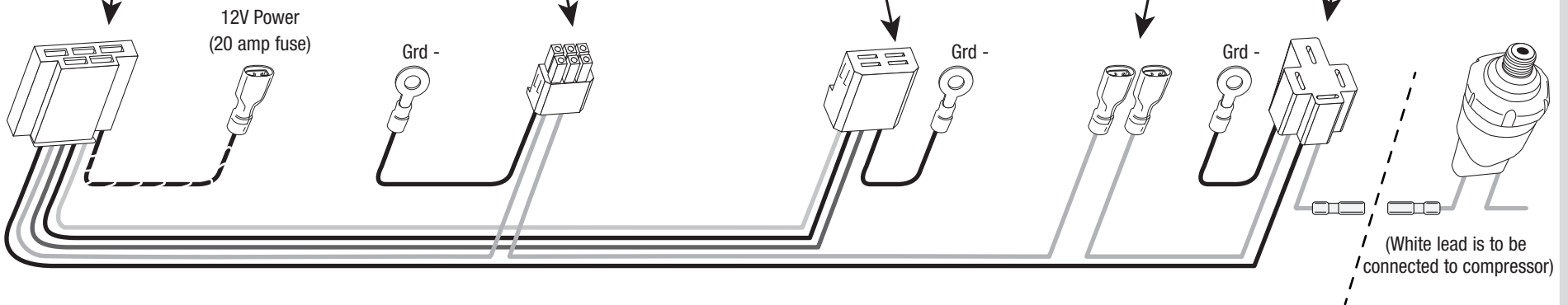
Connect corresponding fan motor harness.
Connect ground.



Connect both BLUE leads into thermostat
(either lead into either terminal)



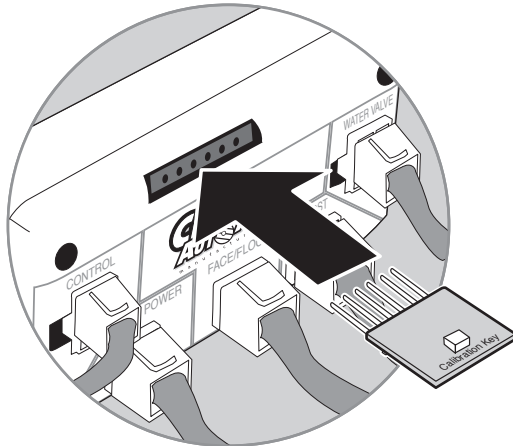
Connect ground.



BENCH CALIBRATION & FUNCTION TESTING

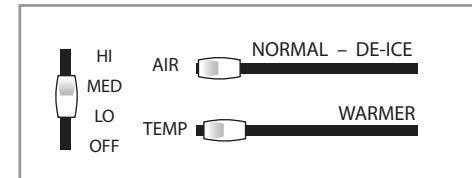
• Calibration, Steps 13 thru 15

13



Insert Calibration Key as shown (LED up) into 6-pin connection in ECU

14

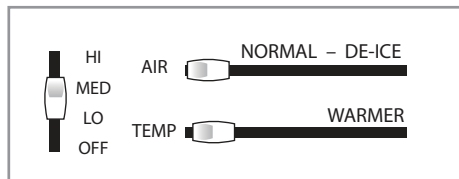


Start by positioning the D.E.R. knobs as shown:

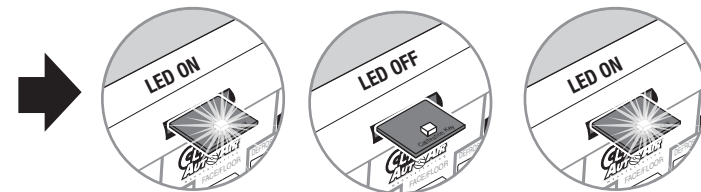
Fan: Off
Mode: Floor
Temp: Cold

15

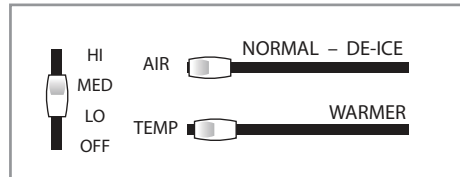
Move Fan Knob to Center...



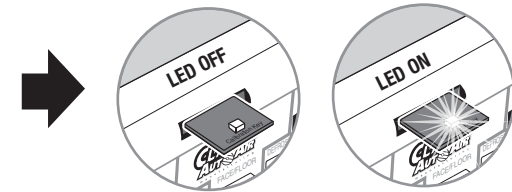
YOU WILL SEE...



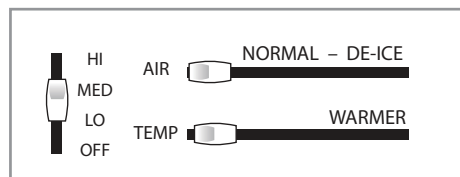
- 16** Move MODE knob to DASH
in one motion



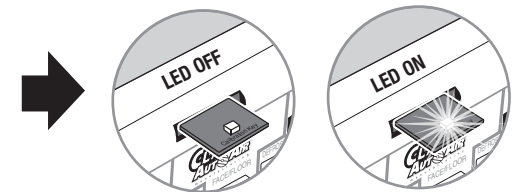
AFTER YOU MOVE THE KNOB YOU WILL SEE...



- 17** Move TEMP knob to HOT
in one motion



AFTER YOU MOVE THE KNOB YOU WILL SEE...

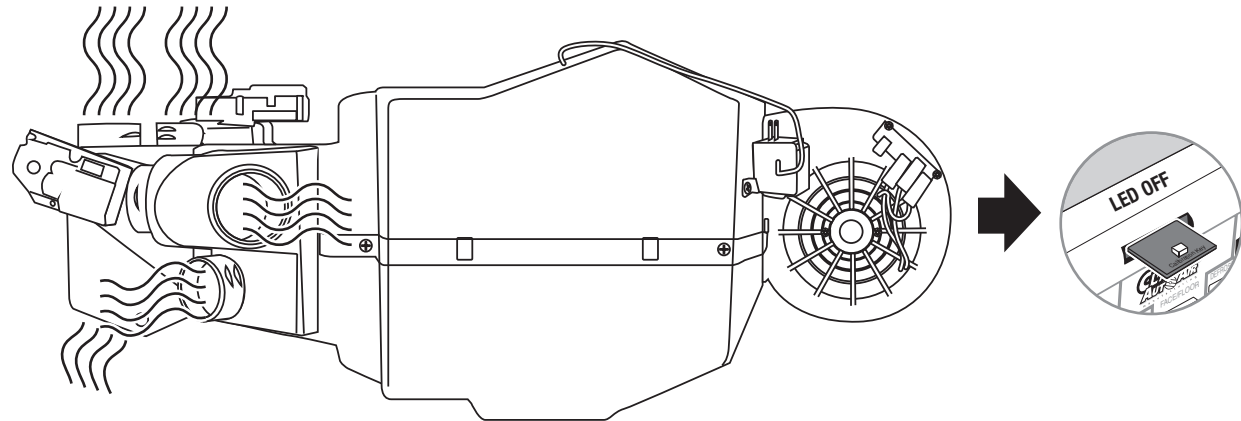


BENCH CALIBRATION & FUNCTION TESTING

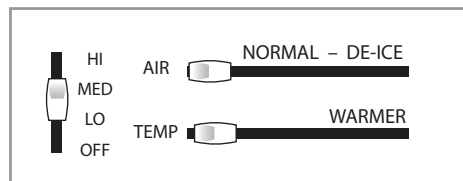
• Calibration, Steps 18 thru 20

You will be able to hear the internal door(s) move back and forth and feel air coming out of the outlets

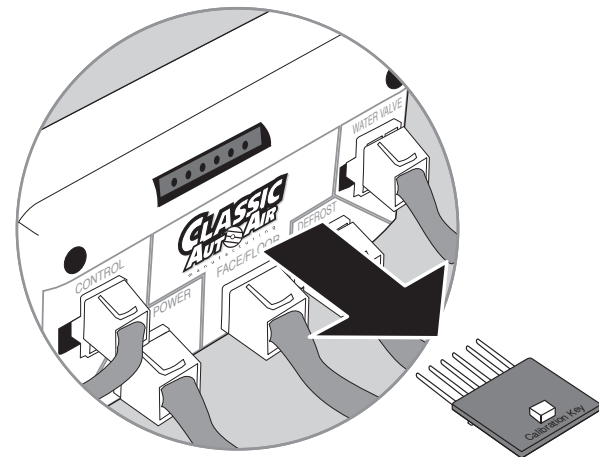
18



19 Move FAN knob to OFF



20

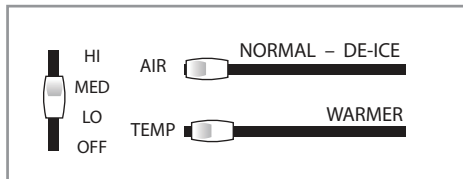


REMOVE CALIBRATION KEY FROM ECU AND STORE IN A SAFE PLACE

BENCH CALIBRATION & FUNCTION TESTING

• Function Test, Steps 1 thru 3

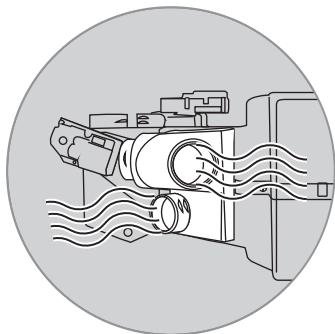
1



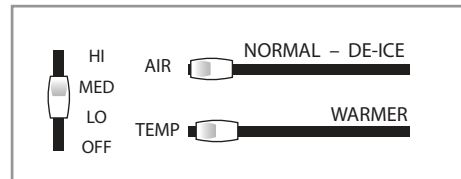
Move FAN knob to HIGH
Move MODE knob to DASH
Move TEMP knob to COLD



AIR OUT OF DASH VENTS



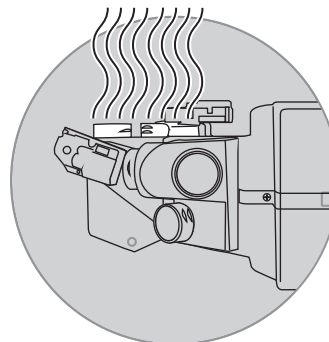
2



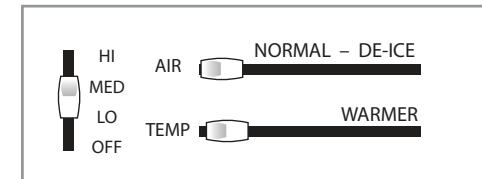
Move MODE knob to DEF



AIR OUT OF DEFROST VENTS



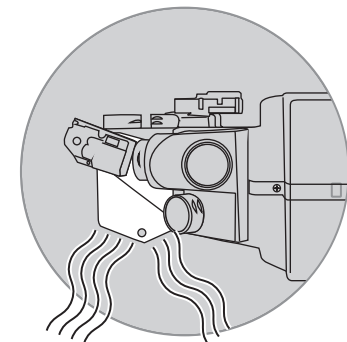
3



Move MODE knob to FLOOR



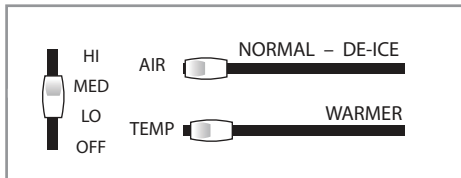
AIR OUT OF FLOOR VENTS



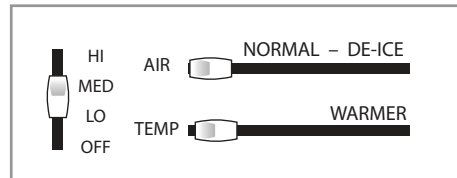
BENCH CALIBRATION & FUNCTION TESTING

• Function Test, Steps 4 and 5

4



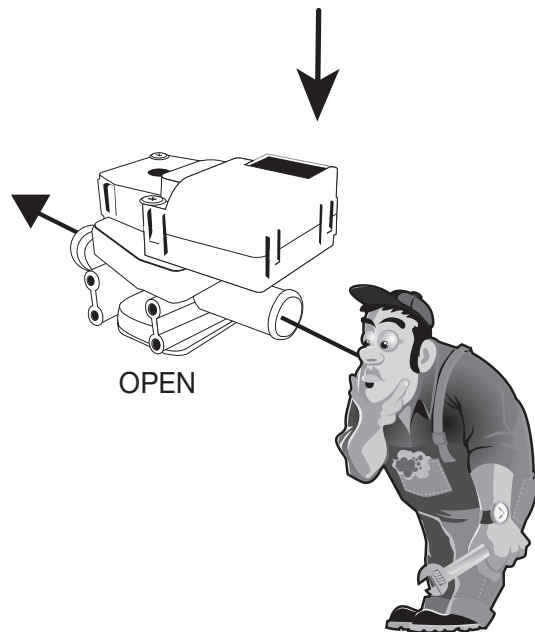
5



Return all wiring harnesses, water valve, and ECU to their originally bags/boxes (this keeps them organized for future installation steps).

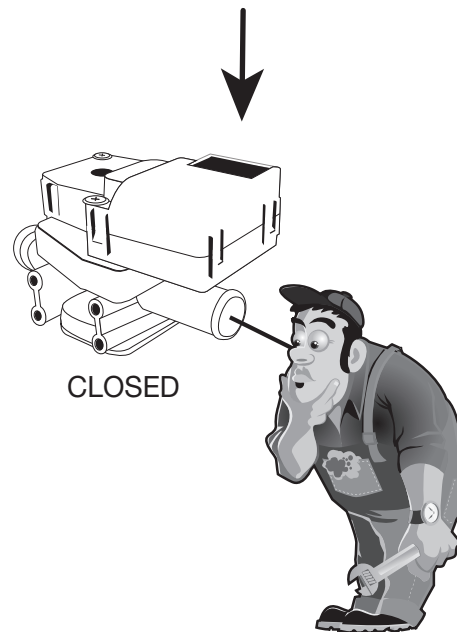
Your controls are now fully calibrated to your unit. Please refer to the next steps in your installation manual for installing the system in your vehicle.

Move TEMP knob to HOT



You will be able to see through water valve passage

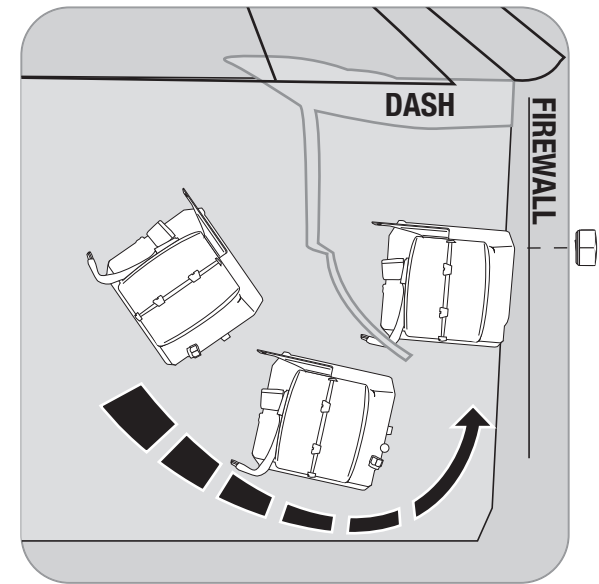
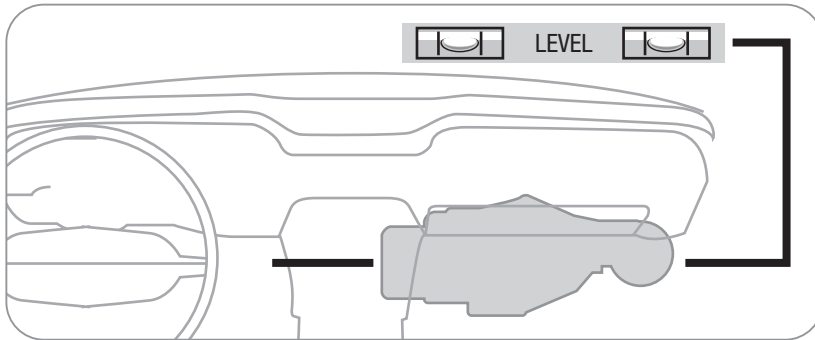
Move TEMP knob to COLD



You will NOT be able to see through water valve passage

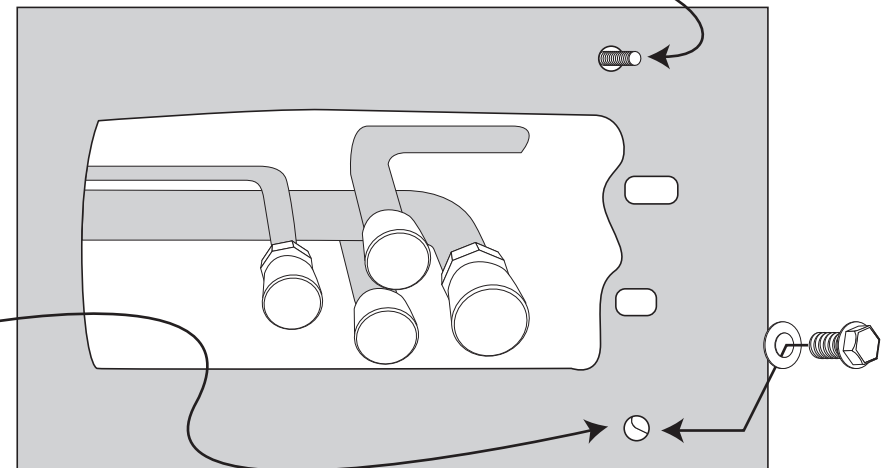
NOTE: IF DURING ANY OF THESE STEPS YOU DO NOT GET THE CORRECT OUTCOME, PLEASE CALL TECH SUPPORT BEFORE INSTALLING INTO VEHICLE. 1(866)435-7801

Installing the complete evaporator unit under the dash will go much easier with the help of a friend. One person can take the unit within the car and “roll” up and under the dash while the other person can be ready at the firewall area with the included flange nut to secure the unit in place (see figure 8). Now the unit will be easy to level and secure. Leveling the unit is very important to insure proper drainage of condensation.



Be sure to align the evaporator unit level with the bottom of instrument panel (assuming the vehicle is sitting level) as shown above, but with a small degree of tilt toward the back to allow proper drain of condensation.

Flange Nut attached to stud protruding thru original mounting hole



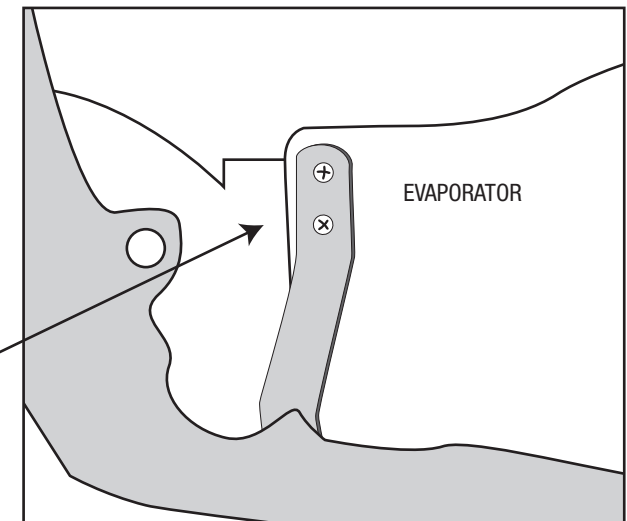
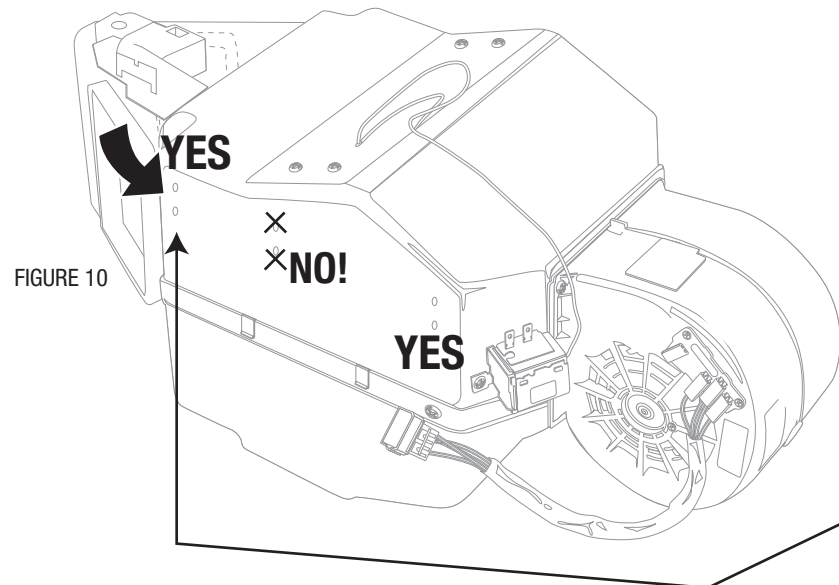
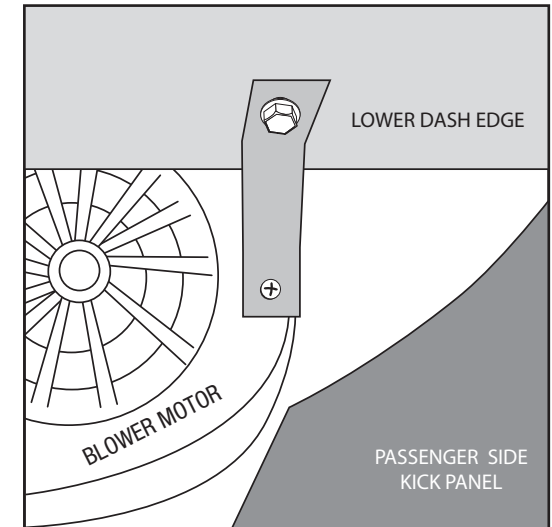
Locate in the sack kit one 1/4" -20 x 5/8" hex head screw and washer. Attach to lower mounting bracket through the existing holes.

FIGURE 8

Locate in the sack kit the blower support brace and (1) #8 x 3/8" pan head screw and one #10 x 3/4" tek screw. Attach to the blower motor using one #8 x 3/8" pan head screws. Attach the other end of the brace to the bottom of the instrument panel using a #10 screw.

Locate in the sack kit the left support brace, one #10 x 5/8" screw and one #10 x 3/4" tek screw. Using hand power and a screw driver, attach the brace through the holes provided on the evaporator. Carefully tighten. Attach brace to the panel using one #10 x 3/4" tek screw.

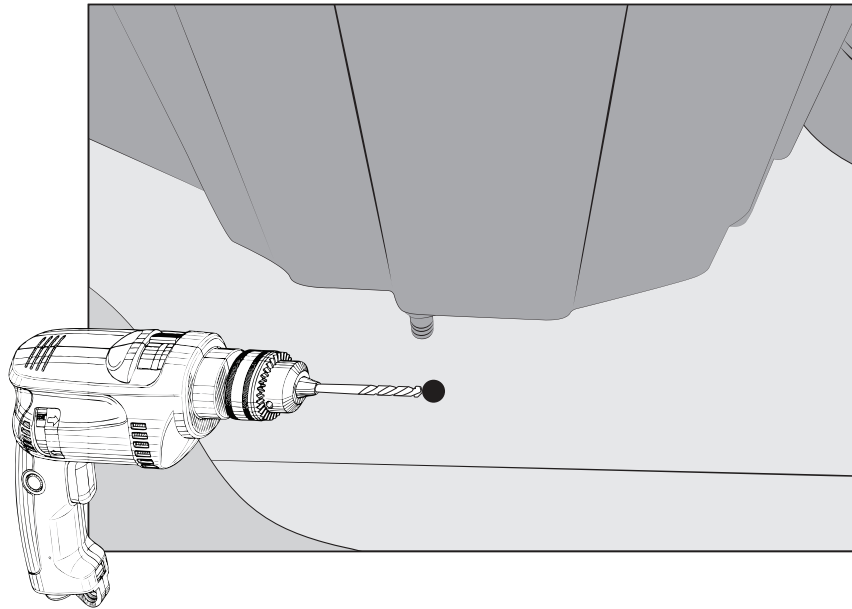
IMPORTANT NOTE: On the side of the main unit you will see several holes for mounting holes... ONLY USE THE ONES ON THE FAR LEFT AND RIGHT FOR THESE BRACKETS! Do not tap into the other holes for any reason (see figure 10). Do not over-tighten so you don't strip the holes.



Installing the Drain tube

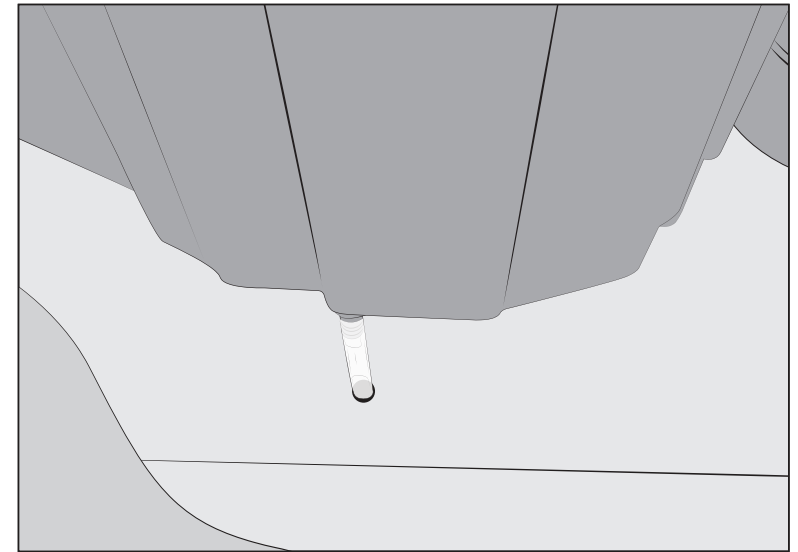


THIS IS FROM INSIDE THE VEHICLE!



Mount Evaporator level to firewall.

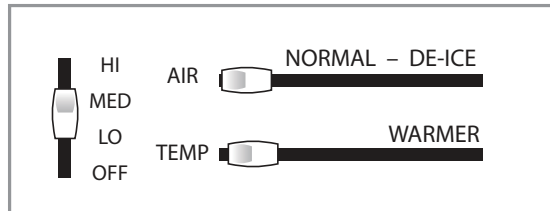
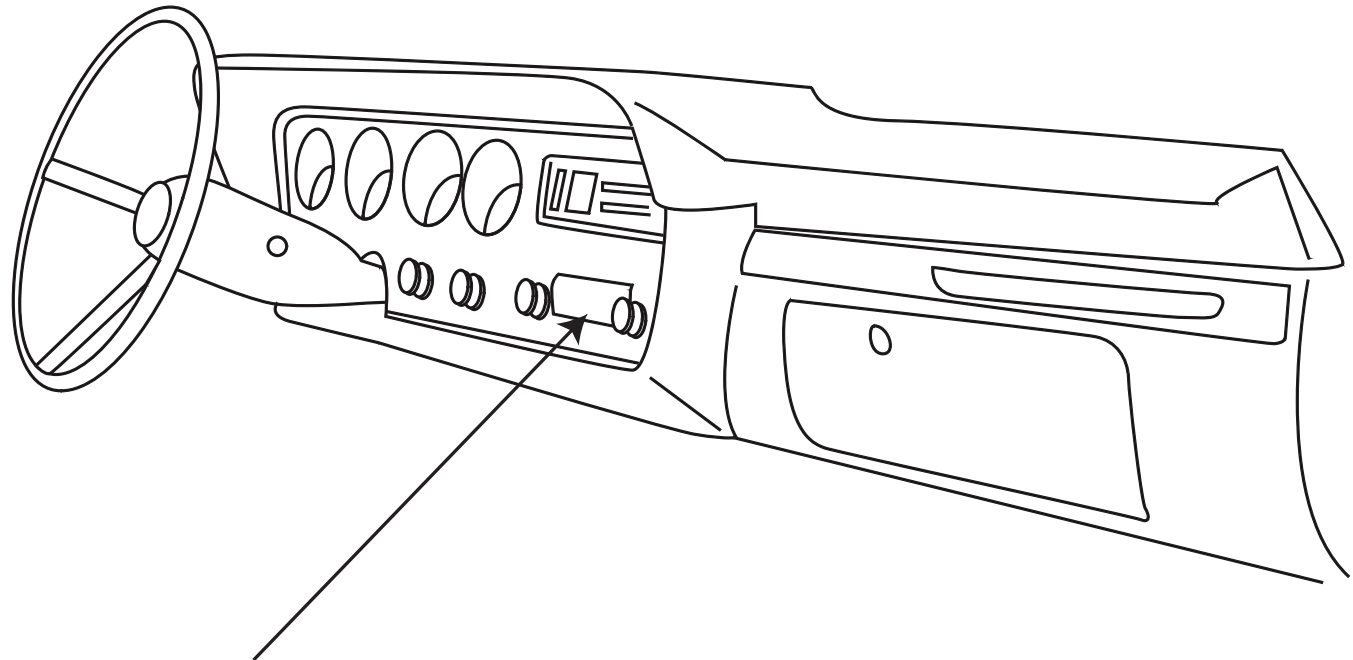
Locate Drain nipple on Evaporator and drill a 1/2" hole below the nipple on the firewall. This will allow condensation to drain properly.



Attach 1/2" clear drain tube to Evaporator nipple and run through 1/2" hole you just drilled.

All condensation will now drain out into the engine bay.

Mount controls into dash using OEM hardware.

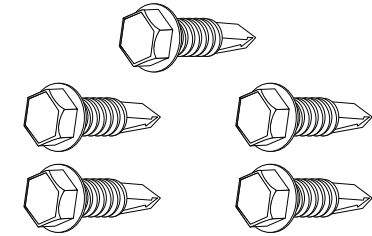
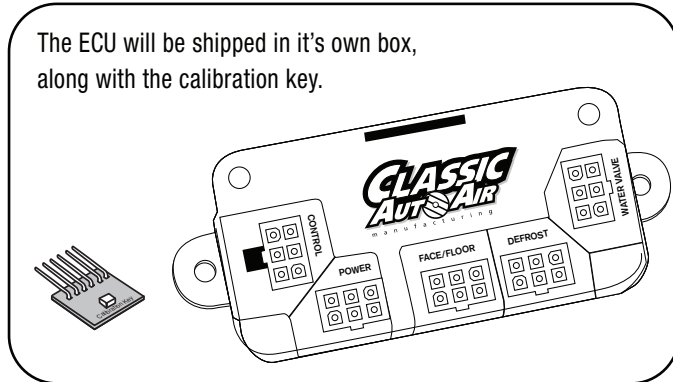


Illustrations NOT shown actual size

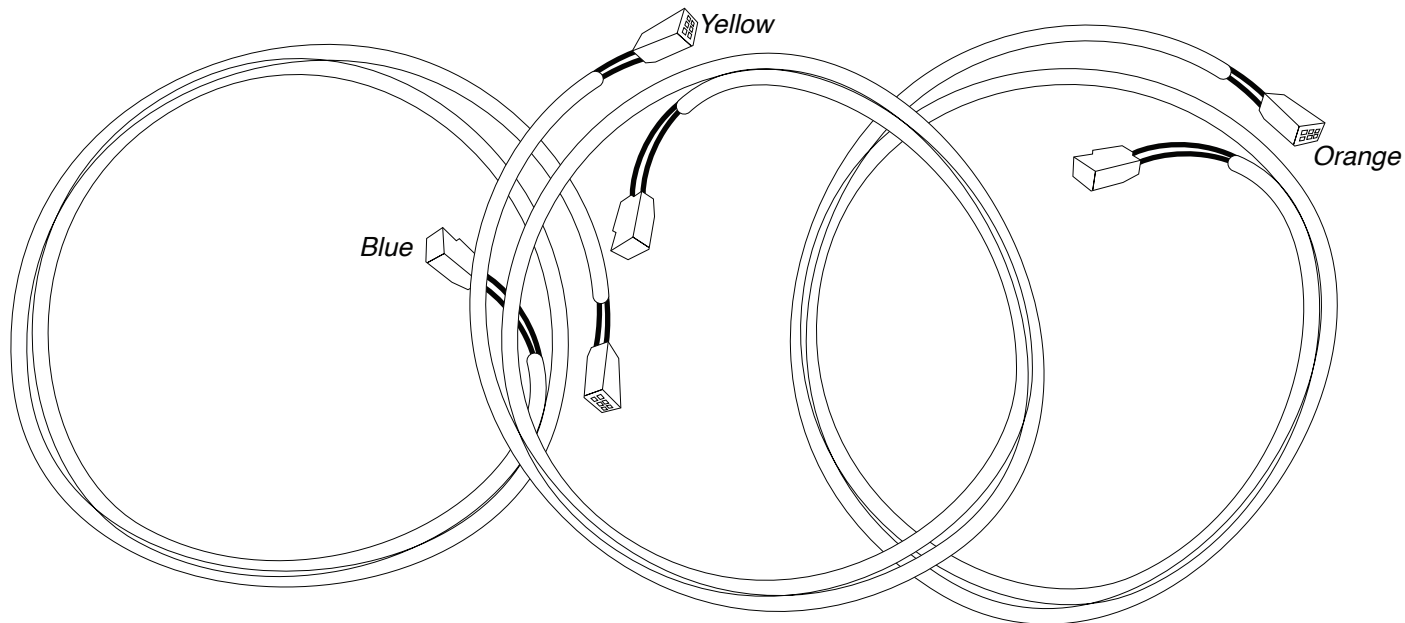


THESE ARE THE PARTS YOU WILL FIND BAG KIT C

You will use all of these parts and hardware during the next series of installation steps.

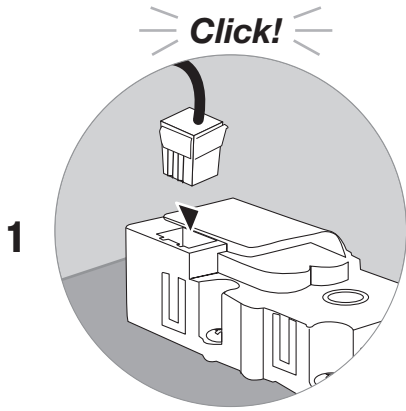


Five #10 - 16 x 3/4" Tek Screws

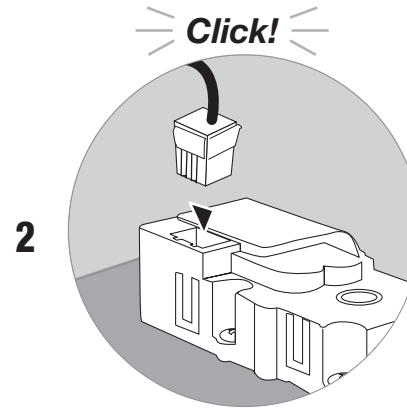


EZ Wire Harness System

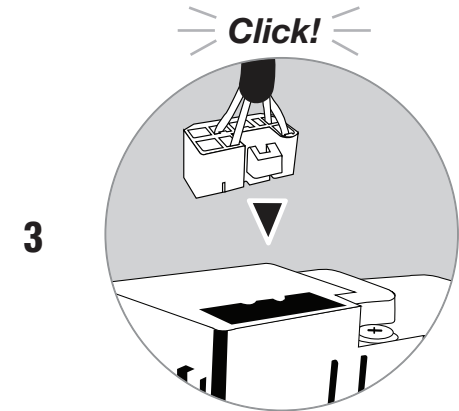
Illustrations NOT shown actual size



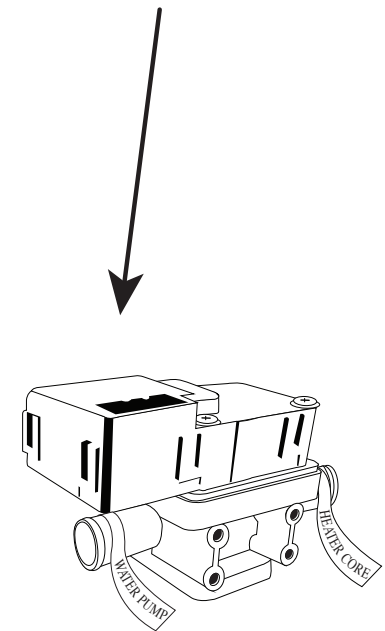
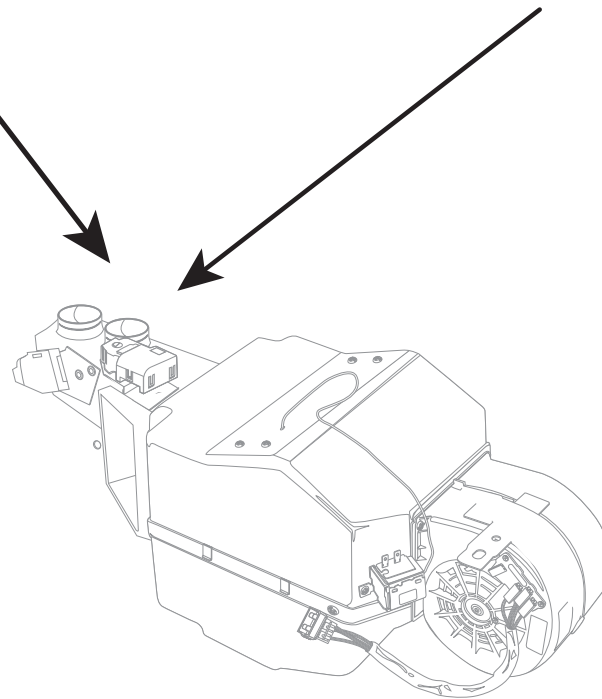
Connect Blue Harness into Defrost/Heat Servo Motor

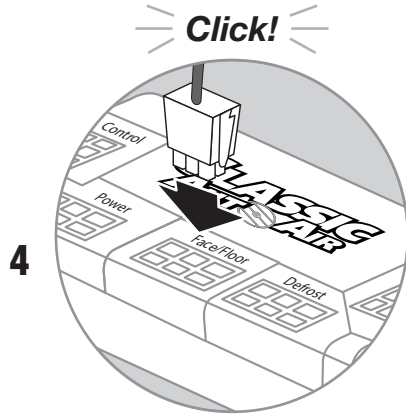


Connect Yellow Harness into Face/Floor Servo Motor

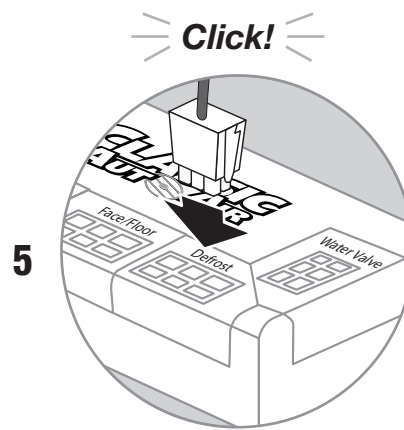


Connect Orange Harness into water valve

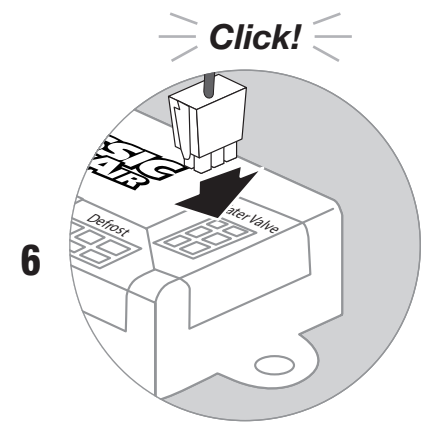




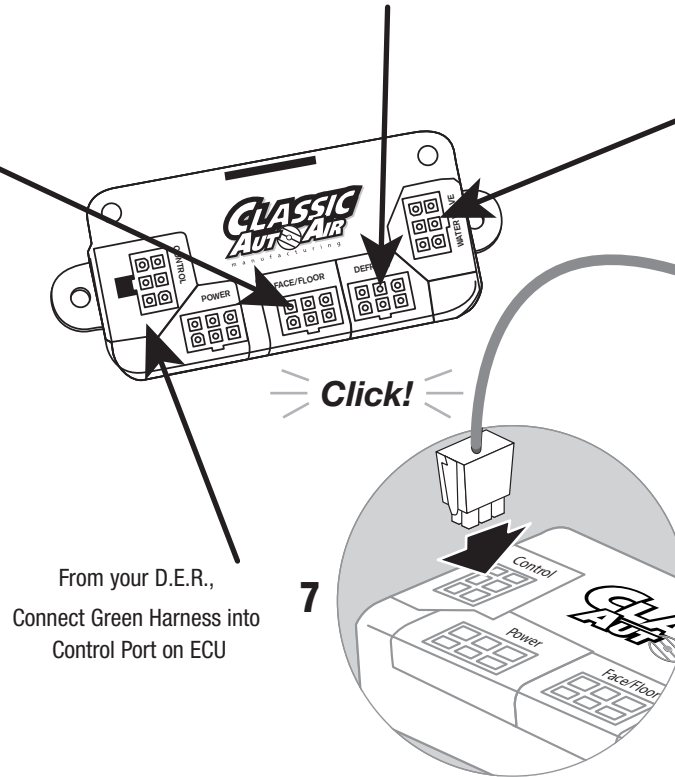
4 Connect Yellow Harness into Face/Floor Port on ECU



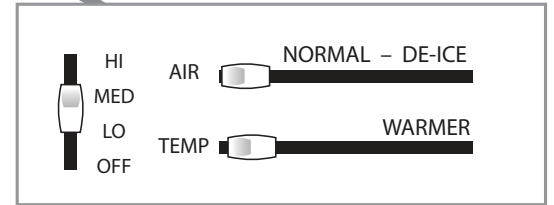
5 Connect Blue Harness into Defrost/Heat Port on ECU

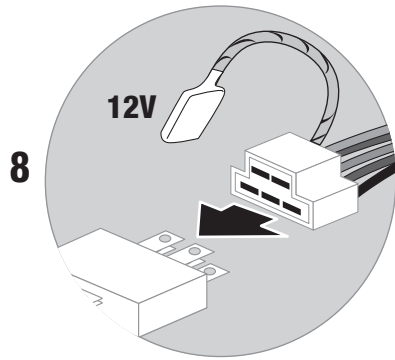


6 Connect Orange Harness into Water Valve Port on ECU

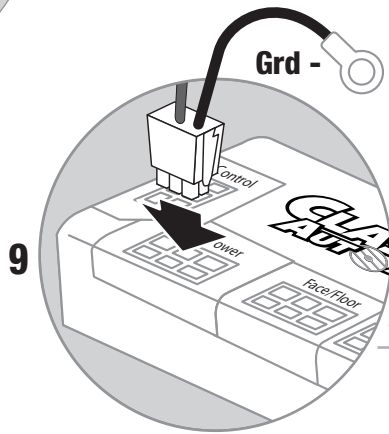


7 From your D.E.R., Connect Green Harness into Control Port on ECU

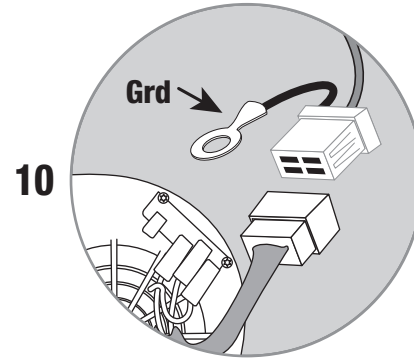




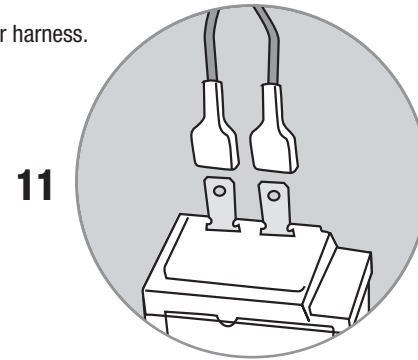
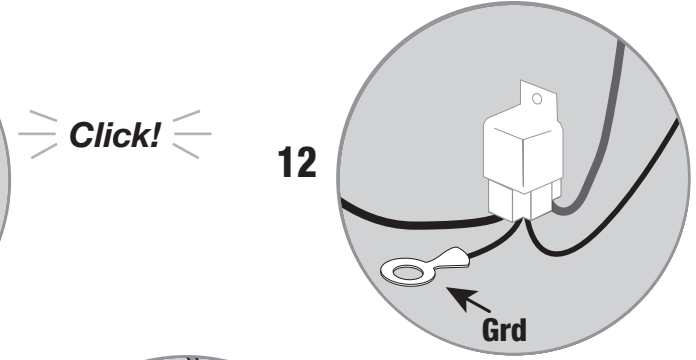
8
Connect corresponding Fan Switch harness to the Bower Switch on Controls
Connect Power lead to 12V.



9
Connect red tagged power harness to POWER port on ECU.
Connect ground.

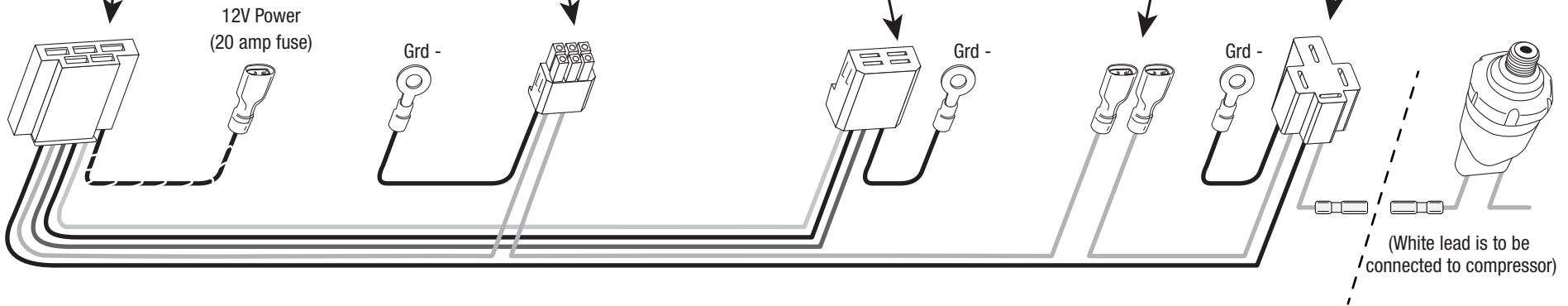


10
Click!
Connect corresponding fan motor harness.
Connect ground.



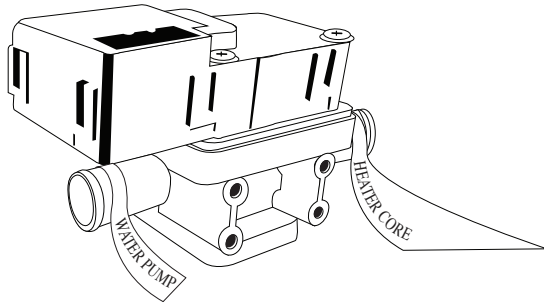
11
Click!
Connect both BLUE leads into thermostat
(either lead into either terminal)

12
Connect ground.

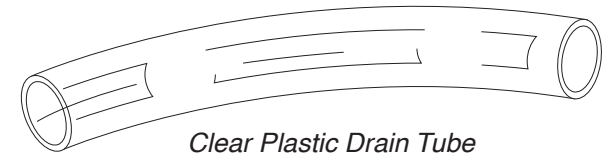


THESE ARE THE PARTS YOU WILL FIND BAG KIT D

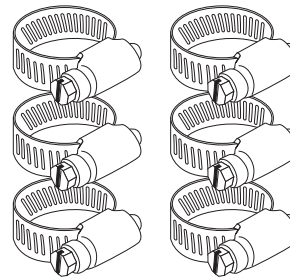
You will use all of these parts and hardware during the next series of installation steps.



*Electronic Water Control Valve
PN#16-1081-2*



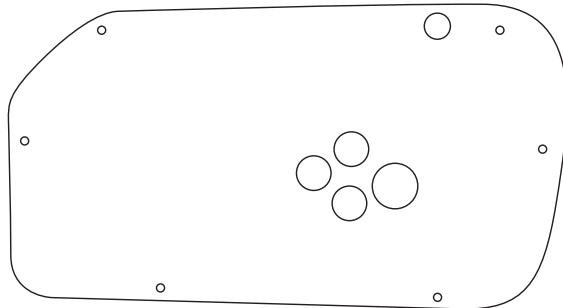
Clear Plastic Drain Tube



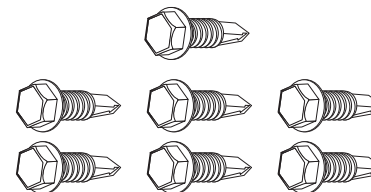
Six Worm Gear Clamps



Refrigerant Tape



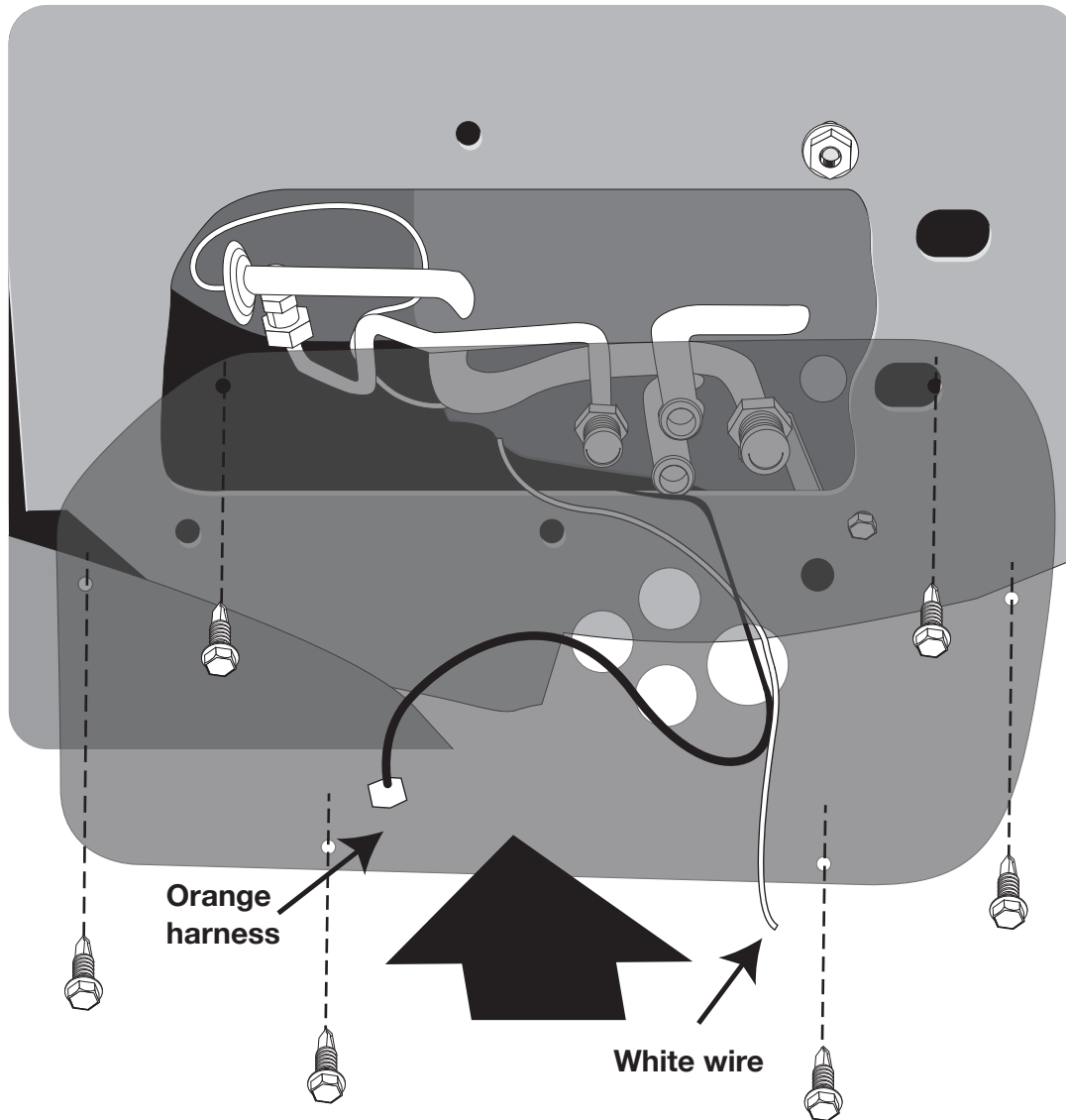
*Firewall Block Off
PN#10-1048-1*



Seven #10 - 16 x 3/4" Tek Screws

Illustrations NOT shown actual size

Block-off plate installation and drain tube installation



In **Bag Kit D** you'll find the firewall block off. Install this over the hose connections coming thru the firewall within the engine compartment. Attach with seven #10 - 16 x 3/4" Tek screws.

TIP: Route **ORANGE** cable thru the block off plate (it will be plugged into the electronic water valve).

The loose white wire from main power harness can be fed thru the same hole (as shown below).

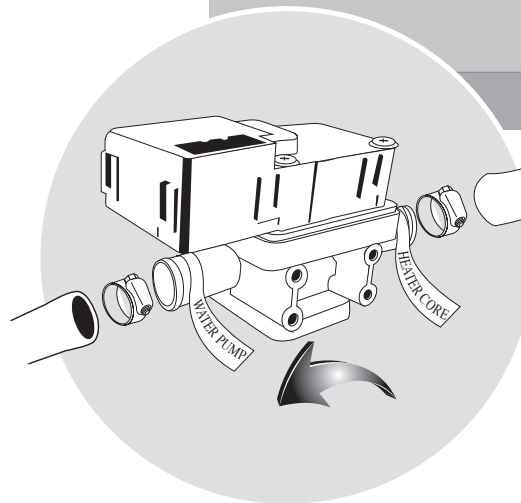
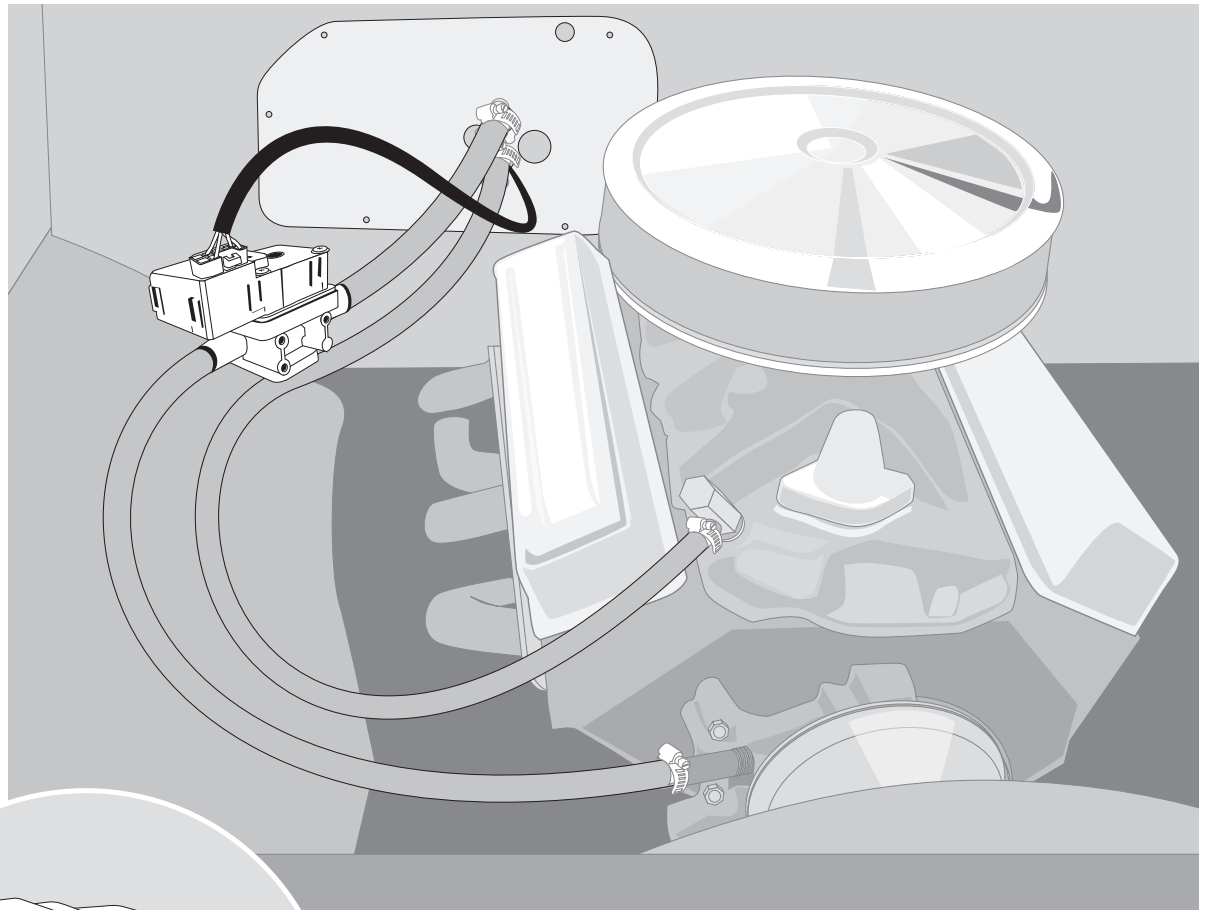
IMPORTANT NOTICE: PROPER INSTALLATION OF WATER VALVE

Your water valve MUST be installed per these instructions!... (If not, your system will not work properly.

The **lower** heater tube connection on firewall will be routed to the water connection on intake manifold using 5/8" dia. heater hose with the supplied worm gear clamp.

The **upper** heater tube connection on the firewall will be routed to the water valve connection labeled **heater core**, using a 6" piece of 5/8" heater hose attached with supplied worm gear clamp.

Connect the remaining outlet on water valve labeled **water pump** to the water pump using 5/8" dia. hose with the supplied worm gear clamp.

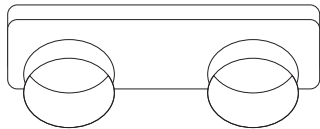


**FOLLOW THESE
TAGS... CHECK IT
TWICE BEFORE
PROCEEDING!**

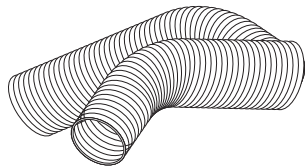
THESE ARE THE PARTS YOU WILL FIND IN BAG KITS E, F, and G

You will use all of these parts and hardware during the next series of installation steps.

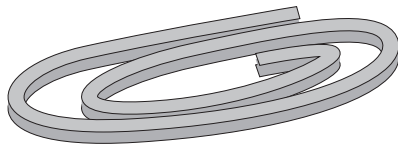
Bag E



Defrost Adapter 0103-1



Two Duct Hoses, 2" I.D.



Foam Seal

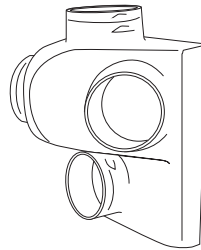


Two #10x5/8" PHP Screws

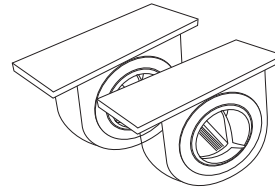


Four Zip-Ties

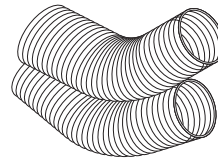
Bag F



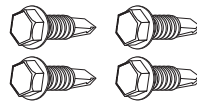
Face/Floor Assembly
PN#2-2025-1



Two Drivers/Passenger
Side Vent Assemblies
PN#2-2079-1



Two Duct Hoses, 2" I.D.

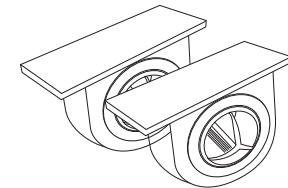


Four #10 - 16 x 3/4" Tek Screws

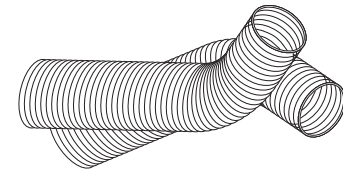


Four Zip-Ties

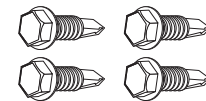
Bag G



Two Center Vent Assemblies
PN#2-2079-1



Two Duct Hoses, 2" I.D.



Four #10 - 16 x 3/4" Tek Screws



Four Zip-Ties

Bag Kit E. Remove the OEM defrost assembly. We've included a template for modifying the main defrost assembly. Cut out the template and tape to the assembly, then carefully cut the assembly as shown in figure 11. Locate in the hardware sack kit the $\frac{1}{4}$ " x $\frac{1}{2}$ " open cell foam. Wrap around the opening as shown. Locate in the hardware sack kit the Defrost duct adaptor. Attach over duct as shown using two #10 x $\frac{5}{8}$ " PHP screws. Reinstall defrost duct using original hardware.

Locate and route the duct hoses from the defrost/heat duct assembly (see figure 12) upward toward the defrost adaptor defusers. Attach flex hose to the defrost defuser adaptors using zip-ties.

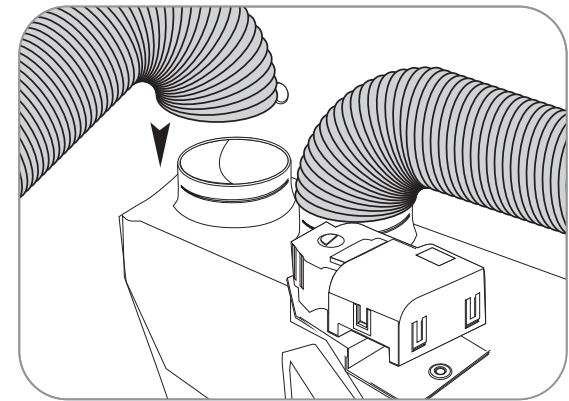


FIGURE 12

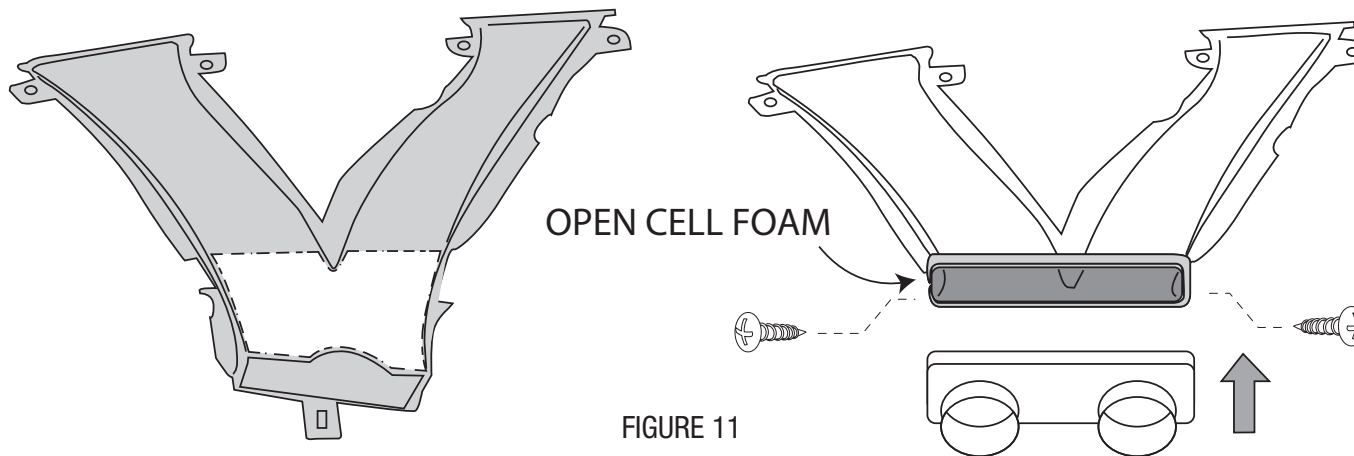


FIGURE 11

Bag Kit F. The face/floor assembly comes preinstalled with s-clips which allow you to install it onto the evaporator unit quickly and securely (see figure 13).

Using the included tek-screws, install the drivers and passenger side vents. Position the vents so that they won't interfere with the operation of your vehicle, and that the driver and passenger will get the most benefit from their airflow.

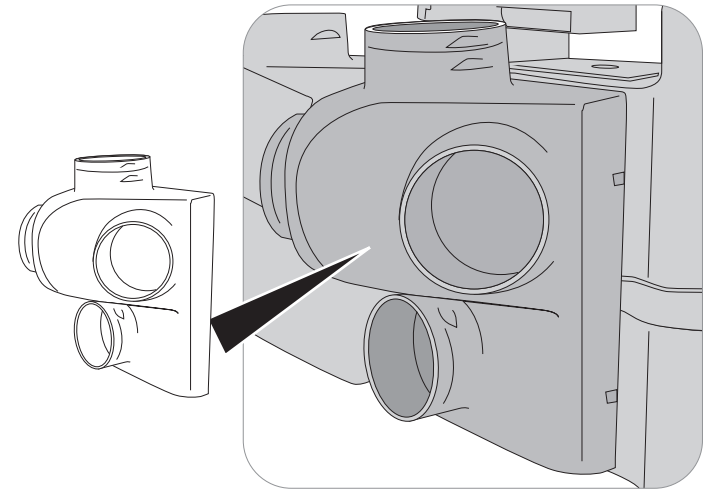
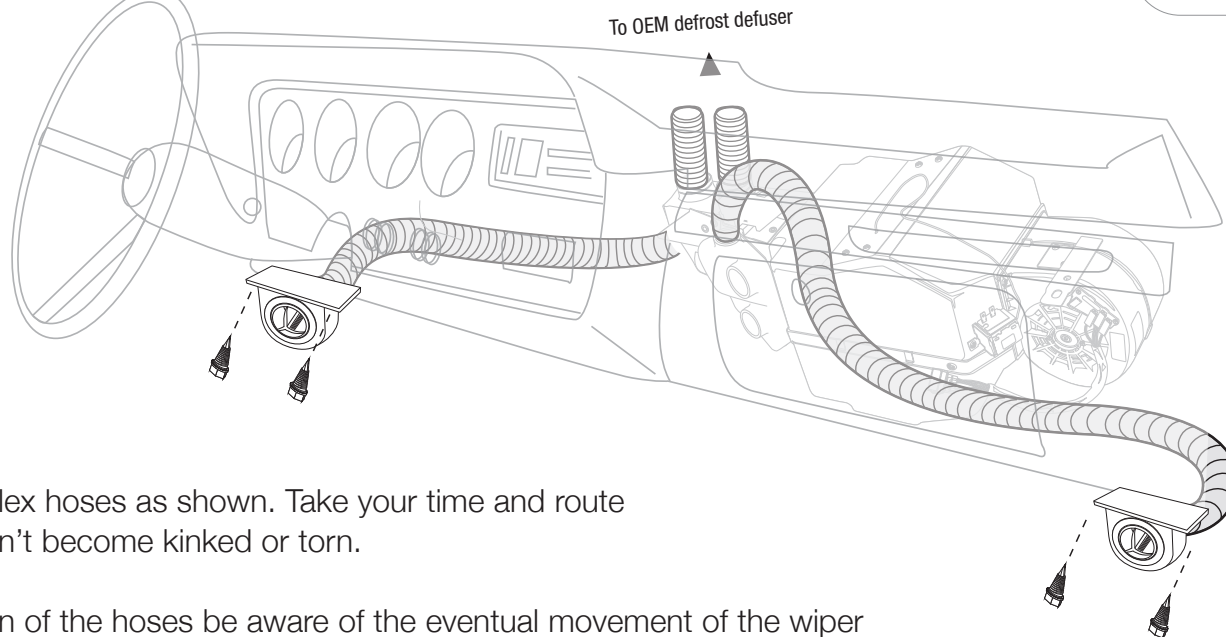


FIGURE 13



Route supplied flex hoses as shown. Take your time and route them so they don't become kinked or torn.

During installation of the hoses be aware of the eventual movement of the wiper arm components.

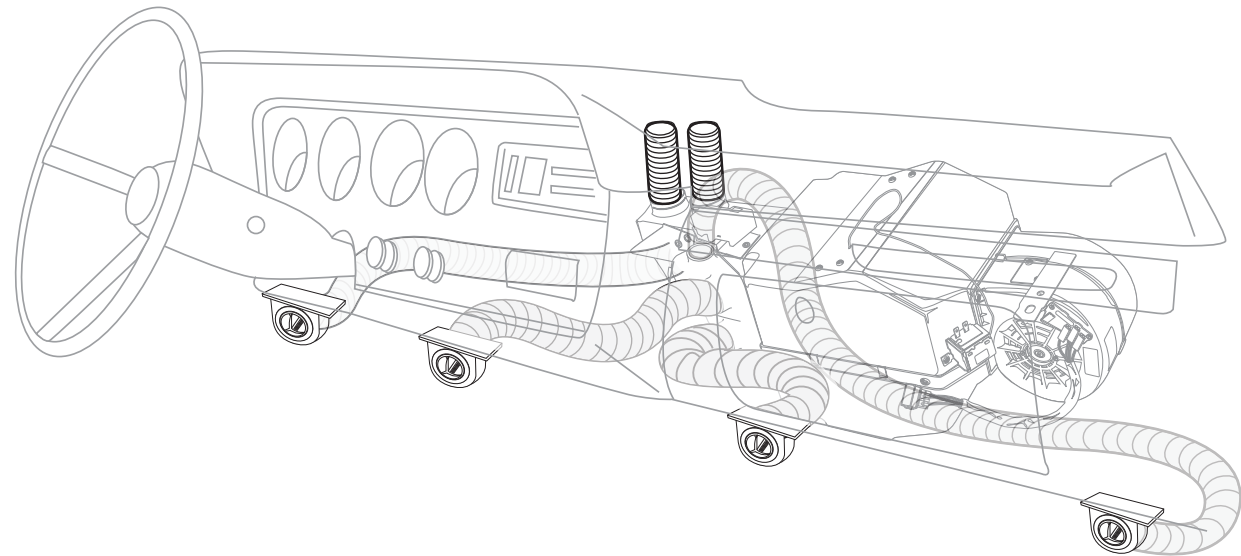
Bag Kit G: Use the included tek screws to mount the center vents on the lower dash. Position the vents so that they won't interfere with the operation of your vehicle, and that the driver and passenger will get the most benefit from their airflow.

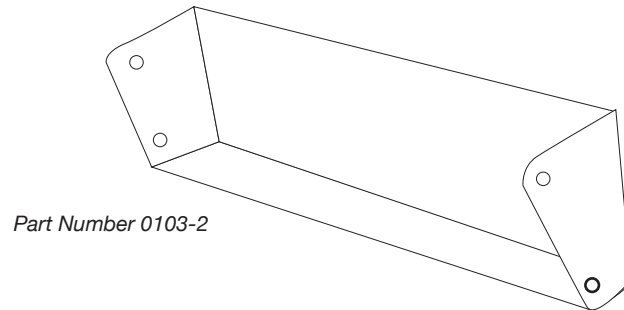


The smoother the route of the flex hoses the better the airflow.

Route supplied flex hoses as shown below. Take your time and route them so they don't become kinked or torn.

During installation of the hoses be aware of the eventual movement of the wiper arm components.



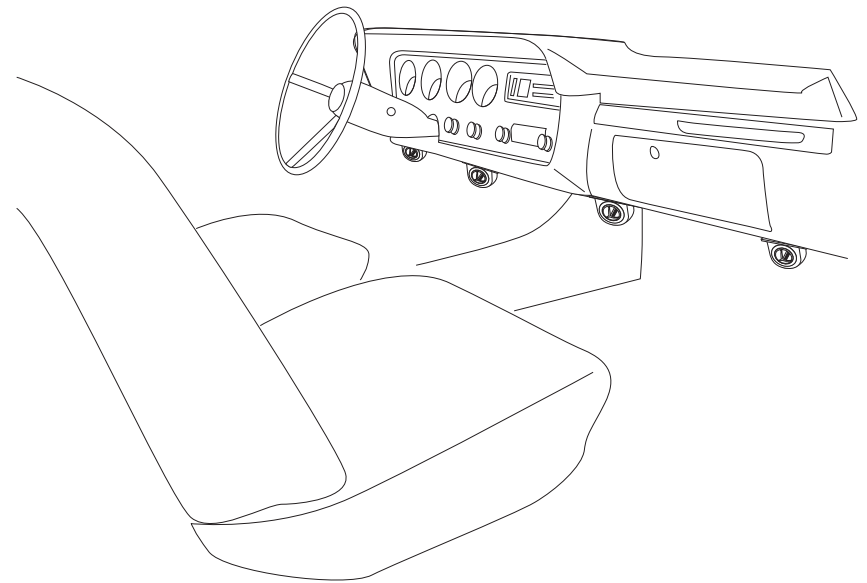


You can install the new glove box we've included at this time and any other interior components that we're removed.

This completes the interior portion of the **PERFECT FIT-ELITE** installation process. This is a good time to make a final check that all the controls still move freely and that nothing is loose or hanging down.

The interior of your car should look pretty much the same as before you started (or better). Plus you probably got to know the underside of your dash a lot better and might even have repaired or upgraded components that needed attention.

Good Job... Let's move on to the major components within the engine compartment...



If you have any questions before you move on the final phase of this installation, call us.

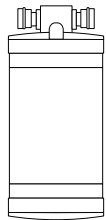
888.791.6384



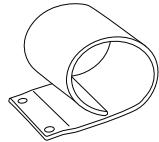
1964 ONLY

THESE ARE THE PARTS YOU WILL NEED FOR THE ENGINE COMPARTMENT INSTALLATION

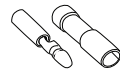
You will find all of these parts within the main box



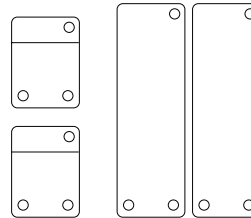
Drier



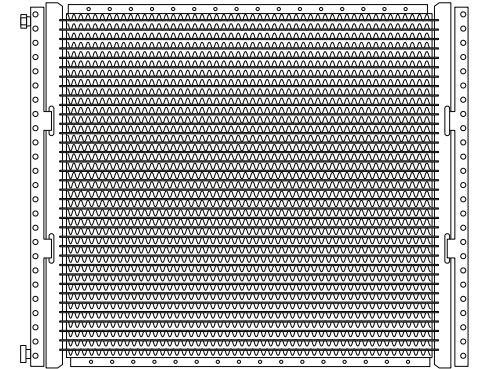
Drier Bracket



Splice and
Bullet Connector



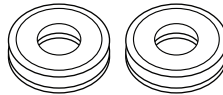
Condenser Brackets
1964 Only



Condenser
1964 Part #11-1042



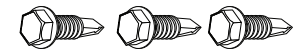
Eight #10 - 20x1/4" Screws



Two 1" Grommets



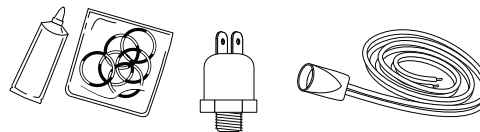
One #8 Double Hose Clamp



Three #10 - 16 x 3/4" Tek Screws



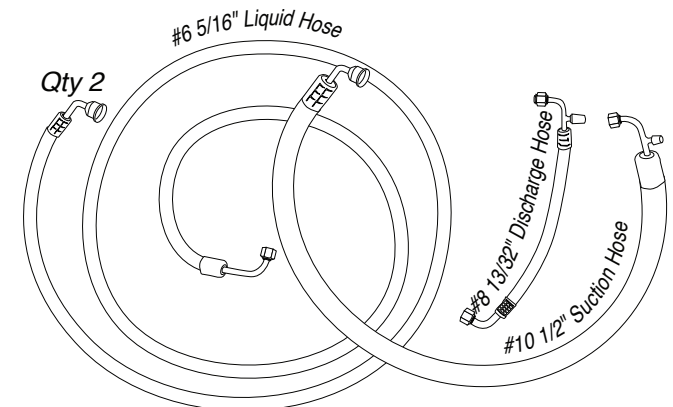
Four #20x5/8" Screws



Pressure Switch and harness,
Bag of O-rings and Mineral Oil Tube



Four 1/4" x 20 Flange Nuts



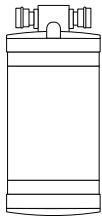
Four Refrigerant Hoses



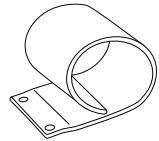
1965-67 ONLY

THESE ARE THE PARTS YOU WILL NEED FOR THE ENGINE COMPARTMENT INSTALLATION

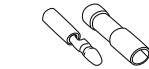
You will find all of these parts within the main box



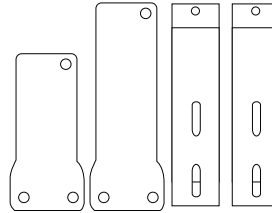
Drier



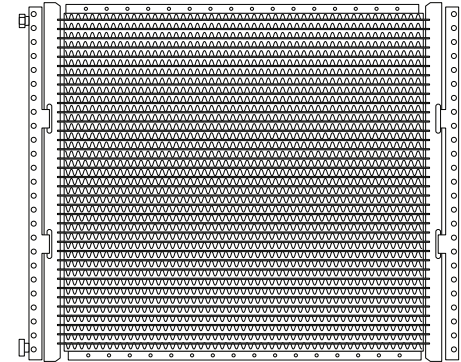
Drier Bracket



Splice and
Bullet Connector



Condenser Brackets
1965-1967



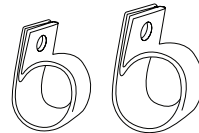
Condenser
1965-67 Part #11-1042



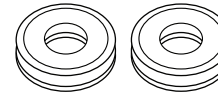
One #8 Ny-loc Nut



One #8 32x1/2" PHP



One #6 Hose Clamp
One #8 Double Hose Clamp



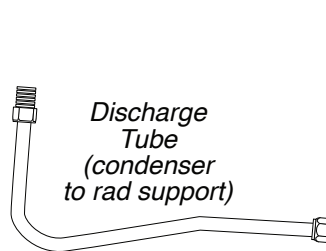
Two 1" Grommets



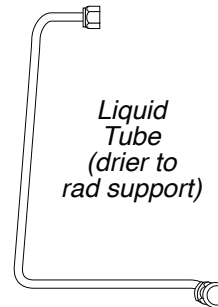
Three #10 - 16 x 3/4" Tek Screws



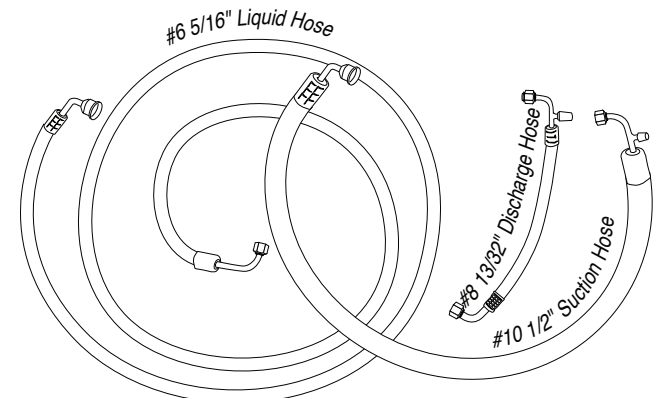
Eight #10 - 20x1/4" Screws



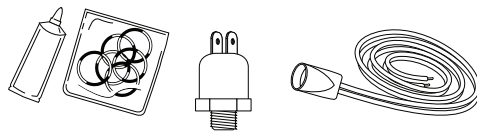
Discharge
Tube
(condenser
to rad support)



Liquid
Tube
(drier to
rad support)



Three Refrigerant Hoses



Pressure Switch and harness,
Bag of O-rings and Mineral Oil Tube

1964 MODELS ONLY

DRIER AND CONDENSER PREPARATION. Remove the head light trim bezels, the two grill inserts and the front bumper. Retain the original hardware.

On the left side just inside from the headlights, you'll need to drill two new holes in the radiator support. Drill two holes as shown in figure 14 and 15, and below. Drill hole 1 1/4" diameter holes. Install the 1 1/4" hole grommets into the drilled holes.

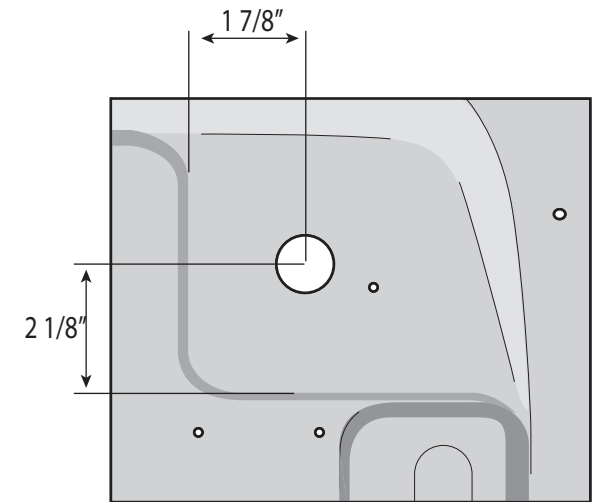
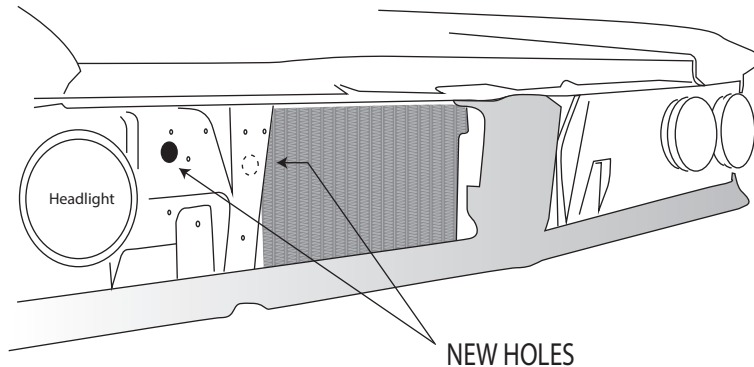


Figure 14

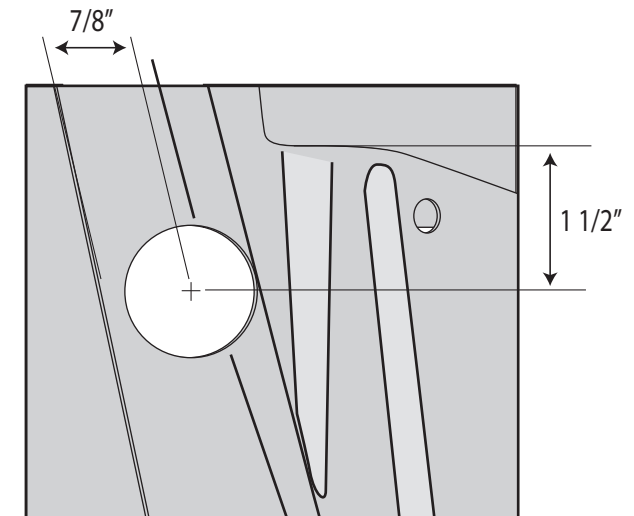


Figure 15

Locate the condenser, four condenser mounting brackets and eight #10 x 3/8" hex head screws. Attach brackets as shown in figure 16 using #10 - 20x1/4" Screws. Slide condenser assembly into place and attach to the radiator bulkhead using (4) 1/4"-20 x 5/8" hex head bolts and flange nuts (use existing holes in bulkhead). Locate the drier and drier mounting bracket from the condenser kit.

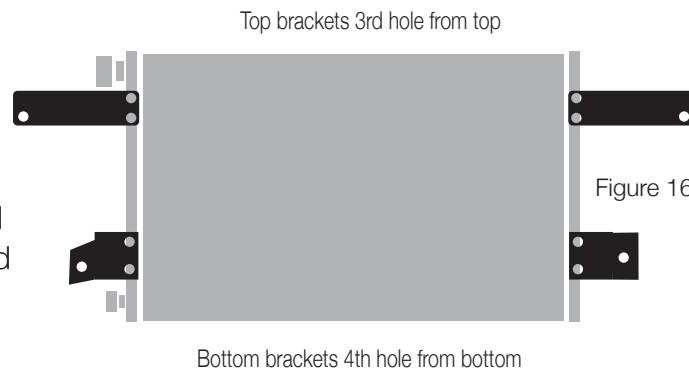


Figure 16

1964 MODELS ONLY (continued)

DRIER AND CONDENSER PREPARATION

Locate the drier and drier mounting bracket from the condenser kit. Attach to the engine side of the bulkhead using two #10 tek screws (see figure 18).

IMPORTANT NOTE: THE INLET SIDE OF THE DRIER MUST BE INLINE WITH THE HOLE IN BULKHEAD.

Locate the #6 liquid hose and two #6 o-rings. Attach the hose to the drier and the condenser using the two o-rings and a few drops of mineral oil.

Locate the discharge hose assembly and two #8 o-rings. Attach the 90 degree end without the service port to the condenser fitting. The other end goes to the compressor.

Install the pressure switch assembly using a few drops of mineral oil.

Reinstall head light trim bezels, the two grill inserts and the front bumper, using the original hardware.

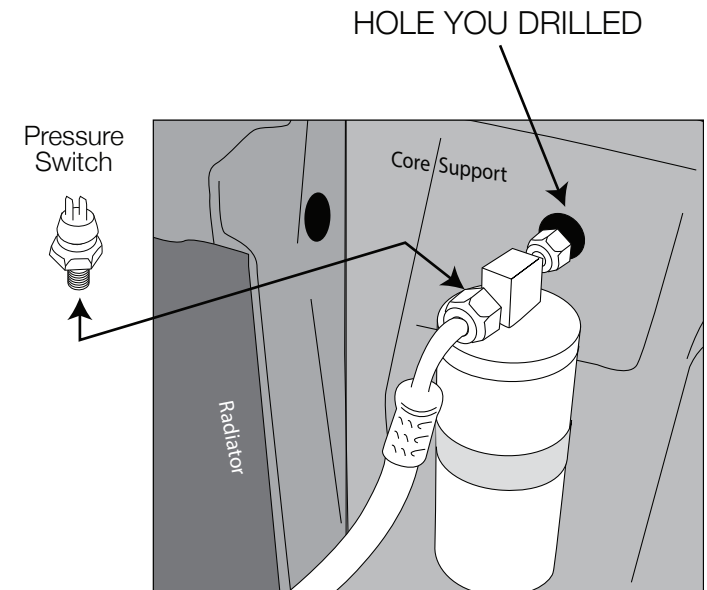


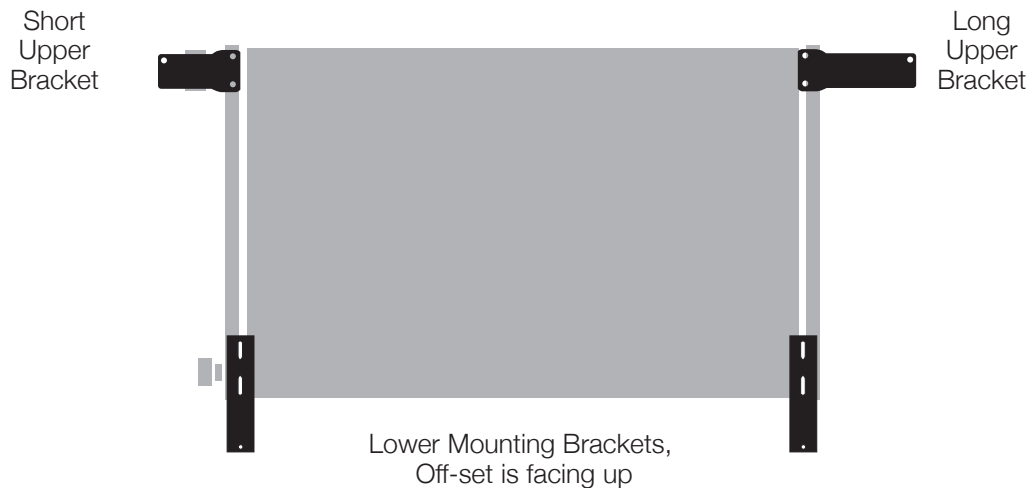
Figure 17

1965-1967 MODELS

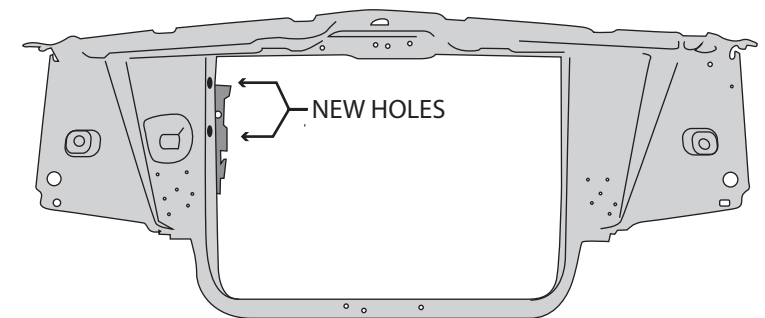
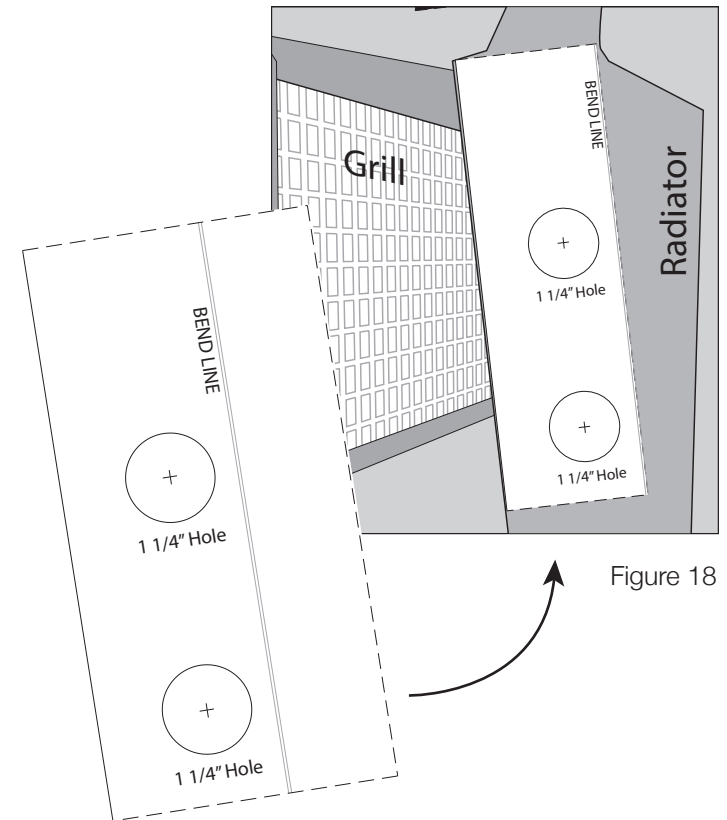
DRIER AND CONDENSER PREPARATION. Remove the fan guard or the fan shroud if equipped. Retain shroud and original hardware. Remove and retain the upper radiator mounting bracket.

Locate the template on the last page of the instructions. Cut out the template and tape into place (see figure 18). Drill the two indicated 1 1/4" dia holes. Deburr the holes with a file and install the included 1" hole grommets we've included.

Locate the Condenser, two upper condenser, two lower condenser mounting brackets, and eight #10 x 3/8" hex head screws. Attach brackets to the condenser as shown below. Loosely attach lower brackets.



Insert the condenser in front of the radiator and attach the upper mounting brackets through the existing holes in the radiator support (use two 1/4"-20 x 5/8" bolts and a flange nut). Using two #10 x 3/4" tek screws attach lower brackets to the radiator support. You can now the tighten lower condenser screws.



1965-1967 MODELS (continued)

Locate the Receiver / Drier, Drier Mounting Bracket, Aluminum Liquid tube, two #6 o-rings, and two #10 x 3/4" tek screws.

Insert the liquid tube through the grommet and attach to the lower condenser fitting. Install with a few drops of mineral oil to the o-ring fittings. Attach the drier to the top end of the liquid tube. Use one #6 o-ring and a few drops of mineral oil. Using the liquid tube as a guide attach the drier to the radiator bulkhead using two #10 tek screws through the mounting bracket. Tighten the #6 hose fittings see figure 19).

Locate the discharge tube, one #8 o-ring, 1/2" hose clamp, and one tek screw. Insert the tube through the top grommet and attach to the condenser fitting using the #8 o-ring and a few drops of mineral oil.

Attach the 1/2" hose clamp to the tube and fasten using the #10 screw.

Tighten the fitting on the condenser.

Reinstall the upper radiator mount and the shroud or the fan guard using the original hardware.

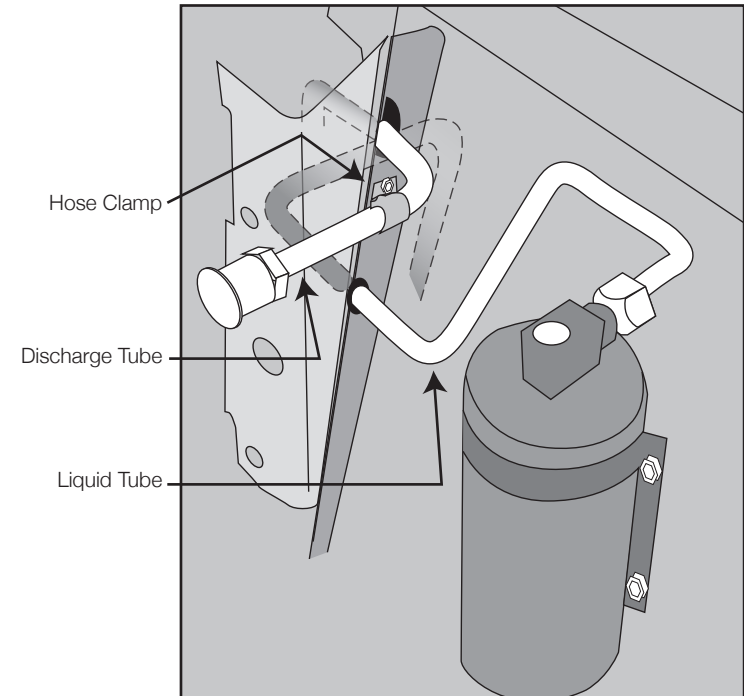
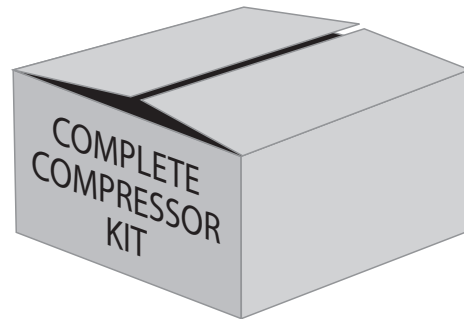


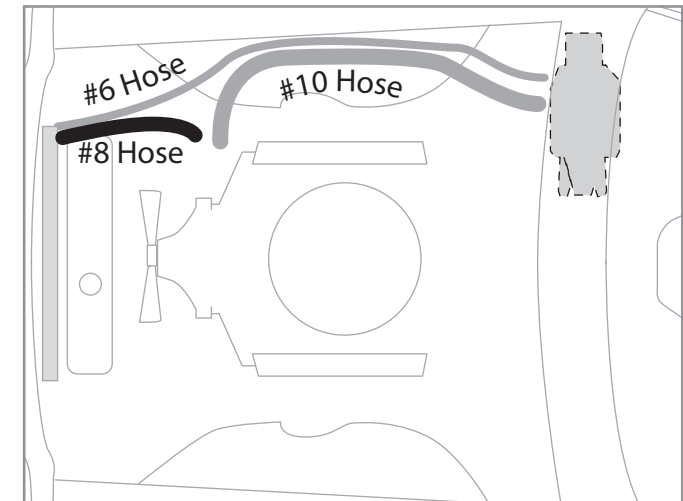
Figure 19

Time to install the compressor kit. Included in your box is a premium compressor kit with all the parts you'll need to install the compressor. This kit includes instructions specifically written for your engine. Once you've installed the complete compressor kit, continue on to connecting the hoses.

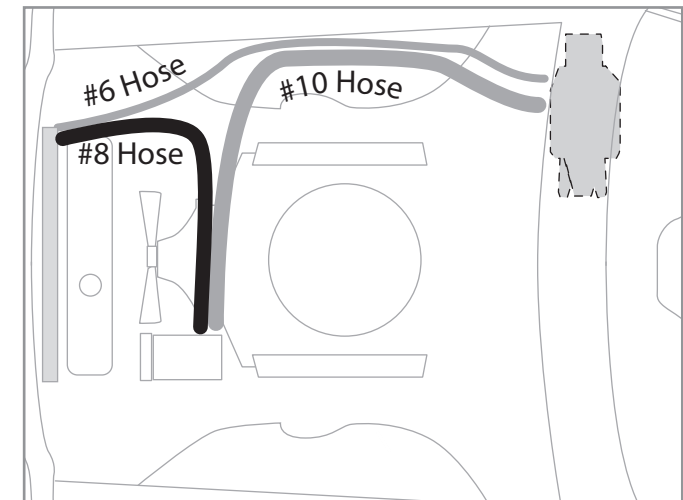


CONNECTING THE HOSES:

- 1) Attach the #8 Discharge Hose (13/32") from the connection under the core support and route to the compressor. Tighten fittings using o-rings and mineral oil provided.
- 2) Attach the #6 liquid hose (5/16") from the connection under the core support connection at the firewall on the evaporator unit (see figure 41). Tighten fittings using o-rings and mineral oil supplied in kit.
- 3) Attach the #10 suction hose (1/2") to the compressor and route as mentioned above. Tighten fittings using o-rings and mineral oil supplied in the kit.



Passenger Side Compressor



Drivers Side Compressor



Connect the pressure switch by first connecting one wire to the connection on the compressor, and the other wire will be routed along with the liquid hose and connected to the blue lead you put thru the firewall during the interior installation (for attachment route. We've included a bullet and slice connector to make these connections, use a crimp tool to secure these properly.

FINAL STEPS: Take a look around at your installation and check all fittings and bolts for tightness, check the heater hose clamps for tightness, and make sure nothing is routed in a way to obstruct any moving parts. **You can refill the radiator and reconnect the battery at this time.**

**WAY TO GO! You've just completed the installation of your new A/C system.
The very final step is to fully charge and test your new system.**

**On the next page you'll find specifications for proper final preparation
for your A/C technician.**

New A/C System Preparation... A MUST READ!

Please read through these procedures before completing this new A/C system charging operation.

A licensed A/C technician should be utilized for these procedures to insure that your new system will perform at it's peak, and that your compressor will not be damaged.



- 1) Your radiator/cooling system is an integral part of your new system. Please insure that you have a 50/50 mix of distilled water and antifreeze. The heater coil **MUST** be purged (cycle heater control valve) to make sure no water, without antifreeze, is in the heater coil before you charge the A/C system.
- 2) Evacuate the system for 45 minutes (minimum).
- 3) **Your new compressor MUST be hand-turned 15-20 revolutions before and after charging with liquid. Failure to do this may cause the reed valves to become damaged** (this damage is NOT covered by your warranty).
- 4) Your new system requires 134a refrigerant. It will require 1.5 lbs (or 24 oz).
- 5) Your new compressor comes charged with oil - NO additional oil is needed.
- 6) Insure that the new belt is tight.
- 7) **DO NOT CHARGE SYSTEM WITH LIQUID REFRIGERANT!**

RECOMMENDED TEST CONDITIONS: (After system has been fully charged and tested for basic operation)

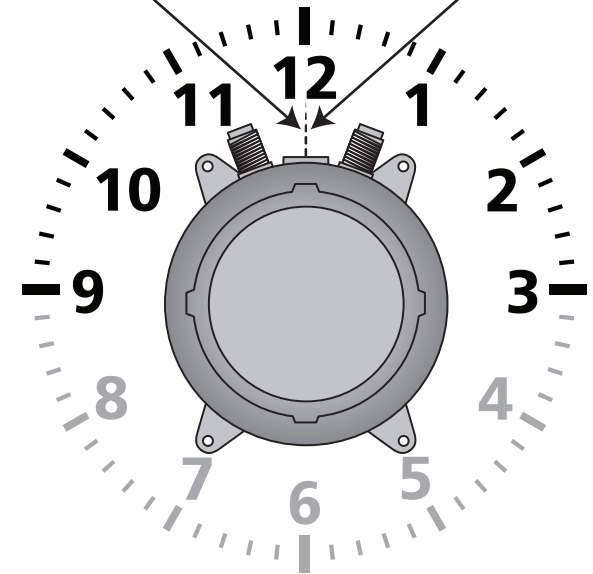
- Determine the temperature outside of the car
- Connect gauges or service equipment to high/low charging ports
- Place blower fan switch on medium
- Close all doors and windows on vehicle
- Place shop fan directly in front of condenser
- Run engine idle up to approx. 1500 rpm

ACCEPTABLE OPERATING PRESSURE RANGES:

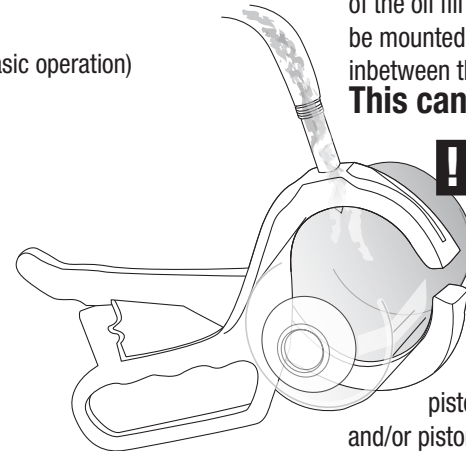
1. HIGH-SIDE PRESSURES (150-275 PSI)
2. LOW-SIDE PRESSURES (10-25 PSI in a steady state)

Readings above are based on an ambient temperature of 90° with an adequate airflow on condenser

CENTERLINE OF THE OIL FILL BOLT



CAUTION! When mounting your compressor and/or adjusting the belt use caution. Mount by using the centerline of the oil fill plug as your guide. The compressor can **ONLY** be mounted inbetween the 9 to 3 positions. DO NOT mount inbetween the 4 to 8 positions.
This can cause compressor failure.



Do NOT tilt, shake or turn refrigerant can upside-down OR use a charging station to install refrigerant while the engine is running. Doing so will direct liquid refrigerant into the compressor piston chamber, causing damage to reed valves and/or pistons and/or other components, as well as potentially seizing the compressor. Allow a minimum of 30 minutes for liquid to "boil off." You must hand turn the compressor hub (not the pulley) a minimum of 15 complete revolutions prior to starting the engine with the clutch engaged.

Trouble Shooting Your Classic Auto Air A/C System

PROBLEM: system is not cooling properly

ISSUE: cold at idle, warmer when raising engine RPM's

Make sure the Water Valve is positioned correctly

The water valve is a directional valve and should be installed with the arrow pointing towards the water pump, it should be connected to the heater hose that runs from the heater core to the water pump. If the water valve is connected to the incorrect hose it allows water to circulate through the system via the heater core over powering the cooling effect of the A/C coil, (normally the air conditioning is functioning properly).

Step 1: Check placement of the water valve, correct if needed. (In some cases changing the location of the water valve may not fix the above problem.) Continue to next step.

Step 2 If changing the location of the water valve does not rectify the issue, then possibly the water valve is permanently damaged and may need to be replaced. To check the integrity of the water valve completely remove the water hoses for the heater core and "loop" together. (This will remove the heater system completely from the possibilities) If the system now cools, replace the water valve

Verify Adequate Air Flow to Condenser

For an air conditioning system to function properly there has to be adequate airflow across the condenser. The function of the condenser is to dissipate heat, without proper airflow your system will not cool correctly in the cabin of your vehicle.

Step 1: connect gauges to a/c hoses. The pressures should be: with the ambient temp is 90, low side pressures should be between 8-25 psi, high side pressures should be between 160-260psi

Step 2: IF the low side pressures are normal and the high side pressures are high then there might be an airflow issue, continue to next step.

To test air flow to Condenser do the following three tests:

1. Place a piece of paper on the condenser with the car in idle and see if paper is held in place.
2. With car in idle, attach gages, and place a large capacity fan in front of the condenser. What happens to the pressures?
3. With car still in idle and gages attached, pour water down the front of the condenser. What happens to the pressures?

If the paper is held in place you are at least getting some air flow. If the high side decreases during test 2 & 3 then your condenser is not getting enough air which is causing your system to not cool properly. To correct this issue you will need a more powerful mechanical fan.

Step 3: Confirm correct Refrigerant charge in System

All of our systems should be charged with 24oz or 1.8lbs of R134 Refrigerant only. If overcharged you will need to evacuate the system and recharge with the correct amount.*

What measurements mean:

Low Temp and High Pressure seem to be equal...

You have a malfunctioning expansion valve that is stuck open.

High Side is extremely high and Low Side is extremely low (possibly into vacuum)...

There is a blockage in the system. Remove hoses and blow compressed air through in both directions. If pressures don't change its possible that your expansion valve is stuck closed and would have to be replaced.

***Compressor Concerns:**

This is often misdiagnosed as a problem for the system not cooling properly. If you have a noisy compressor it is due to improper charging of refrigerant. An overcharged (more than 24oz or 1.8lbs R134) compressor can cause rattling. If charged with pure liquid there is a high probability you have bent reed valves that are causing tapping sound.

TROUBLESHOOTING GUIDE

TEST CONDITIONS USED TO DETERMINE SYSTEM OPERATION

(THESE TEST CONDITIONS WILL SIMULATE THE AFFECT OF DRIVING THE VEHICLE AND GIVE THE TECHNICIAN THE THREE CRITICAL READINGS THAT THEY WILL NEED TO DIAGNOSE ANY POTENTIAL PROBLEMS).

- B. CONNECT GAUGES OR SERVICE EQUIPMENT TO HIGH/LOW CHARGING PORTS.
- C. PLACE BLOWER FAN SWITCH ON MEDIUM.
- D. CLOSE ALL DOORS AND WINDOWS ON VEHICLE.
- E. PLACE SHOP FAN IN FRONT OF CONDENSER.
- F. RUN ENGINE IDLE UP TO 1500 RPM.

ACCEPTABLE OPERATING PRESSURE RANGES (R134A TYPE)

1. HIGH-SIDE PRESSURES (150-250 PSI) *Note- general rule of thumb is two times the ambient (daytime) temperature, plus 15-20%.
2. LOW-SIDE PRESSURES (15-25 PSI in a steady state).

CHARGE AS FOLLOWS: R134A = 24 OZ.

NO ADDITIONAL OIL IS NECESSARY IN OUR NEW COMPRESSORS.

TYPICAL PROBLEMS ENCOUNTERED IN CHARGING SYSTEMS

NOISY COMPRESSOR. *A noisy compressor is generally caused by charging a compressor with liquid or overcharging*

- A. If the system is overcharged both gauges will read abnormally high readings. This is causing a feedback pressure on the compressor causing it to rattle or shake from the increased cylinder head pressures. System must be evacuated and re-charged to exact weight specifications.
- B. **Heater control valve installation** - Installing the heater control valve in the incorrect hose. Usually when this occurs the system will cool at idle then start to warm up when raising the RPM's of the motor. **THE HEATER CONTROL IS A DIRECTIONAL VALVE; MAKE SURE THE WATER FLOW IS WITH THE DIRECTION OF THE ARROW.** As the engine heats up that water transfers the heat to the coil, thus overpowering the a/c coil. A leaking or faulty valve will

have a more pronounced affect on the unit's cooling ability. Installing the valve improperly (such as having the flow reversed) will also allow water to flow through, thus inhibiting cooling. Check for heat transfer by disconnecting hoses from the system completely. By running down the road with the hoses looped backed through the motor, you eliminate the possibility of heat transfer to the unit.

- C. **Evaporator freezing** - Freezing can occur both externally and internally on an evaporator core. External freeze up occurs when the coil cannot effectively displace the condensation on the outside fins and the water forms ice (the evaporator core resembles a block of solid ice), it restricts the flow of air that can pass through it, which gives the illusion of the air not functioning. The common cause of external freezing is the setting of the thermostat and the presence of high humidity in the passenger compartment. All door and window seals should be checked in the event of constant freeze-up. A thermostat is provided with all units to control the cycling of the compressor.
- D. **Internal freeze up** occurs when there is too much moisture inside the system. The symptoms of internal freeze up often surface after extended highway driving. The volume of air stays constant, but the temperature of the air gradually rises. When this freezing occurs the low side pressure will drop, eventually going into a vacuum. At this point, the system should be checked by a professional who will evacuate the system and the drier will have to be changed.
- E. **Inadequate airflow to condenser** - The condenser works best in front of the radiator with a large supply of fresh air. Abnormally high pressures will result from improper airflow. Check the airflow requirements by placing a large capacity fan in front of the condenser and running cool water over the surface. If the pressures drop significantly, this will indicate the need for better airflow.
- F. **Incorrect or inadequate condenser capacity** - Incorrect condenser capacity will cause abnormally high head pressures. A quick test that can be performed is to run cool water over the condenser while the system is operating, if the pressures decrease significantly, it is likely a airflow or capacity problem.
- G. **Expansion valve failure** - An expansion valve failure is generally caused by dirt or debris entering the system during assembly. If an expansion valve fails it will be indicated by abnormal gauge readings. A valve that is blocked will be indicated by high side that is unusually high, while the low side will be unusually low or may even go into a vacuum. A valve that is stuck open will be indicated by both the high and low pressures rising to unusually high readings, seeming to move toward equal readings on the gauges.
- H. **Restrictions in system** - A restriction in the cooling system will cause abnormal readings on the gauges. A high-side restriction (between the compressor and the drier inlet) will be indicated by the discharge gauges reading excessively high. These simple tests can be performed by a local shop and can help determine the extent of the systems problem.

Trouble Shooting Your Classic Auto Air A/C System

PROBLEM: system is not cooling properly
ISSUE: cold at idle, warmer when raising engine RPM's

Make sure the Water Valve is positioned correctly

The water valve is a directional valve and should be installed with the arrow pointing towards the water pump, it should be connected to the heater hose that runs from the heater core to the water pump. If the water valve is connected to the incorrect hose it allows water to circulate through the system via the heater core over powering the cooling effect of the A/C coil, (normally the air conditioning is functioning properly).

Step 1: Check placement of the water valve, correct if needed. (In some cases changing the location of the water valve may not fix the above problem.) Continue to next step.

Step 2 If changing the location of the water valve does not rectify the issue, then possibly the water valve is permanently damaged and may need to be replaced. To check the integrity of the water valve completely remove the water hoses for the heater core and "loop" together. (This will remove the heater system completely from the possibilities) If the system now cools, replace the water valve

Verify Adequate Air Flow to Condenser

For an air conditioning system to function properly there has to be adequate airflow across the condenser. The function of the condenser is to dissipate heat, without proper airflow your system will not cool correctly in the cabin of your vehicle.

Step 1: connect gauges to a/c hoses. The pressures should be: with the ambient temp is 90, low side pressures should be between 8-25 psi, high side pressures should be between 160-260psi

Step 2: IF the low side pressures are normal and the high side pressures are high then there might be an airflow issue, continue to next step.

To test air flow to Condenser do the following three tests:

1. Place a piece of paper on the condenser with the car in idle and see if paper is held in place.
2. With car in idle, attach gages, and place a large capacity fan in front of the condenser. What happens to the pressures?
3. With car still in idle and gages attached, pour water down the front of the condenser. What happens to the pressures?

If the paper is held in place you are at least getting some air flow. If the high side decreases during test 2 & 3 then your condenser is not getting enough air which is causing your system to not cool properly. To correct this issue you will need a more powerful mechanical fan.

Step 3: Confirm correct Refrigerant charge in System

All of our systems should be charged with 24oz or 1.8lbs of R134 Refrigerant only. If overcharged you will need to evacuate the system and recharge with the correct amount.*

What measurements mean:

Low Temp and High Pressure seem to be equal...

You have a malfunctioning expansion valve that is stuck open.

High Side is extremely high and Low Side is extremely low (possibly into vacuum)...

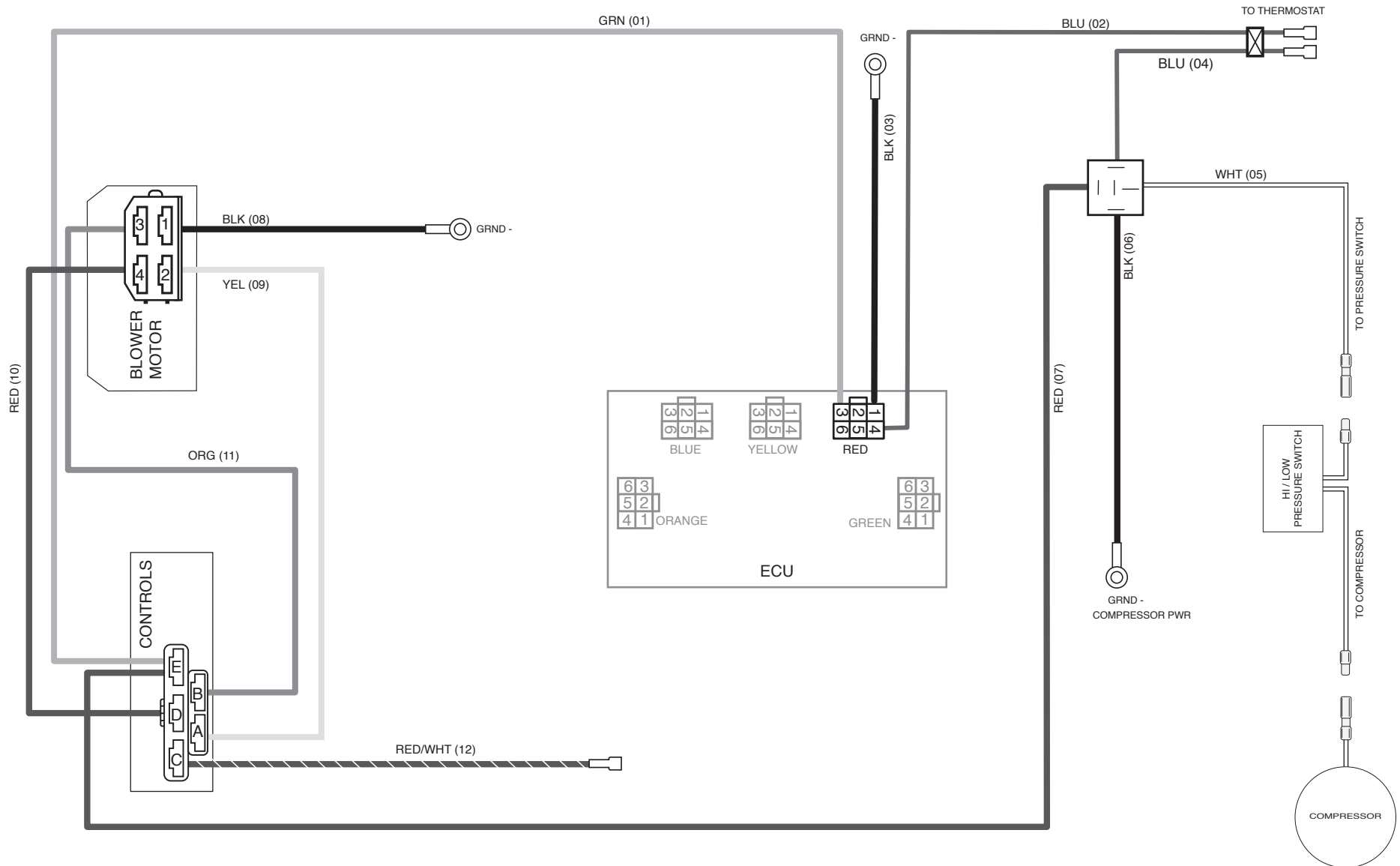
There is a blockage in the system. Remove hoses and blow compressed air through in both directions. If pressures don't change its possible that your expansion valve is stuck closed and would have to be replaced.

***Compressor Concerns:**

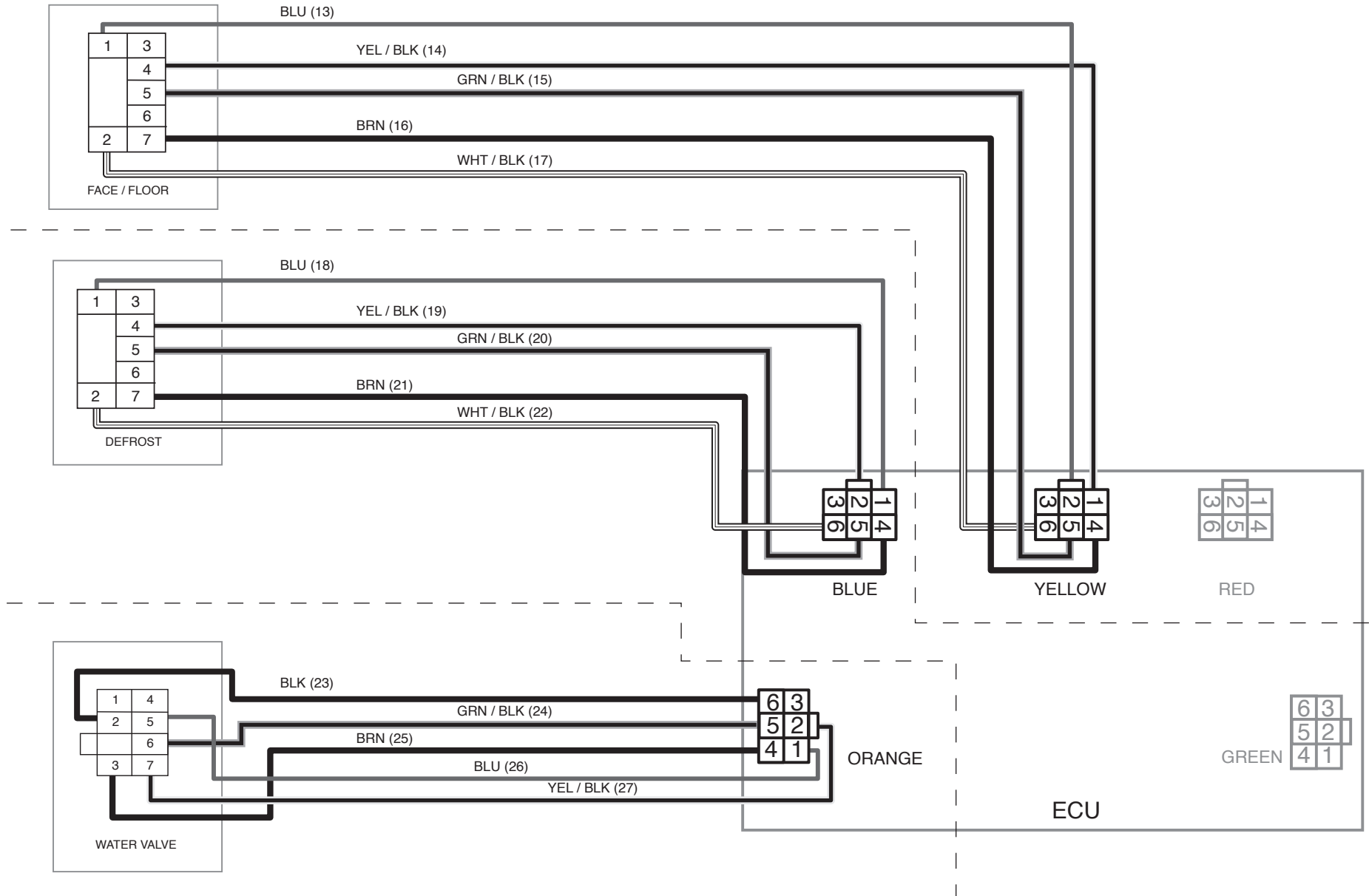
This is often misdiagnosed as a problem for the system not cooling properly. If you have a noisy compressor it is due to improper charging of refrigerant. An overcharged (more than 24oz or 1.8lbs R134) compressor can cause rattling. If charged with pure liquid there is a high probability you have bent reed valves that are causing tapping sound.

Wiring Schematic

MAIN POWER HARNESS / CONTROL HARNESS

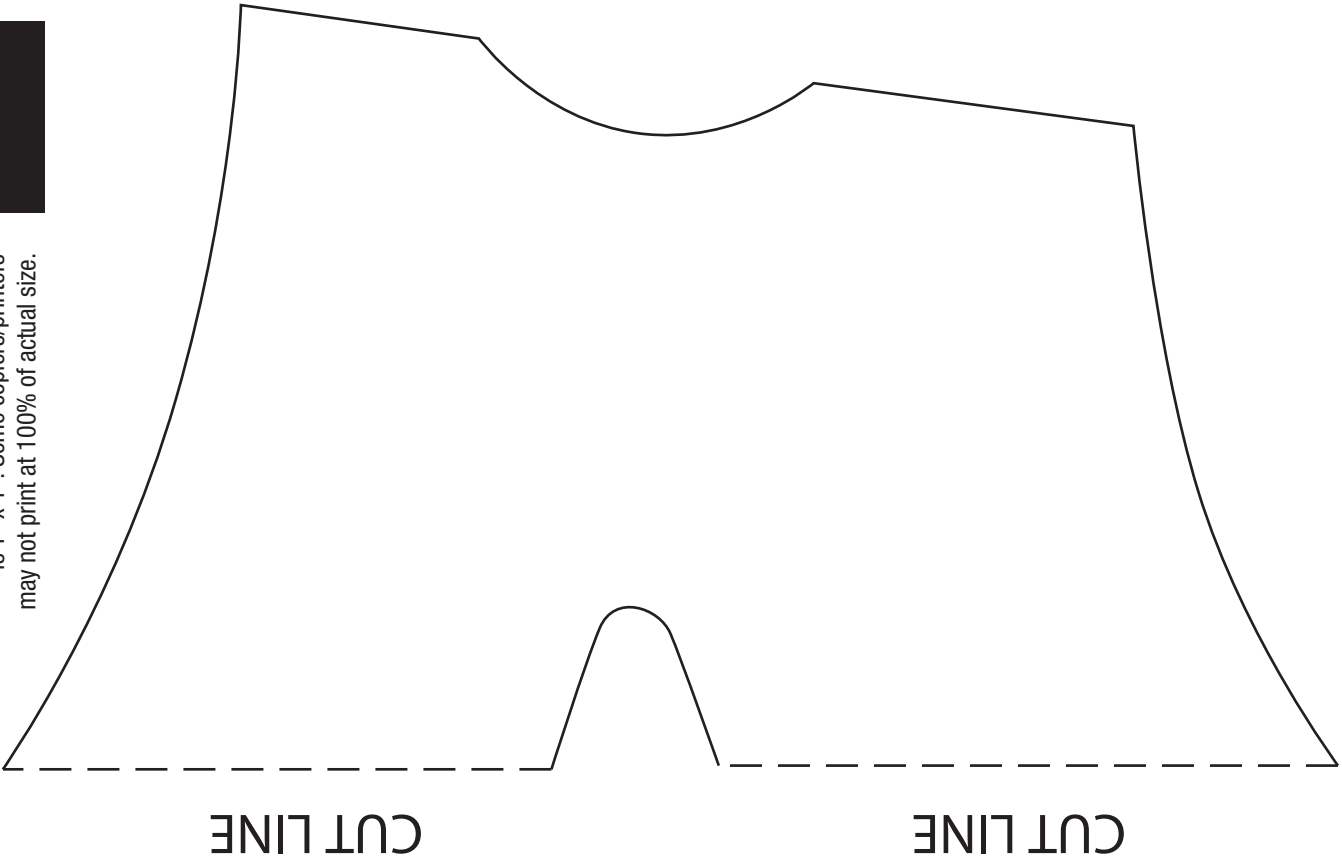


Wiring Schematic / REVERSE



DEFROST DUCT TEMPLATE

**IF YOU PRINTED THIS MANUAL
PLEASE READ THIS...**
Just as a cautionary step, please
measure this box and make sure it
is 1" x 1". Some copiers/printers
may not print at 100% of actual size.



IF YOU PRINTED THIS MANUAL

PLEASE READ THIS...

Just as a cautionary step, please measure this box and make sure it is 1" x 1". Some copiers/printers may not print at 100% of actual size.

