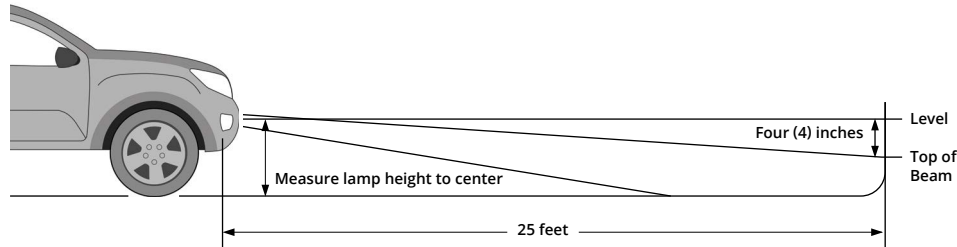


13. When desired aiming is reached, gently remove the assembly to fully tighten the 5/32" allen bolts down. Do not overtighten or use power tools to torque them down.

14. Reinstall the assembly on the vehicle. There will be a slight gap between the bracket's bezel and bumper opening. Ensure the lamp is centered in the fog pocket with even gaps around the bezel.

15. Reinstall the splash guard using the OEM push rivets to complete installation.



Please contact **Diode Dynamics** should you have any questions about the installation or wiring process, at **314-205-3033** (10a-5p CST) or contact@diodedynamics.com.

NEED MORE HELP?

Scan the QR code to link to our installation video online!

We've taken the time to test our products on your vehicle. We can guarantee compatibility and fitment the first time – no guessing game! If you need more help with installation, watch our step-by-step video to walk you through the process.



This installation guide is for the following SKUs:

SS3 Sport Type OB Kit White SAE Driving (**DD6635** W/O BL, **DD7067** ABL)
 SS3 Sport Type OB Kit White SAE Fog (**DD6636** W/O BL, **DD7068** ABL)
 SS3 Sport Type OB Kit Yellow SAE Fog (**DD6637** W/O BL, **DD7069** ABL)
 SS3 Pro Type OB Kit White SAE Driving (**DD6638** W/O BL, **DD7070** ABL)

SS3 Pro Type OB Kit White SAE Fog (**DD6639** W/O BL, **DD7071** ABL)
 SS3 Pro Type OB Kit Yellow SAE Fog (**DD6640** W/O BL, **DD7072** ABL)
 SS3 Max Type OB Kit White SAE Fog (**DD6708** W/O BL, **DD7073** ABL)
 SS3 Max Type OB Kit Yellow SAE Fog (**DD6709** W/O BL, **DD7074** ABL)

**100% SATISFACTION
GUARANTEE**



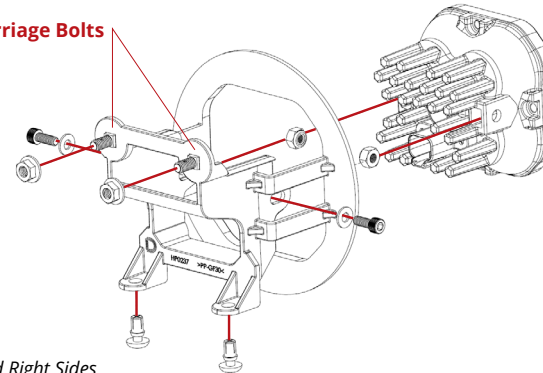
Thank you for your purchase of our new SS3 Type OB Foglight Kit. CAD-designed to use existing mounting points, this kit is compatible with the 2005-2009 and 2013-2019 Subaru Outback. Basic installation instructions are included below.

Please contact us if you have any questions.

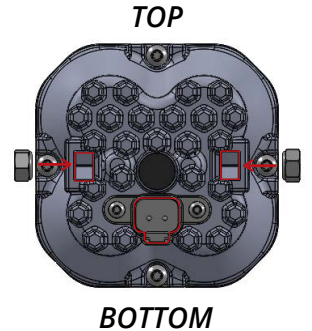
COMPUTER DESIGNED
OEM FITMENT



M6 Carriage Bolts



Left and Right Sides

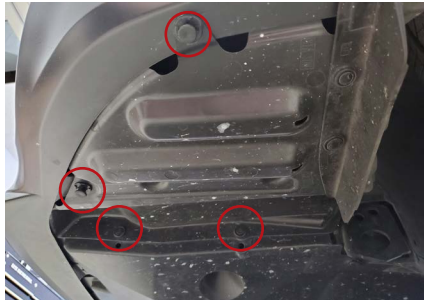


BOTTOM

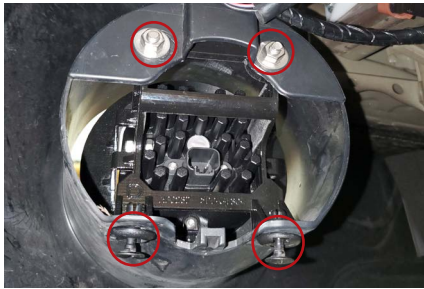
1. Install the two included M6 carriage bolts on the bracket as shown above. We recommend using a small amount of adhesive to prevent them from falling out during installation.

2. Install the supplied nuts into the pod housing with the nylon facing inward. Attach the bracket to the pod using the supplied screws and washers. Make sure the bracket is in the correct orientation. See diagrams above. Ensure that the screws are tightened such that the pod retains its position, but can pivot with force for aiming.

See inside for further instructions.



3. Use a plastic trim removal tool to remove the four push rivets on the outer splash guard. Gently pry the splash guard down to gain access to the fog lights. The splash guard will still be connected to the inner fender liner. It should not be necessary to completely remove it unless desired.



4. Unplug the fog lamp connector. Use a plastic trim removal tool to remove the two plastic push rivets along the bottom of the lamp. Holding the front face of the lamp, use a 10mm socket to remove the two nuts and gently pull the lamp out the front of the bumper opening.



5. Using the OEM hardware, loosely install the bracket and pod in the fog pocket. Install the nuts hand-tight and do not snap the push rivets down as the pod will need to be removed to lock-in final aiming.

6. Plug the SS3 into the factory fog light harness using the included DT wire adapter. Both 9006-size and H11-size DT adapter wires are included with the kit. Select the adapter wire that matches your factory connector. Test function. If the light does not turn on, try flipping the connector 180°.

If you purchased backlit SS3 pods, connect the included 2-pin to 4-pin adapter wire in-line between the pod and the DT 2-pin wire adapter. Then connect the backlight power wire to a fused 12V source to trigger the backlight feature (i.e. parking light or sidemarker); T-Taps are included for this purpose. Check local laws and regulations for on-road use of backlight feature.

NOTE: Power source must be fused. Do not connect directly to vehicle battery.

7. Repeat the steps on the other side of the vehicle.

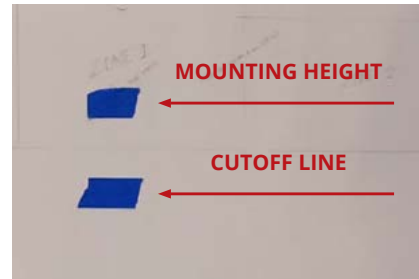
Aiming Instructions



8. Park your vehicle 25 feet away from a wall or garage door on a level surface.

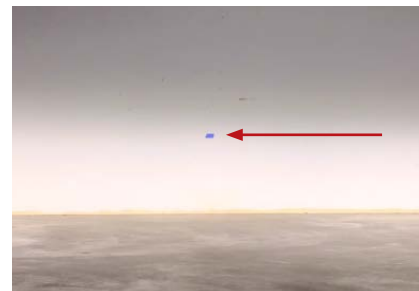


9. On your vehicle, measure the distance between the ground and the center of your SS3 pod. This is your mounting height.



10. Mark the mounting height on the wall or garage door using tape.

11. Add another piece of tape four inches below the mounting height. This is your fog light cutoff line.



12. Aim your SS3 pods on each side, so that the top of the beam pattern is on the cutoff line mark.

See back for further instructions.