



Safety glasses should be worn at all times while installing this product.

YEARS: 2012-CURRENT

MAKE: HYUNDAI

MODEL: VELOSTER & VELOSTER TURBO

STYLE: HATCHBACK

WARNING: NEVER EXCEED YOUR VEHICLE MANUFACTURER'S RECOMMENDED TOWING CAPACITY

WEIGHT CARRYING:
 TRAILER WEIGHT: 1,000 LBS.
 TONGUE WEIGHT: 100 LBS.

WARNING:
 WE RECOMMEND THE USE OF 18050 STABILIZING STRAPS FOR ALL NON-TRAILER (WHEEL-LESS) LOADS. PLEASE SEE THE CURT CATALOG OR VISIT US ONLINE AT WWW.CURTMFG.COM FOR FURTHER INFORMATION.

INSTALLATION TIME: 30 MIN.

THE INSTALL TIME LISTED IS FOR PROFESSIONAL INSTALLERS. IF YOU ARE HESITANT TO UNDERTAKE THIS TASK ON YOUR OWN, CONTACT AN AUTHORIZED CURT INSTALLER FOR ADDITIONAL ASSISTANCE.

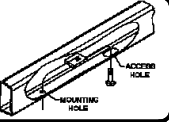

INSTALLATION REQUIRES:

 10mm 11/16" 3/4" SOCKET	 RATCHET	 8" SOCKET EXTENSION
 DRILL BIT 1/2"	 POWER DRILL	 TORQUE WRENCH
 SAFETY GLASSES		

INSTALLATION TIPS:

- BEFORE YOU BEGIN INSTALLATION, READ ALL INSTRUCTIONS THOROUGHLY.
- TO EASE INSTALLATION, 2 PEOPLE MAY BE REQUIRED.
- USING PROPER TOOLS WILL GREATLY IMPROVE THE QUALITY OF THE INSTALL AND REDUCE THE TIME REQUIRED.
- NEED HELP OR HAVE SOME QUESTIONS? CALL TECHNICAL SUPPORT AT 800.798.0813

LEVEL OF DIFFICULTY: MODERATE

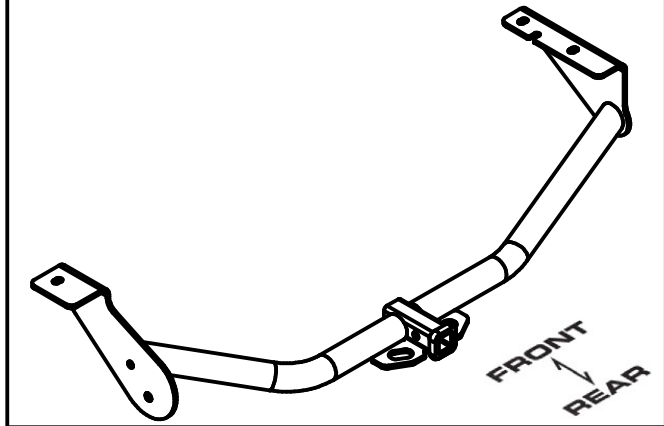
EASY	MODERATE	CHALLENGING
	FISHWIRE HARDWARE	
	ENLARGE ONE HOLE	

VEHICLE PHOTO:



REPRESENTATIVE PHOTO

HITCH ILLUSTRATION:



MAKE SURE YOUR HITCH MATCHES

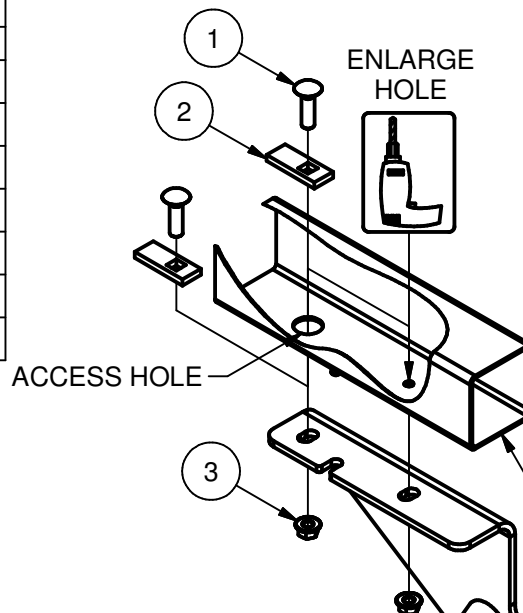
PERIODICALLY CHECK THIS RECEIVER HITCH TO ENSURE ALL FASTENERS ARE TIGHT AND ALL STRUCTURAL COMPONENTS ARE SOUND

CURT Manufacturing LLC. warrants this product to be free of defects in material and/or workmanship at the time of retail purchase by the original purchaser. If the product is found to be defective, Curt Manufacturing LLC. may repair or replace the product at their option, when the product is returned, prepaid, with proof of purchase. Alteration to, misuse of, or improper installation of this product voids the warranty. Curt Manufacturing LLC.'s liability is limited to repair or replacement of products found to be defective, and specifically excludes liability for incidental or consequential loss or damage.

For more information log onto www.curtmfg.com, & for helpful towing tips log onto www.hitchinfo.com

INSTALLATION WALKTHROUGH:

Parts List			
ITEM	QTY	PART NUMBER	DESCRIPTION
1	3	7/16-14 x 1 1/2	CARRIAGE BOLT
2	3	CM-SP2	.250 x .88 x 2.25" SQUARE HOLE SPACER
3	3	7/16-14	HEX FLANGE NUT
4	3	7_16 FISHWIRE	7/16" FISHWIRE
5	1	1/2 - 13 x 2"	CARRIAGE BOLT
6	1	CM-SP6	.250 x 1.00 x 3.00" SQUARE HOLE SPACER
7	1	HFN 1213	HEX FLANGE NUT



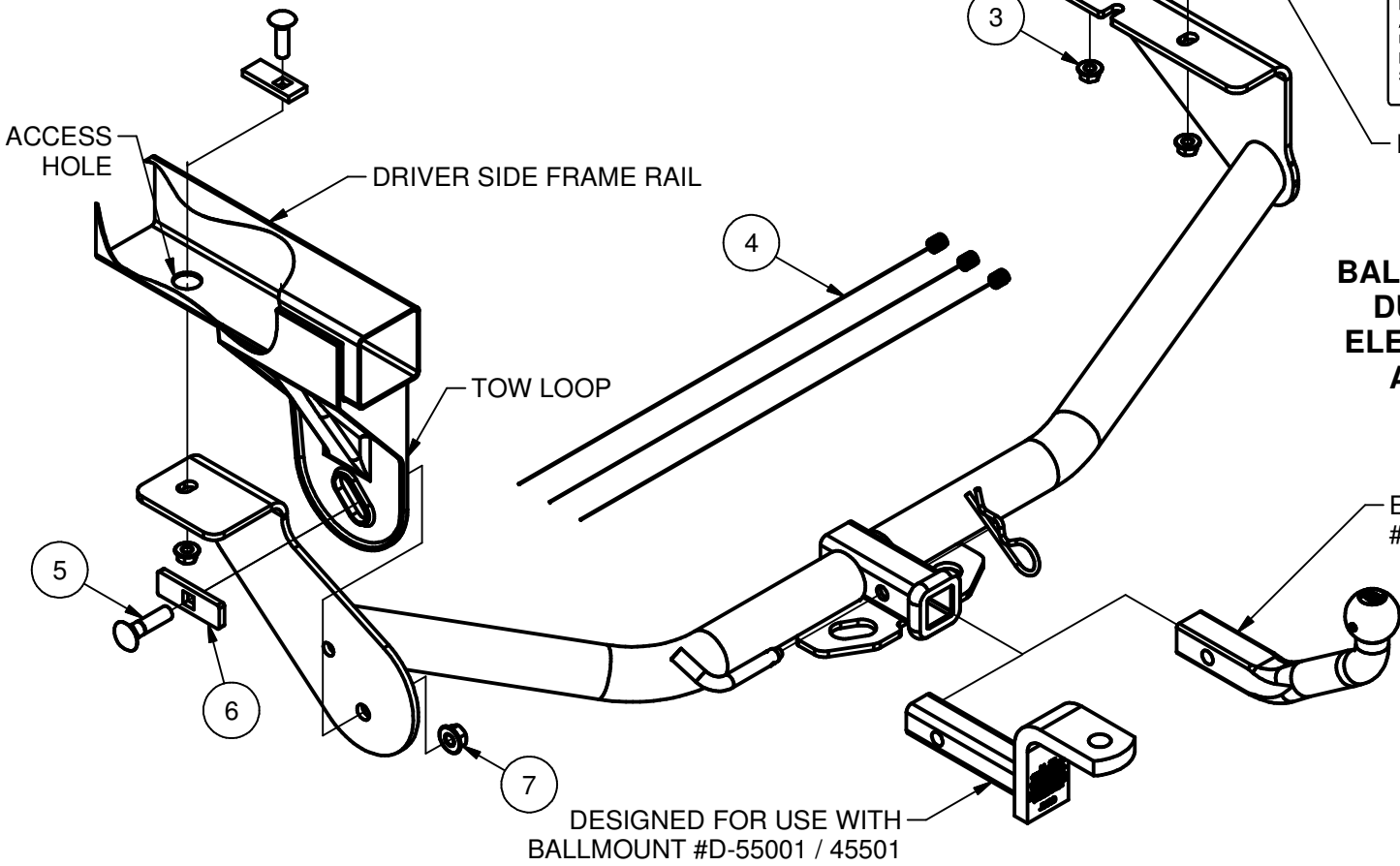
REVERSE PULL FISHWIRE TECHNIQUE

ATTACH FISHWIRE TO CARRIAGE BOLT AND SLIDE SPACER ONTO FISHWIRE. PUSH THE BOLT THRU THE HOLE FOLLOWED BY THE SPACER (AS SHOWN). PULL BOLT BACK INTO POSITION, PROTRUDING FROM THE FRAME.

FISHWIRE TECHNIQUE

INSERT COILED END OF FISHWIRE TOOL THROUGH HITCH MOUNTING HOLE IN VEHICLE FRAME RAIL AND OUT THE ACCESS HOLE. PASS COILED END OF FISHWIRE THROUGH SPACER AND THREAD BOLT INTO COIL. KINK WIRE TO KEEP SPACER SEPERATE FROM BOLT AS SHOWN. PULL FISHWIRE, SPACER, AND BOLT THROUGH FRAME AND OUT MOUNTING HOLE. USE FISHWIRE TO GUIDE HITCH DURING MOUNTING AND PREVENT LOSS OF BOLT / SPACER INSIDE FRAME RAIL.

NOTE: SOME VEHICLES MAY FISHWIRE THROUGH END OF FRAME



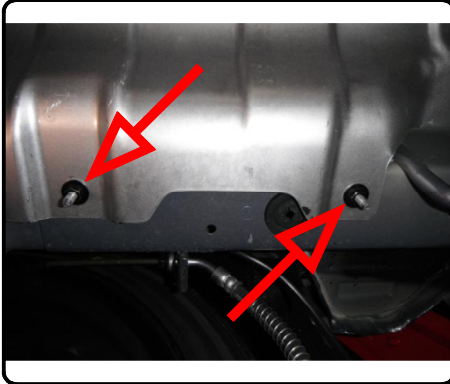
CAUTION:
BALLMOUNT MAY BECOME HOT
DUE TO CENTER EXHAUST!
ELECTRICAL WIRING MUST BE
A MINIMUM OF 12" FROM
EXHAUST TIPS!

EURO MOUNT OPTION AVAILABLE
 #45571 (1 7/8" BALL) #45572 (2" BALL)

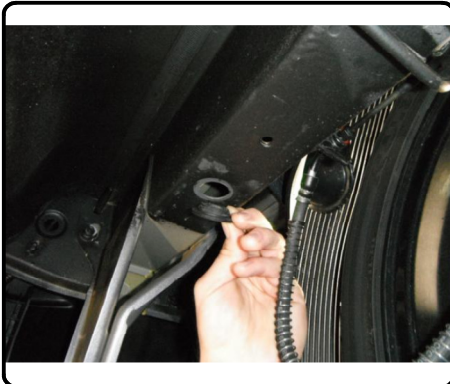


INSTALLATION WALKTHROUGH:

1. Remove two M8 nuts which hold heat shield to frame rail and bend heat shield down slightly.



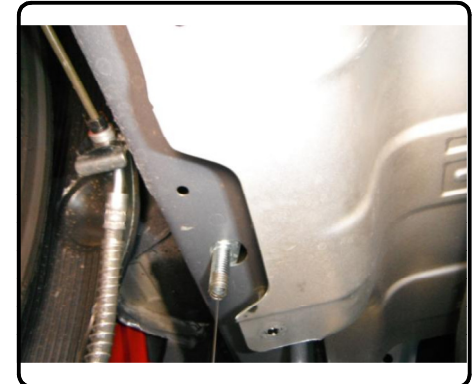
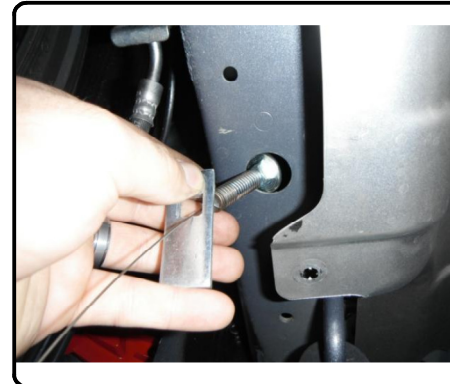
2. Remove one rubber plug from each frame rail and return to vehicle owner. Enlarge rearmost hole on passenger side frame rail using a 1/2" drill bit.



3. Fishwire 7/16" carriage bolt with CM-SP2 spacer through the access hole in the passenger side frame rail into the hole enlarged in step 2. See FISHWIRE TECHNIQUE on page 2. **Note:** Leave fishwires attached to all 7/16" hardware to prevent loss of hardware inside frame rail.

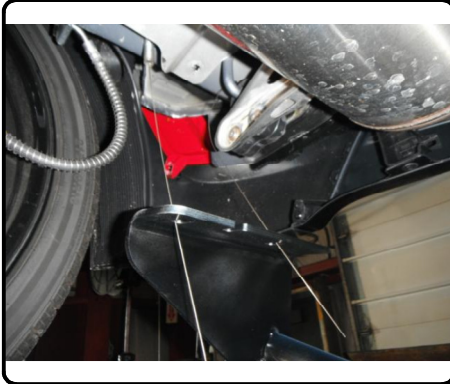


4. Reverse fishwire 7/16" carriage bolt with CM-SP2 spacer into access hole on both sides. See REVERSE PULL FISHWIRE TECHNIQUE on page 2.



INSTALLATION WALKTHROUGH:

5. Using the fishwires as a guide raise hitch into position. Remove fishwires and loosely attach 7/16" flange nuts. **Note:** Hitch will be placed between frame rail and heat shield.



6. Place 1/2" carriage bolt with CM-SP6 spacer through tow loop and hitch and secure hitch to tow loop with 1/2" flange nut.

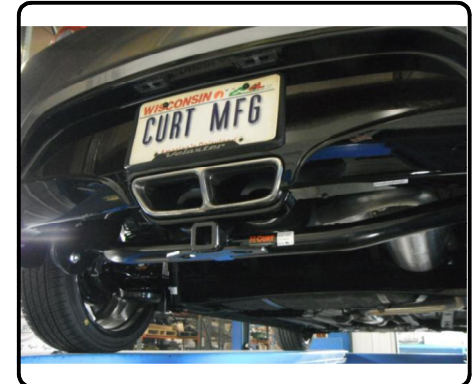
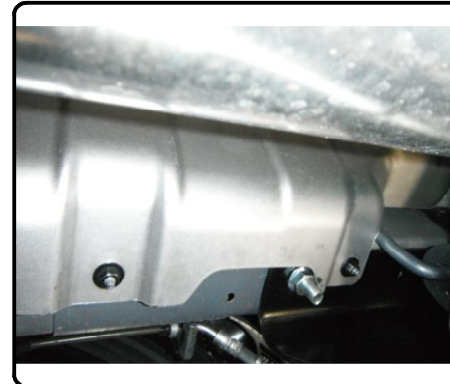


7. Torque all 7/16" hardware to 70 ft-lbs and all 1/2" hardware to 110 ft-lbs.



8. Reinstall the two M8 nuts removed in step 1.

CAUTION: BALLMOUNT MAY BECOME HOT DUE TO CENTER EXHAUST! ELECTRICAL WIRING MUST BE A MINIMUM OF 12" FROM EXHAUST TIPS!



11254

HYUNDAI VELOSTER

12/7/2012

GROSS LOAD CAPACITY WHEN USED AS A WEIGHT CARRYING HITCH: 1,000 LBS. TRAILER WEIGHT & 100 LBS. TONGUE WEIGHT.

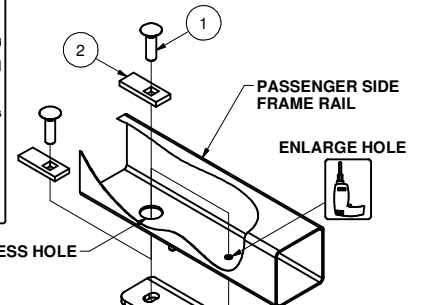
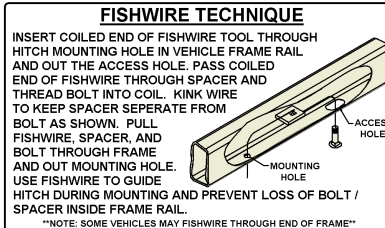
DO NOT EXCEED VEHICLE MANUFACTURER'S RECOMMENDED TOWING CAPACITY.

WARNING: ALL NON-TRAILER LOADS APPLIED TO THIS PRODUCT MUST BE SUPPORTED BY 18050 STABILIZING STRAPS.

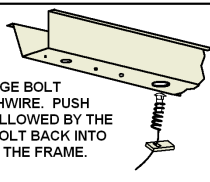
** FAILURE TO PROPERLY SUPPORT NON-TRAILER LOADS WILL VOID PRODUCT WARRANTY**

HAVING INSTALLATION QUESTIONS? CALL TECHNICAL SUPPORT AT 1-800-798-0813

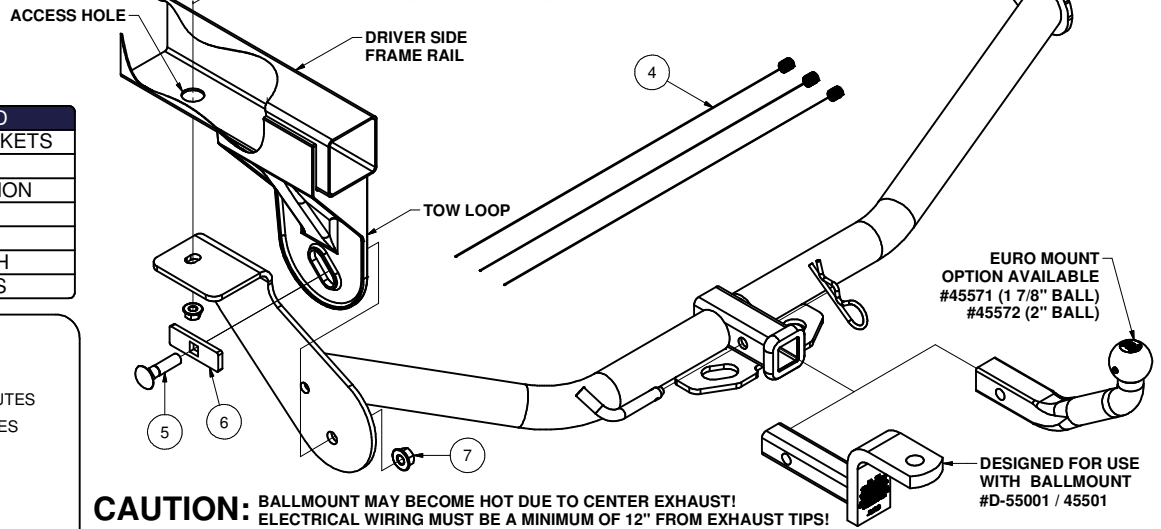
Parts List			
ITEM	QTY	PART NUMBER	DESCRIPTION
1	3	7/16-14 x 1 1/2	CARRIAGE BOLT
2	3	CM-SP2	.250 x .88 x 2.25" SQUARE HOLE SPACER
3	3	7/16-14	HEX FLANGE NUT
4	3	7_16 FISHWIRE	7/16" FISHWIRE
5	1	1/2 - 13 x 2"	CARRIAGE BOLT
6	1	CM-SP6	.250 x 1.00 x 3.00" SQUARE HOLE SPACER
7	1	HFN 1213	HEX FLANGE NUT

**REVERSE PULL FISHWIRE TECHNIQUE**

ATTACH FISHWIRE TO CARRIAGE BOLT AND SLIDE SPACER ONTO FISHWIRE. PUSH THE BOLT THRU THE HOLE FOLLOWED BY THE SPACER (AS SHOWN). PULL BOLT BACK INTO POSITION, PROTRUDING FROM THE FRAME.



FRONT
REAR

**TOOLS REQUIRED**

M10, 11/16" & 3/4" SOCKETS
RATCHET
8" SOCKET EXTENSION
1/2" DRILL BIT
DRILL
TORQUE WRENCH
SAFETY GLASSES

HITCH WEIGHT: 30 LBS.

INSTALL TIME

PROFESSIONAL: 30 MINUTES

NOVICE (DIY): 60 MINUTES

INSTALL NOTES:

- FISHWIRE HARDWARE
- ENLARGE ONE HOLE

INSTALLATION STEPS

1. Remove two M8 nuts which hold heat shield to frame rail and bend heat shield down slightly.
2. Remove one rubber plug from each frame rail and return to vehicle owner. Enlarge rearmost hole on passenger side frame rail using a 1/2" drill bit.
3. Fishwire 7/16" carriage bolt with CM-SP2 spacer through the access hole in the passenger side frame rail into the hole enlarged in step 2. See FISHWIRE TECHNIQUE above. **Note:** Leave fishwires attached to all 7/16" hardware to prevent loss of hardware inside frame rail.
4. Reverse fishwire 7/16" carriage bolt with CM-SP2 spacer into access hole on both sides. See REVERSE PULL FISHWIRE TECHNIQUE above.
5. Using the fishwires as a guide raise hitch into position. **Note:** Hitch will be placed between frame rail and heat shield. Remove fishwires and loosely attach 7/16" flange nuts.
6. Place 1/2" carriage bolt with CM-SP6 spacer through tow loop and hitch and secure hitch to tow loop with 1/2" flange nut, as shown above.
7. Torque all 7/16" hardware to 70 ft-lbs and all 1/2" hardware to 110 ft-lbs and reinstall the two M8 nuts removed in step 1.

PERIODICALLY CHECK THIS RECEIVER HITCH TO ENSURE THAT ALL FASTENERS ARE TIGHT AND THAT ALL STRUCTURAL COMPONENTS ARE SOUND.

Curt Manufacturing LLC., warrants this product to be free of defects in material and/or workmanship at the time of retail purchase by the original purchaser. If the product is found to be defective, Curt Manufacturing LLC., may repair or replace the product, at their option, when the product is returned, prepaid, with proof of purchase. Alteration to, misuse of, or improper installation of this product voids the warranty. Curt Manufacturing LLC.'s liability is limited to repair or replacement of products found to be defective, and specifically excludes liability for incidental or consequential loss or damage.