

**11746****90-97 MAZDA MIATA**

12/5/2012

GROSS LOAD CAPACITY WHEN USED AS A WEIGHT CARRYING HITCH: 2,000 LBS. TRAILER WEIGHT &amp; 200 LBS. TONGUE WEIGHT.

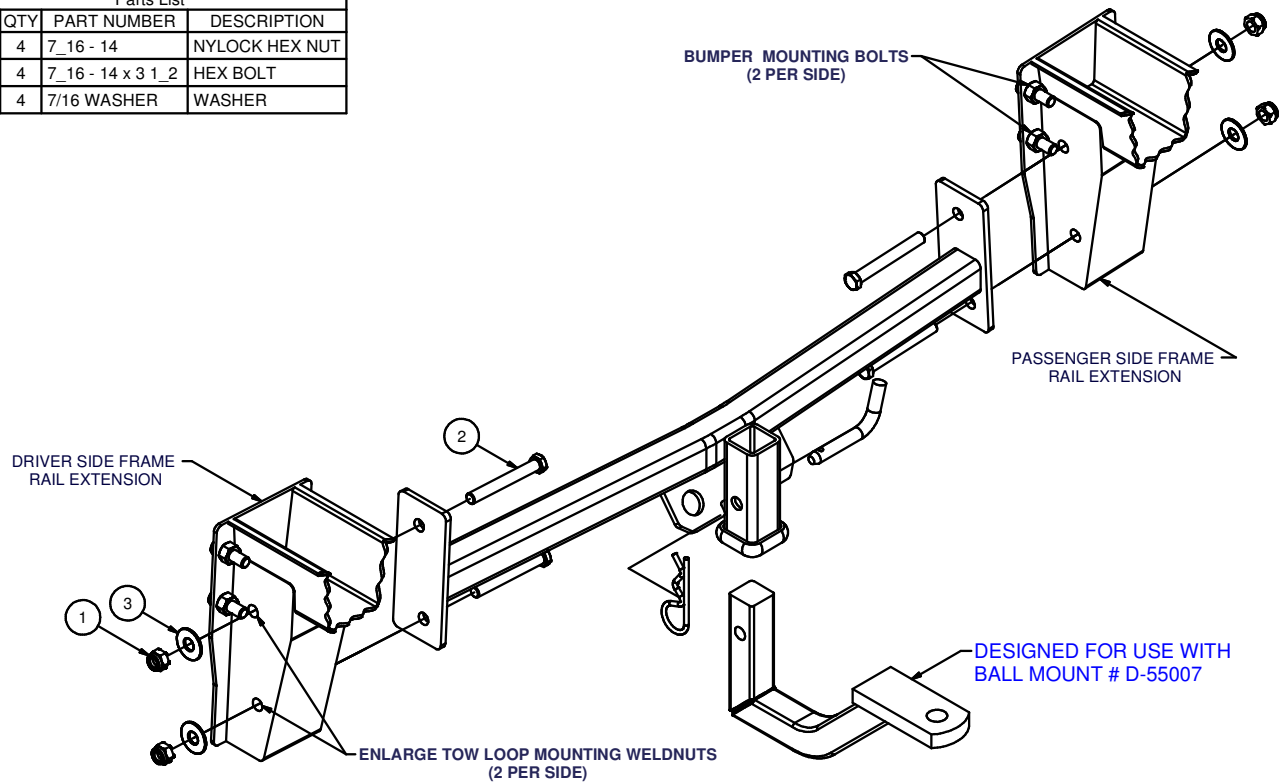
**\*\*\*DO NOT EXCEED VEHICLE MANUFACTURER'S RECOMMENDED TOWING CAPACITY.\*\*\***

WARNING: ALL NON-TRAILER LOADS APPLIED TO THIS PRODUCT MUST BE SUPPORTED BY 18050 STABILIZING STRAPS.

**\*\* FAILURE TO PROPERLY SUPPORT NON-TRAILER LOADS WILL VOID PRODUCT WARRANTY\*\***

HAVING INSTALLATION QUESTIONS? CALL TECHNICAL SUPPORT AT 1-800-798-0813

Parts List			
ITEM	QTY	PART NUMBER	DESCRIPTION
1	4	7_16 - 14	NYLOCK HEX NUT
2	4	7_16 - 14 x 3 1_2	HEX BOLT
3	4	7/16 WASHER	WASHER



HITCH WEIGHT: 21 LBS.

INSTALL TIME

PROFESSIONAL: 45 MINUTES

NOVICE (DIY): 90 MINUTES

INSTALL NOTES:

- HOLE ENLARGEMENT REQUIRED
- REMOVE TOW LOOP BRACKETS

**INSTALLATION STEPS**

1. This hitch mounts to the driver and passenger side frame rail extensions under the tow loop brackets.
2. Under the rear of the vehicle, locate the passenger side tow loop bracket attached to the frame rail extensions. Remove the tow loop bracket by removing (2) nuts from the bumper mounting bolts and (2) 8mm bolts in the frame rail extensions. Replace the (2) nuts removed from the bumper mounting bolts. Repeat the same procedure for the driver's side tow loop bracket. Return brackets to the vehicle's owner for reinstallation if the hitch is ever removed.
3. On the frame rail extensions, enlarge existing 8mm weldnuts to approximately 15/32" to allow the 7/16" fasteners to pass through the frame rail extensions.
4. Position the hitch on the vehicle, matching the holes in the frame rail extensions with the enlarged holes in the hitch plate. Install fasteners as shown.
5. Torque all 7/16" fasteners to 70 lb-ft.

**PERIODICALLY CHECK THIS RECEIVER HITCH TO ENSURE THAT ALL FASTENERS ARE TIGHT AND THAT ALL STRUCTURAL COMPONENTS ARE SOUND.**

Curt Manufacturing Inc., warrants this product to be free of defects in material and/or workmanship at the time of retail purchase by the original purchaser. If the product is found to be defective, Curt Manufacturing Inc., may repair or replace the product, at their option, when the product is returned, prepaid, with proof of purchase. Alteration to, misuse of, or improper installation of this product voids the warranty. Curt Manufacturing Inc.'s liability is limited to repair or replacement of products found to be defective, and specifically excludes liability for incidental or consequential loss or damage.