

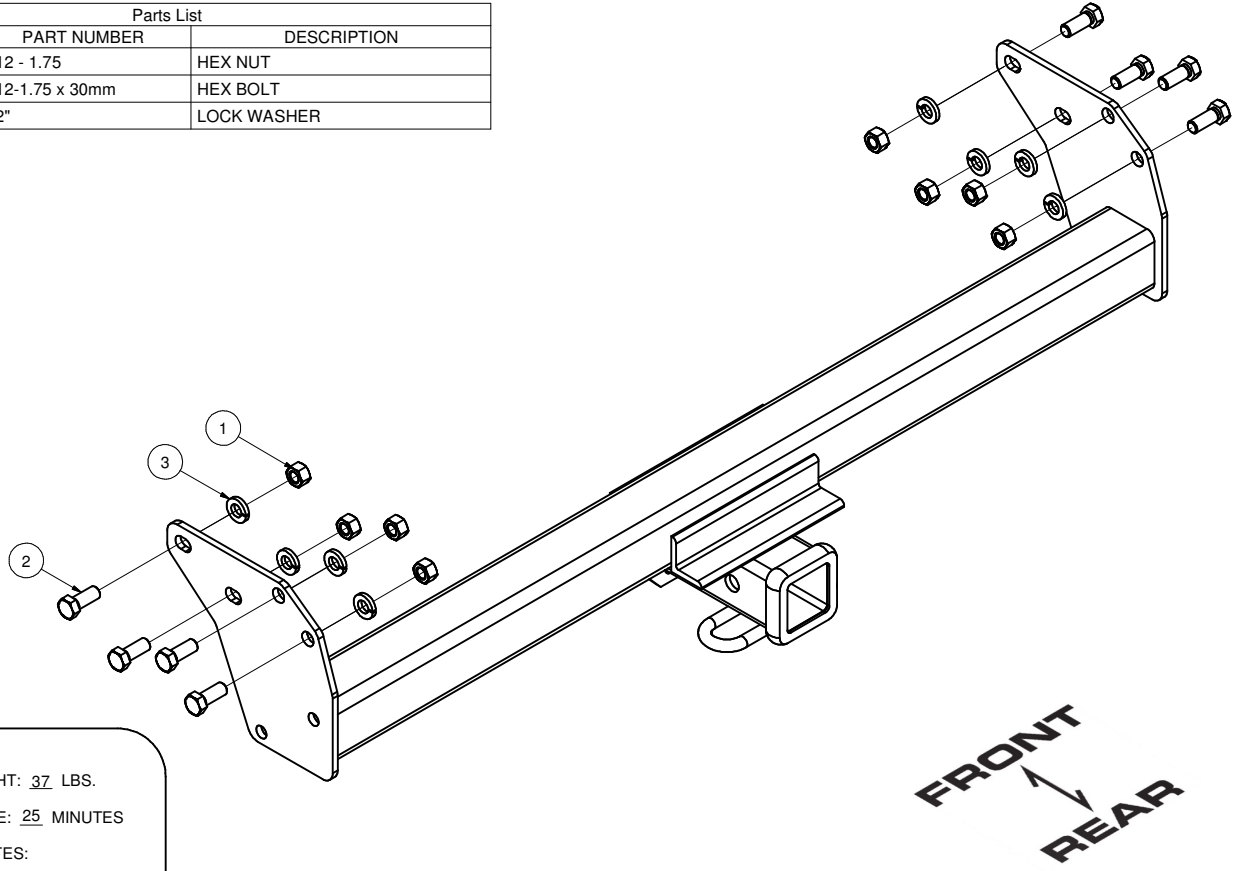


13083 83-94 CHEVY/GMC BLAZER, JIMMY, S10/S15, 2 & 4 DR
 91-94 CHEVY/GMC OLDSMOBILE BRAVADA

10/5/2012

GROSS LOAD CAPACITY WHEN USED AS A WEIGHT CARRYING HITCH: **5,000 LBS. TRAILER WEIGHT & 500 LBS. TONGUE WEIGHT.**
 GROSS LOAD CAPACITY WHEN USED AS A WEIGHT DISTRIBUTION HITCH: **6,000 LBS. TRAILER WEIGHT & 600 LBS. TONGUE WEIGHT.**
*****DO NOT EXCEED VEHICLE MANUFACTURER'S RECOMMENDED TOWING CAPACITY.*****

Parts List			
ITEM	QTY	PART NUMBER	DESCRIPTION
1	8	M12 - 1.75	HEX NUT
2	8	M12-1.75 x 30mm	HEX BOLT
3	8	1/2"	LOCK WASHER



HITCH WEIGHT: 37 LBS.
 INSTALL TIME: 25 MINUTES
 INSTALL NOTES:
NO DRILLING REQUIRED

INSTALLATION STEPS

- 1) Remove all fasteners which hold the inner and outer bumper brackets to frame.
- 2) Loosen, but do not remove the bolts which hold the outer bumper brackets to the bumper. Slide the outer bumper brackets away from the frame.
- 3) Position the hitch over the frame, lining up the holes and slots in the hitch with the bumper bracket mounting holes in the frame.
- 4) Loosely install the existing fasteners through the hitch, frame and inner bumper brackets.
- 5) Slide outer bumper brackets back into position. The hitch should be sandwiched between the outer bumper brackets and the frame.
- 6) Install the remaining fasteners
- 7) Tighten fasteners at frame connection to 110 ft-lbs.
- 8) Tighten fasteners at outer bumper bracket bumper connections.

PERIODICALLY CHECK THIS RECEIVER HITCH TO ENSURE THAT ALL FASTENERS ARE TIGHT AND THAT ALL STRUCTURAL COMPONENTS ARE SOUND.

Curt Manufacturing Inc., warrants this product to be free of defects in material and/or workmanship at the time of retail purchase by the original purchaser. If the product is found to be defective, Curt Manufacturing Inc., may repair or replace the product, at their option, when the product is returned, prepaid, with proof of purchase. Alteration to, misuse of, or improper installation of this product voids the warranty. Curt Manufacturing Inc.'s liability is limited to repair or replacement of products found to be defective, and specifically excludes liability for incidental or consequential loss or damage.