



Safety glasses should be worn at all times while installing this product.

YEARS: 2010-PRESENT

MAKE: MERCEDES BENZ

MODEL: ML350 BlueTEC, GL350 BlueTEC AWD, GL450, & GL550

STYLE: SUV

**WARNING: NEVER EXCEED YOUR VEHICLE MANUFACTURER'S RECOMMENDED TOWING CAPACITY**

**WEIGHT CARRYING:**  
 TRAILER WEIGHT: 3,500 LBS.  
 TONGUE WEIGHT: 350 LBS.

**WARNING:**  
 WE RECOMMEND THE USE OF 18050 STABILIZING STRAPS FOR ALL NON-TRAILER (WHEEL-LESS) LOADS. PLEASE SEE THE CURT CATALOG OR VISIT US ONLINE AT [WWW.CURTMFG.COM](http://WWW.CURTMFG.COM) FOR FURTHER INFORMATION.

**INSTALLATION TIME: 60 MIN.**

THE INSTALL TIME LISTED IS FOR PROFESSIONAL INSTALLERS. IF YOU ARE HESITANT TO UNDERTAKE THIS TASK ON YOUR OWN, CONTACT AN AUTHORIZED CURT INSTALLER FOR ADDITIONAL ASSISTANCE.

**INSTALLATION TIPS:**

- BEFORE YOU BEGIN INSTALLATION, READ ALL INSTRUCTIONS THOROUGHLY.
- TO EASE INSTALLATION, 2 PEOPLE MAY BE REQUIRED.
- USING PROPER TOOLS WILL GREATLY IMPROVE THE QUALITY OF THE INSTALL AND REDUCE THE TIME REQUIRED.
- NEED HELP OR HAVE SOME QUESTIONS? CALL TECHNICAL SUPPORT AT 800.798.0813

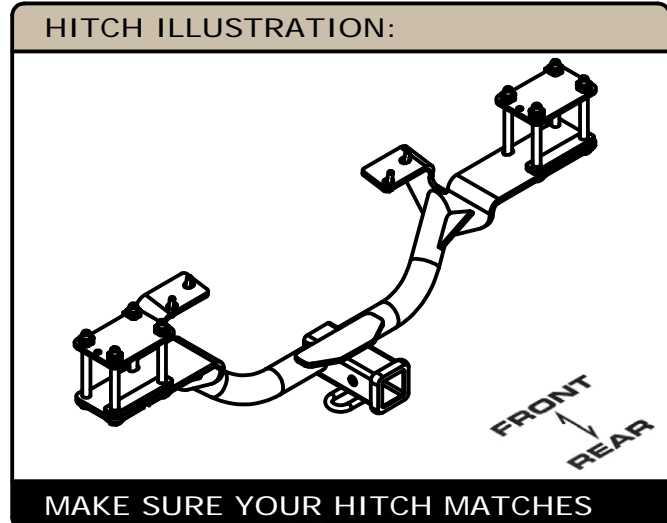


**INSTALLATION REQUIRES:**

RATCHET	3" 6" 9" SOCKET EXTENSION	8mm 10mm 13mm 3/4" SOCKET
TORQUE WRENCH	BOXED END WRENCH 10mm	T-25 TORXBIT SOCKET
AVIATION SHEARS	SAFETY GLASSES	

**LEVEL OF DIFFICULTY: MODERATE**

EASY	MODERATE	CHALLENGING
	- LOWER EXHAUST	
	- TEMPORARILY REMOVE EXHAUST TIPS AND EXHAUST BRACKETS	
	- NO DRILL	



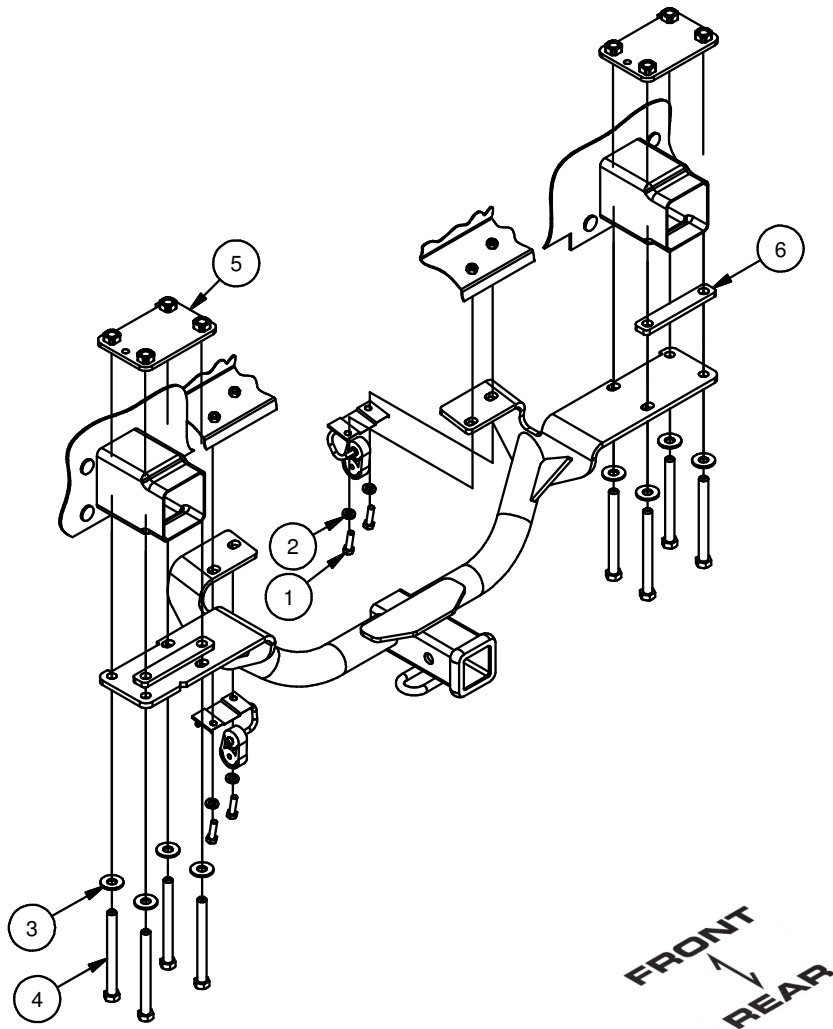
**PERIODICALLY CHECK THIS RECEIVER HITCH TO ENSURE ALL FASTENERS ARE TIGHT AND ALL STRUCTURAL COMPONENTS ARE SOUND**

CURT Manufacturing LLC. warrants this product to be free of defects in material and/or workmanship at the time of retail purchase by the original purchaser. If the product is found to be defective, Curt Manufacturing LLC. may repair or replace the product at their option, when the product is returned, prepaid, with proof of purchase. Alteration to, misuse of, or improper installation of this product voids the warranty. Curt Manufacturing LLC.'s liability is limited to repair or replacement of products found to be defective, and specifically excludes liability for incidental or consequential loss or damage.

For more information log onto [www.curtmfg.com](http://www.curtmfg.com), & for helpful towing tips log onto [www.hitchinfo.com](http://www.hitchinfo.com)

## INSTALLATION WALKTHROUGH:

Parts List			
ITEM	QTY	PART NUMBER	DESCRIPTION
1	4	M8 - 1.25 x 30 HEX BOLT	HEX HEAD BOLT
2	4	3/8"	LOCK WASHER
3	8	1/2"	CONICAL TOOTHED WASHER
4	8	1/2-13 x 5 1/2	HEX BOLT
5	2	CM-13102-NPW	NUT PLATE WELDMENT
6	2	CM-13102-S	SPACER .313" A-36 H.R.



1. Lower exhaust by removing (4) rubber isolators (2 are located to the inside of mufflers and (2) are located to the outside).



**NOTE:** Exhaust tips need to be removed on some models to allow the exhaust to be lowered. Remove exhaust tips by removing (2) screws, then slide tips towards front of vehicle to release mounting tabs.



## INSTALLATION WALKTHROUGH:

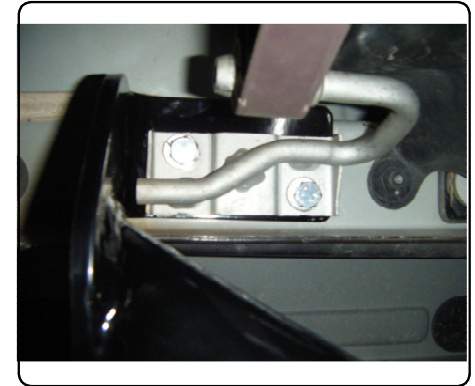
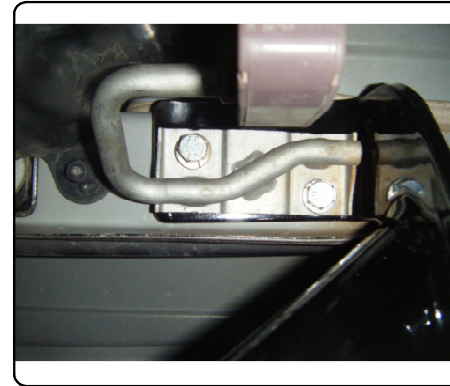
2. Remove screws securing rear fascia bracket. Save screws for reinstallation in step 8. Tuck bracket up onto reinforcement bumper beam. **Note:** Some models have (2) individual brackets, temporarily remove these and reinstall after hitch is installed



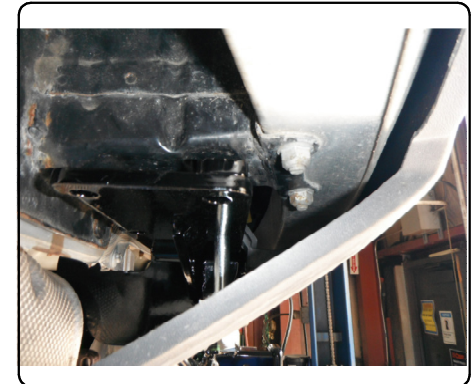
3. Remove rubber isolator brackets which are located to the inside of mufflers. Remove (2) bolts from each bracket and return bolts to vehicle owner.



4. Place supplied nut plates over bumper beam. Raise hitch into position (pull down on fascia to allow hitch to be raised). Secure hitch by clamping the hitch between inside isolator brackets and underbody, loosely install supplied 8mm bolts and 3/8" lock washers.

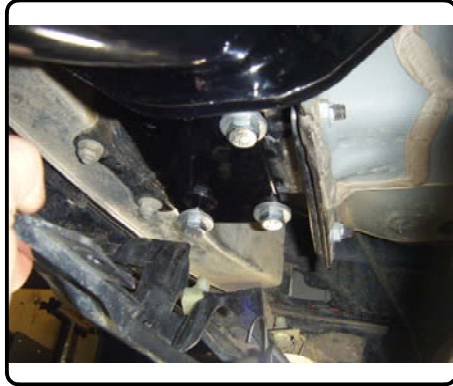


5. Insert (1) CM-13102-S (spacer) into position above each hitch side plate, as shown below and on page 2.



## INSTALLATION WALKTHROUGH:

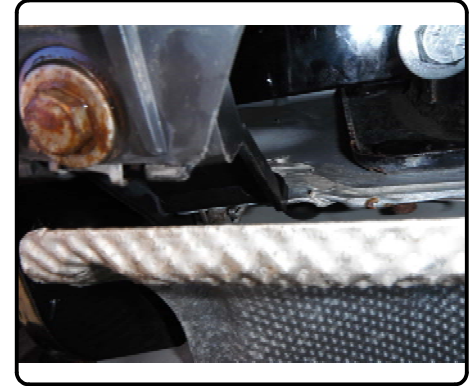
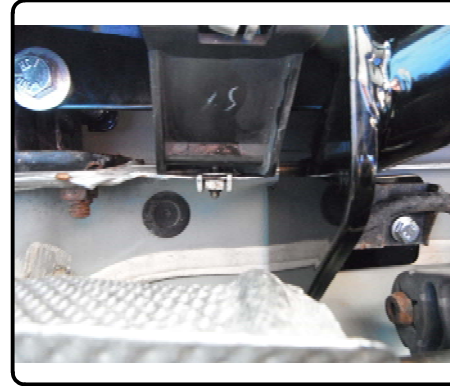
6. Secure hitch to nut plates from Step 4, with supplied 1/2" x 5 1/2" hex bolts and 1/2" conical toothed washers. Start by loosely installing front outside bolt then front inside bolt then rear outside bolt and then rear inside bolt, repeat for other side.



7. Torque all 1/2" hardware to 75 lb-ft and all 8mm hardware to 23 lb-ft.



8. Reinstall rear fascia bracket with (6) screws removed in step 2. **Note:** Some models will need the rear fascia bracket reinstalled to the back of mounting flange for hitch clearance.



9. Raise exhaust back into position. **Note:** If heat shield contacts hitch, trim heat shield so there is 1/8" clearance. If exhaust tips were removed, reinstall with screws which were removed in step 1. Hitch installation is complete.



# 13102 MERCEDES BENZ ML350 BlueTEC, GL350 BlueTEC AWD, GL450 & GL550

1/22/2014

PAGE 1 OF 2

**GROSS LOAD CAPACITY WHEN USED AS A WEIGHT CARRYING HITCH: 3,500 LBS. TRAILER WEIGHT & 350 LBS. TONGUE WEIGHT.**

\*\*\*DO NOT EXCEED VEHICLE MANUFACTURER'S RECOMMENDED TOWING CAPACITY.\*\*\*

**WARNING: ALL NON-TRAILER LOADS APPLIED TO THIS PRODUCT MUST BE SUPPORTED BY AUXILIARY STABILIZING STRAPS.**

\*\* FAILURE TO PROPERLY SUPPORT NON-TRAILER LOADS WILL VOID PRODUCT WARRANTY\*\*

**HAVING INSTALLATION QUESTIONS? CALL TECHNICAL SUPPORT AT 1-800-798-0813**

Parts List			
ITEM	QTY	PART NUMBER	DESCRIPTION
1	4	M8 - 1.25 x 30 HEX BOLT	HEX HEAD BOLT
2	4	3/8"	LOCK WASHER
3	8	1/2"	CONICAL TOOTHED WASHER
4	8	1/2-13 x 5 1/2	HEX BOLT
5	2	CM-13102-NPW	NUT PLATE WELDMENT
6	2	CM-13102-S	SPACER .313" A-36 H.R.

### RUBBER ISOLATOR REMOVAL DIAGRAM

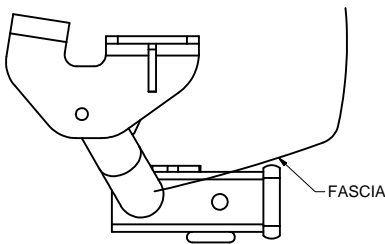
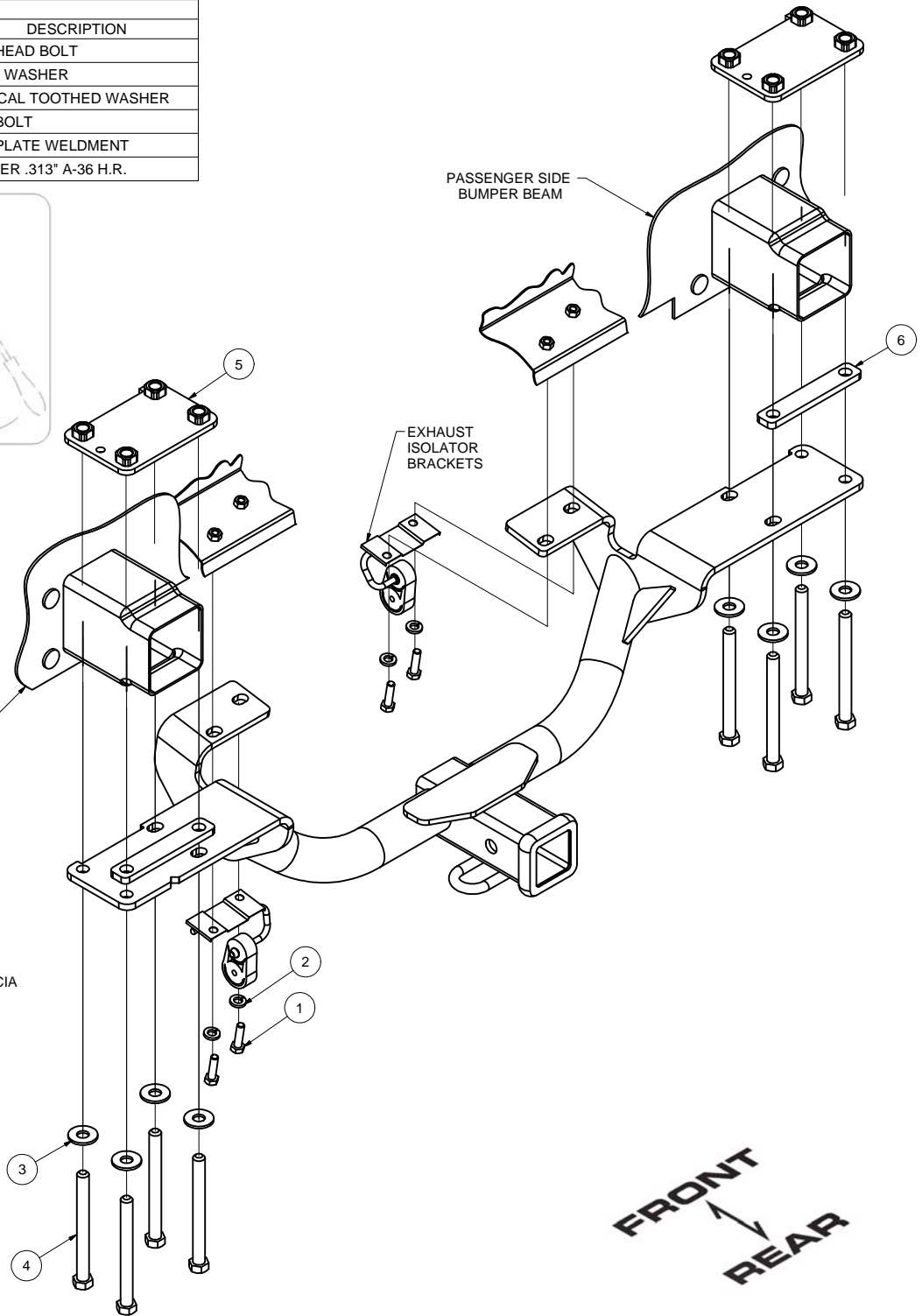
This technique can be used if an Exhaust Hanger Removal Pliers is not available.

Using a 5/8" open end wrench, slide the wrench up to the rubber isolator, cradling the hanger rod as shown. Next place the flat edge of a pry bar between the wrench and the hanger stop or hanger rod. Then simply rotate the pry bar toward the wrench to remove the rubber isolator.

Note: Using a spray lubricant or soapy water on the hanger rod and the rubber isolator helps removal.



TOOLS REQUIRED	
SOCKET WRENCH	
3", 6", 9" SOCKET EXTENSION	
3/4", 8mm, 10mm, 13mm SOCKET	
TORQUE WRENCH	
10mm OPEN/BOX END WRENCH	
T-25 TORX	
SHEARS	



INSTALLED HITCH POSITION

**HITCH WEIGHT: 28 LBS.**

#### INSTALL TIME

PROFESSIONAL: 60 MINUTES

NOVICE (DIY): 120 MINUTES

#### INSTALL NOTES:

- LOWER EXHAUST
- TEMPORARILY REMOVE EXHAUST TIPS AND EXHAUST BRACKETS
- NO DRILL

PERIODICALLY CHECK THIS RECEIVER HITCH TO ENSURE THAT ALL FASTENERS ARE TIGHT AND THAT ALL STRUCTURAL COMPONENTS ARE SOUND.

Curt Manufacturing Inc., warrants this product to be free of defects in material and/or workmanship at the time of retail purchase by the original purchaser. If the product is found to be defective, Curt Manufacturing Inc., may repair or replace the product, at their option, when the product is returned, prepaid, with proof of purchase. Alteration to, misuse of, or improper installation of this product voids the warranty. Curt Manufacturing Inc.'s liability is limited to repair or replacement of products found to be defective, and specifically excludes liability for incidental or consequential loss or damage.

GROSS LOAD CAPACITY WHEN USED AS A WEIGHT CARRYING HITCH: 3,500 LBS. TRAILER WEIGHT & 350 LBS. TONGUE WEIGHT.

\*\*\*DO NOT EXCEED VEHICLE MANUFACTURER'S RECOMMENDED TOWING CAPACITY.\*\*\*

**WARNING: ALL NON-TRAILER LOADS APPLIED TO THIS PRODUCT MUST BE SUPPORTED BY AUXILIARY STABILIZING STRAPS.**

\*\* FAILURE TO PROPERLY SUPPORT NON-TRAILER LOADS WILL VOID PRODUCT WARRANTY\*\*

HAVING INSTALLATION QUESTIONS? CALL TECHNICAL SUPPORT AT 1-800-798-0813

## **INSTALLATION STEPS**

1. Lower exhaust by removing (4) rubber isolators (2 are located to the inside of mufflers and (2) are located to the outside). (See RUBBER ISOLATOR REMOVAL DIAGRAM)

**NOTE:** Exhaust tips need to be removed on some models to allow the exhaust to be lowered. Remove exhaust tips by removing (2) screws, then slide tips towards front of vehicle to release mounting tabs.

2. Remove screws securing rear fascia bracket. Save screws for reinstallation in step 10. Tuck bracket up onto reinforcement bumper beam. **Note:** Some models have (2) individual brackets, temporarily remove these and reinstall after hitch is installed.

3. Remove rubber isolator brackets which are located to the inside of mufflers. Remove (2) bolts from each bracket and return bolts to vehicle owner.

4. Place supplied nut plates over bumper beam.

5. Raise hitch into position by pulling down on fascia and sliding hitch into position.

**NOTE:** Heat shields may need to be bent slightly to allow the hitch to be raised into position.

6. Secure hitch by clamping the hitch between inside isolator brackets and underbody, loosely install supplied 8mm bolts and 3/8" lock washers.

**NOTE:** Be sure to slide hitch as far forward as possible but not so it rests on the weld seam on the vehicle bumper beams.

7. Insert (1) CM-13102-S (spacer) into position above each hitch side plate, as shown on page 1.

8. Secure hitch to nut plates from step 4, with supplied 1/2" x 5 1/2" hex bolts and 1/2" conical toothed washers. Start by loosely installing front outside bolt then front inside bolt then rear outside bolt and then rear inside bolt, repeat for other side.

9. Torque all 1/2" hardware to 75 lb-ft and all 8mm hardware to 23 lb-ft.

10. Reinstall rear fascia bracket with (6) screws removed in step 2.

**NOTE:** Some models will need the rear fascia bracket reinstalled to the back of mounting flange for hitch clearance.

11. If heat shield contacts hitch, trim heat shield so there is 1/8" clearance.

12. Raise exhaust back into position.

13. If exhaust tips were removed, reinstall with screws which were removed in step 1.

PERIODICALLY CHECK THIS RECEIVER HITCH TO ENSURE THAT ALL FASTENERS ARE TIGHT AND THAT ALL STRUCTURAL COMPONENTS ARE SOUND.