

13266

VOLVO S60, V70, AND XC70

10/1/2012

GROSS LOAD CAPACITY WHEN USED AS A WEIGHT CARRYING HITCH: 3,500 LBS. TRAILER WEIGHT & 350 LBS. TONGUE WEIGHT.

*****DO NOT EXCEED VEHICLE MANUFACTURER'S RECOMMENDED TOWING CAPACITY.*****

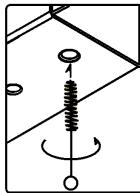
WARNING: ALL NON-TRAILER LOADS APPLIED TO THIS PRODUCT MUST BE SUPPORTED BY 18050 STABILIZING STRAPS.

**** FAILURE TO PROPERLY SUPPORT NON-TRAILER LOADS WILL VOID PRODUCT WARRANTY****

HAVING INSTALLATION QUESTIONS? CALL TECHNICAL SUPPORT AT 1-800-798-0813

Parts List			
ITEM	QTY	PART NUMBER	DESCRIPTION
1	2	CM-SP56	.375 x 1.25 x 2.00" ROUND HOLE SPACER
2	6	M10 - 1.5 x 45mm	HEX BOLT
3	6	7/16"	CONICAL TOOTHED WASHER
4	2	12066-SP	.375" SPACER

TOOLS REQUIRED
T20, T25 TORX DRIVER
8, 10, 13, 14 AND 17mm SOCKETS
6" EXTENSION
RATCHET
TORQUE WRENCH
ROTARY TOOL



WELDNUT CLEANING

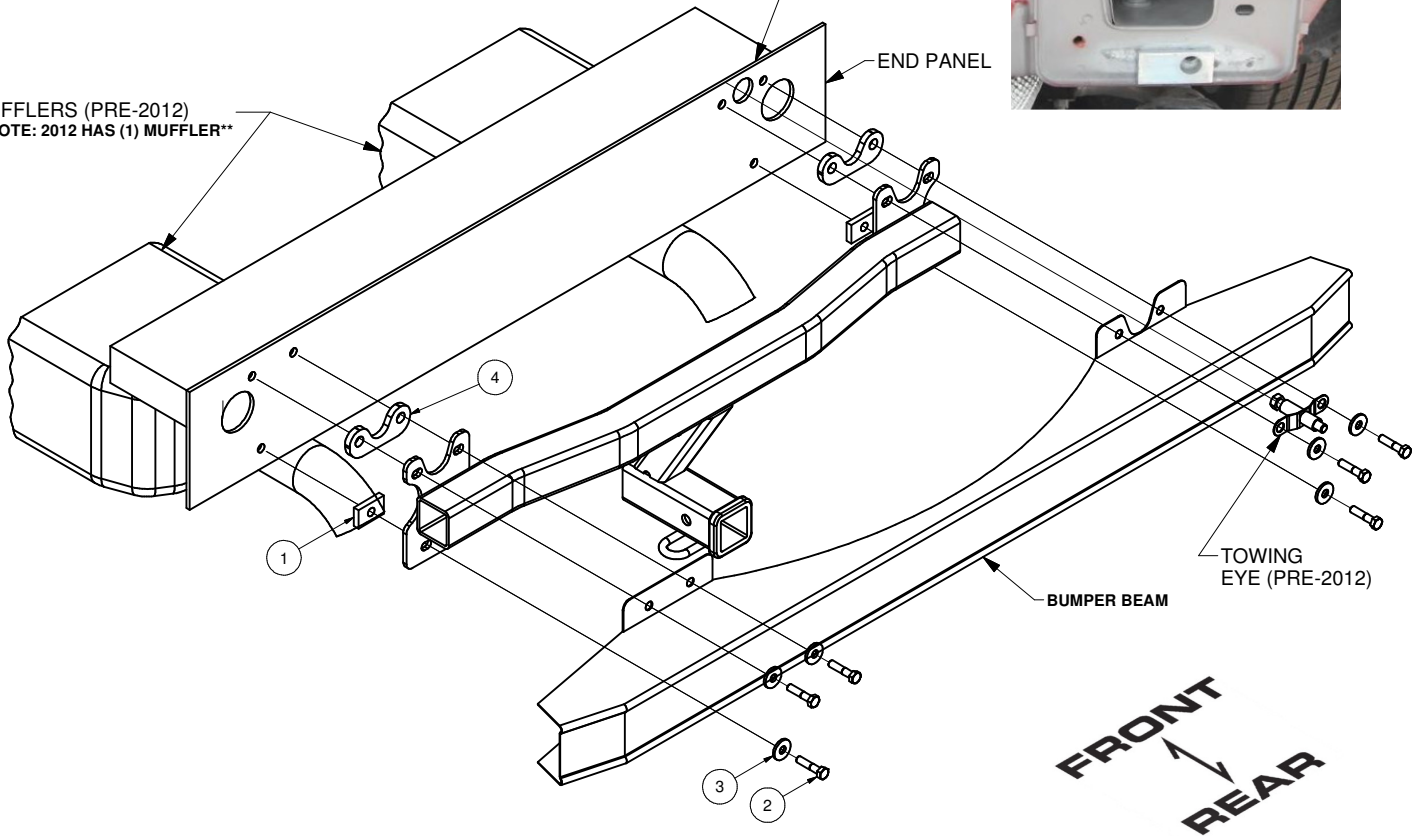
To remove debris from weldnuts in frame, spray lubricant or compressed air into hole. For heavy debris, use a small wire brush. (Be careful not to damage threads).

NOTE:

The mounting surface on the Volvo S60 has spot welded plates with raised edges around the perimeter and center holes. For any application that uses this configuration please use the supplied spacer as illustrated below.



MUFFLERS (PRE-2012)
** NOTE: 2012 HAS (1) MUFFLER**



PERIODICALLY CHECK THIS RECEIVER HITCH TO ENSURE THAT ALL FASTENERS ARE TIGHT AND THAT ALL STRUCTURAL COMPONENTS ARE SOUND.

Curt Manufacturing LLC., warrants this product to be free of defects in material and/or workmanship at the time of retail purchase by the original purchaser. If the product is found to be defective, Curt Manufacturing LLC., may repair or replace the product, at their option, when the product is returned, prepaid, with proof of purchase. Alteration to, misuse of, or improper installation of this product voids the warranty. Curt Manufacturing LLC.'s liability is limited to repair or replacement of products found to be defective, and specifically excludes liability for incidental or consequential loss or damage.

13266

VOLVO S60, V70, AND XC70

10/1/2012

GROSS LOAD CAPACITY WHEN USED AS A WEIGHT CARRYING HITCH: 3,500 LBS. TRAILER WEIGHT & 350 LBS. TONGUE WEIGHT.

*****DO NOT EXCEED VEHICLE MANUFACTURER'S RECOMMENDED TOWING CAPACITY.*****

WARNING: ALL NON-TRAILER LOADS APPLIED TO THIS PRODUCT MUST BE SUPPORTED BY 18050 STABILIZING STRAPS.

**** FAILURE TO PROPERLY SUPPORT NON-TRAILER LOADS WILL VOID PRODUCT WARRANTY****

HAVING INSTALLATION QUESTIONS? CALL TECHNICAL SUPPORT AT 1-800-798-0813

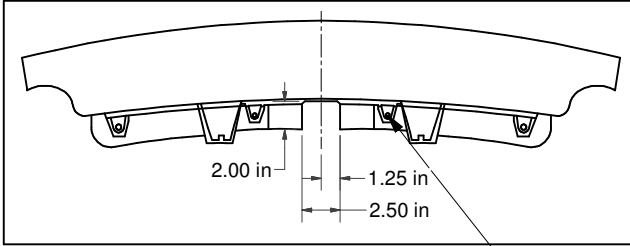
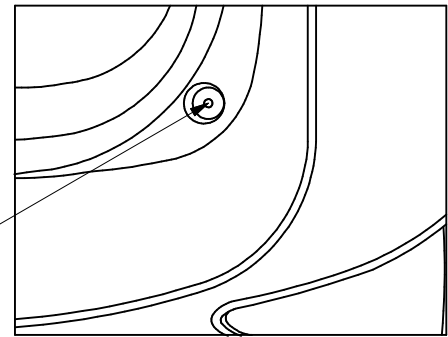
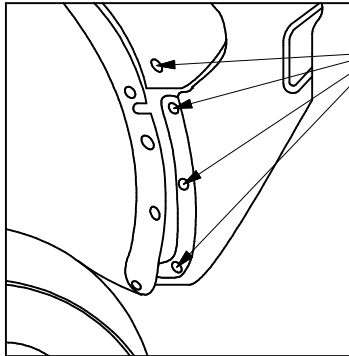


FIGURE 1
(AS VIEWED FROM BOTTOM) FASTENERS



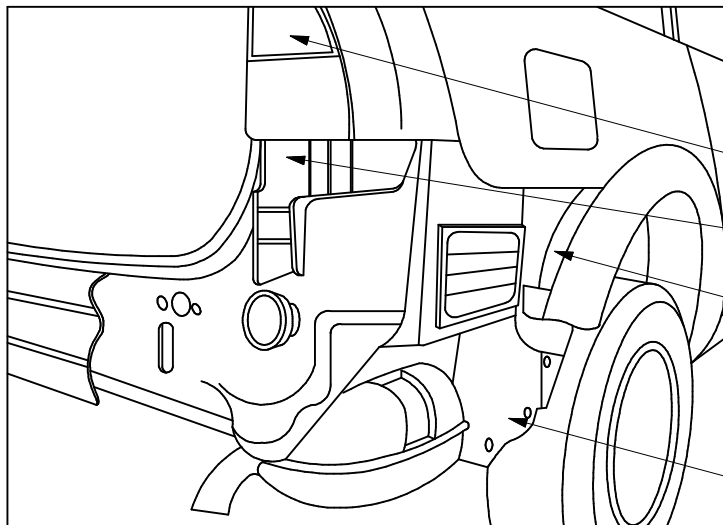
RUBBER
HATCH STOP

FIGURE 2



REMOVE (4-5) SCREWS (EACH SIDE)
FROM PLASTIC WHEEL WELL MOLDING

FIGURE 3



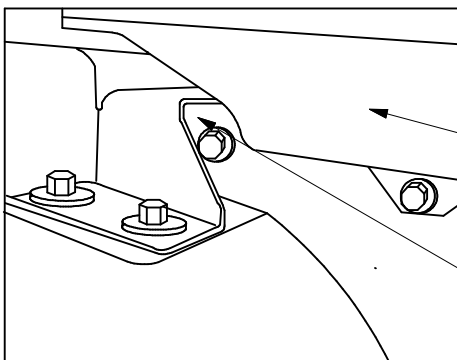
TAIL LIGHT

PULL FASCIA REARWARD
GENTLY AT THE TAIL LIGHT

GENTLY PULL THE FASCIA
AWAY FROM THE WHEEL
WELL MOLDING STARTING
AT THE BOTTOM

REMOVE (4) SCREWS (EACH
SIDE) FROM THE PLASTIC
WHEEL WELL MOLDING

FIGURE 4



REMOVE INNER
APPEARANCE PANEL

LOOSEN TOWING EYE UNDER REAR
PASSENGER SIDE APPEARANCE PANEL

FIGURE 5

PERIODICALLY CHECK THIS RECEIVER HITCH TO ENSURE THAT ALL FASTENERS ARE TIGHT AND THAT ALL STRUCTURAL COMPONENTS ARE SOUND.

Curt Manufacturing LLC., warrants this product to be free of defects in material and/or workmanship at the time of retail purchase by the original purchaser. If the product is found to be defective, Curt Manufacturing LLC., may repair or replace the product, at their option, when the product is returned, prepaid, with proof of purchase. Alteration to, misuse of, or improper installation of this product voids the warranty. Curt Manufacturing LLC.'s liability is limited to repair or replacement of products found to be defective, and specifically excludes liability for incidental or consequential loss or damage.

13266

VOLVO S60, V70, AND XC70

10/1/2012

GROSS LOAD CAPACITY WHEN USED AS A WEIGHT CARRYING HITCH: 3,500 LBS. TRAILER WEIGHT & 350 LBS. TONGUE WEIGHT.

*****DO NOT EXCEED VEHICLE MANUFACTURER'S RECOMMENDED TOWING CAPACITY.*****

WARNING: ALL NON-TRAILER LOADS APPLIED TO THIS PRODUCT MUST BE SUPPORTED BY 18050 STABILIZING STRAPS.

**** FAILURE TO PROPERLY SUPPORT NON-TRAILER LOADS WILL VOID PRODUCT WARRANTY****

HAVING INSTALLATION QUESTIONS? CALL TECHNICAL SUPPORT AT 1-800-798-0813

HITCH WEIGHT: 32 LBS.

INSTALL TIME

PROFESSIONAL: 90 MINUTES

NOVICE (DIY): 3 HOURS

INSTALL NOTES:

- FASCIA REMOVAL & TRIM REQ'D
- NO DRILL REQ'D

INSTALLATION STEPS

- NOTIFY VEHICLE OWNER THAT FASCIA REQUIRES TRIMMING TO FIT HITCH.
- RECOMMEND TWO PERSONS TO REMOVE THE FASCIA TO PREVENT SCRATCHES OR DAMAGE.

1. Remove rear bumper fascia. Disconnect back-up sensor wiring if present. (Not shown)
 - a. Remove (2) fasteners from the rear of the vehicle. (See Figure 1)
 - b. **ON V70 AND XC70 MODELS ONLY** Open hatch. Remove two rubber hatch stops. (See Figure 2)
 - c. Remove 4-5 screws (each side) from the plastic wheel well molding. (See Figure 3)
 - d. Gently pull the plastic fascia away from the wheel well molding. (See Figure 4)
 - e. Continue to remove the fascia. At the tail light pull gently rearward.
 - f. Pull gently on the fascia until the rear fascia is completely removed from the vehicle.
2. Loosen the towing eye. **V70 AND XC70 MODELS ONLY**
 - a. Remove the (2) bolts retaining the inside appearance panel at the rear of the hatch.
 - b. Loosen the towing eye under the appearance panel, rear passenger side (1 bolt). (See Figure 5)
3. Remove bumper beam. (Continue to loosen the towing eye as needed to remove the bumper beam.)
4. Place hitch into bumper beam aligning holes.
5. Raise hitch and bumper beam into position. As stated on sheet 1, use the supplied spacers if there is a raised edge on rear face of the end panel. Install the supplied M10 bolts and conical tooth washers. Hand tighten driver side and lower passenger side bolts (all if the tow hook is non-removable).
6. Reinstall towing eye if applicable (sandwich hitch, bumper beam and towing eye). Hand tighten bolts (6).
7. Torque all M10 fasteners to 45 lb-ft.
8. Retighten towing eye hook from inside vehicle, torque to 45 lb-ft. **V70 AND XC70 MODELS ONLY**
9. Replace the (2) bolts that retain the inside appearance panel at rear of tailgate **V70 AND XC70 MODELS ONLY**
10. Using a rotary tool, carefully cut out the fascia on the bottom inside fascia. Locate the bottom center of the fascia and trim as shown. See Figure 1 for trim dimensions. Note: Area marked on fascia is trim outline for factory Volvo hitch if shown. Note: Trim dimensions are approximate. Confirm fit prior to trimming.
11. Reinstall fascia. Note: Make sure fascia sits flat along rear shelf of trunk.

PERIODICALLY CHECK THIS RECEIVER HITCH TO ENSURE THAT ALL FASTENERS ARE TIGHT AND THAT ALL STRUCTURAL COMPONENTS ARE SOUND.

Curt Manufacturing LLC., warrants this product to be free of defects in material and/or workmanship at the time of retail purchase by the original purchaser. If the product is found to be defective, Curt Manufacturing LLC., may repair or replace the product, at their option, when the product is returned, prepaid, with proof of purchase. Alteration to, misuse of, or improper installation of this product voids the warranty. Curt Manufacturing LLC.'s liability is limited to repair or replacement of products found to be defective, and specifically excludes liability for incidental or consequential loss or damage.