



Safety glasses should be worn at all times while installing this product.

YEARS: 2017

MAKE: AUDI

MODEL: Q7

STYLE: SUV

WARNING: NEVER EXCEED YOUR VEHICLE MANUFACTURER'S RECOMMENDED TOWING CAPACITY
 For more information log onto www.curtmfg.com & for helpful towing tips log onto www.hitchinfo.com

WEIGHT CARRYING:
 TRAILER WEIGHT: 7,000 LBS.
 TONGUE WEIGHT: 700 LBS.

WARNING:
 WE RECOMMEND THE USE OF 18050 STABILIZING STRAPS FOR ALL NON-TRAILER (WHEEL-LESS) LOADS. PLEASE SEE THE CURT CATALOG OR VISIT US ONLINE AT WWW.CURTMFG.COM FOR FURTHER INFORMATION.

PRO INSTALL TIME: 60 MIN.
NOVICE INSTALL TIME: 120 MIN.

IF YOU ARE HESITANT TO UNDERTAKE THIS TASK ON YOUR OWN, CONTACT AN AUTHORIZED CURT INSTALLER FOR ADDITIONAL ASSISTANCE.

INSTALLATION REQUIRES:

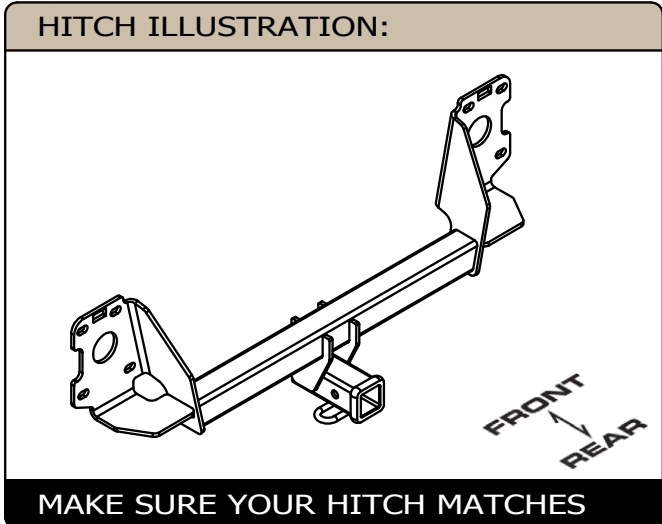
RATCHET	18MM SOCKET	TORQUE WRENCH
6" SOCKET EXTENSION	ROTARY TOOL	MASKING TAPE
TAPE MEASURE	PLASTIC PANEL REMOVAL TOOLS	T25 TORXBIT SOCKET
SAFETY GLASSES		

INSTALLATION TIPS:

- BEFORE YOU BEGIN INSTALLATION, READ ALL INSTRUCTIONS THOROUGHLY.
- TO EASE INSTALLATION, 2 PEOPLE MAY BE REQUIRED.
- USING PROPER TOOLS WILL GREATLY IMPROVE THE QUALITY OF THE INSTALL AND REDUCE THE TIME REQUIRED.
- NEED HELP OR HAVE SOME QUESTIONS? CALL TECHNICAL SUPPORT AT 800.798.0813

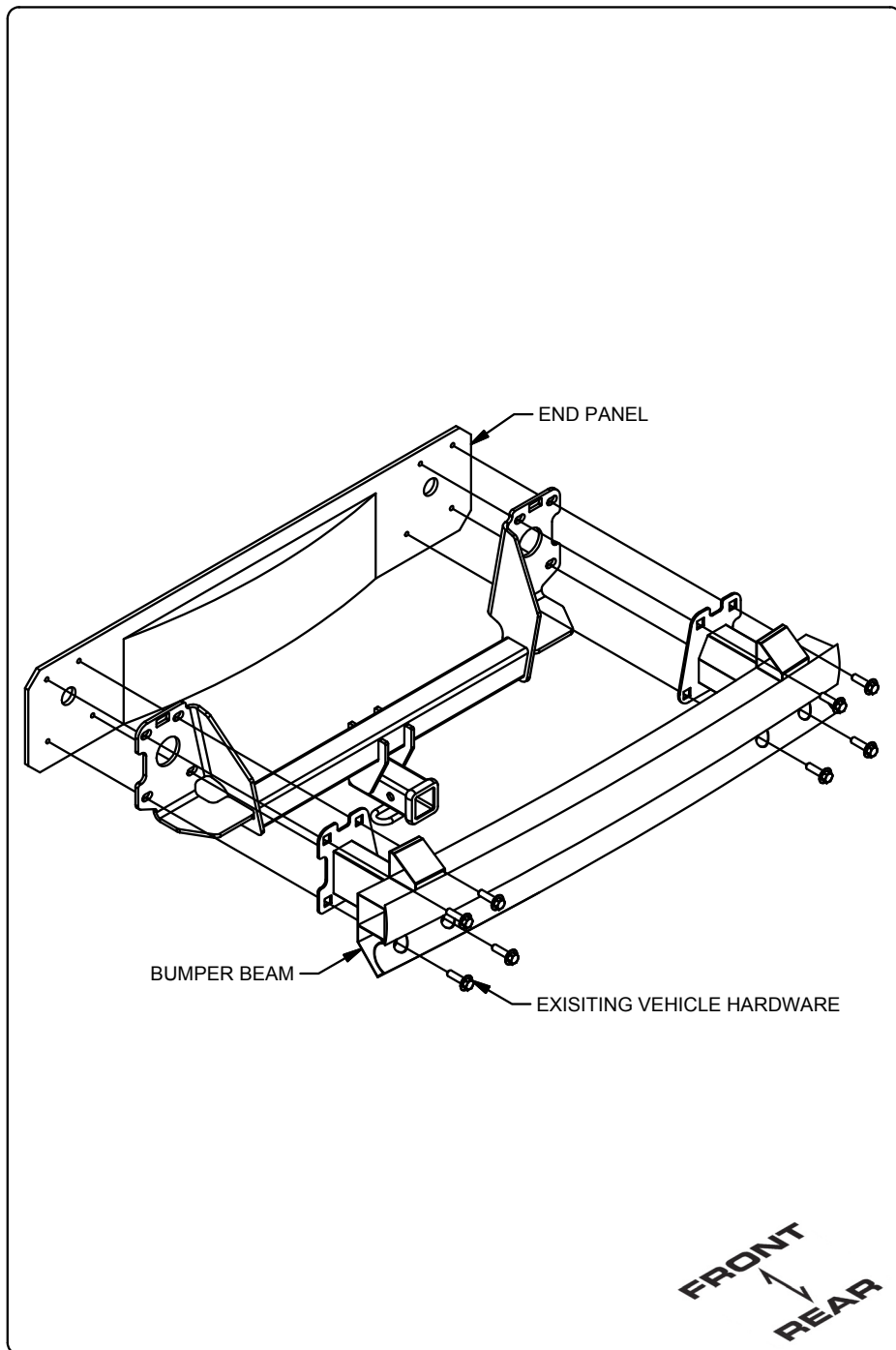
LEVEL OF DIFFICULTY: CHALLENGING

EASY	MODERATE	CHALLENGING
PART REMOVAL	TEMPORARILY REMOVE BUMPER FASCIA	
NO DRILLING REQUIRED	NO DRILLING REQUIRED	
TRIM	BUMPER FASCIA TRIMMING REQUIRED	
WELDNUT CLEANING MAY BE REQUIRED	WELDNUT CLEANING MAY BE REQUIRED	

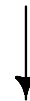


PERIODICALLY CHECK THIS RECEIVER HITCH TO ENSURE ALL FASTENERS ARE TIGHT AND ALL STRUCTURAL COMPONENTS ARE SOUND
 CURT Manufacturing LLC. warrants this product to be free of defects in material and/or workmanship at the time of retail purchase by the original purchaser. If the product is found to be defective, CURT Manufacturing LLC. may repair or replace the product at their option, when the product is returned, prepaid, with proof of purchase. Alteration to, misuse of, or improper installation of this product voids the warranty. CURT Manufacturing LLC.'s liability is limited to repair or replacement of products found to be defective, and specifically excludes liability for incidental or consequential loss or damage.
 For more information log onto www.curtmfg.com, & for helpful towing tips log onto www.hitchinfo.com
 This product complies with safety specifications and requirements for connecting devices and towing systems of the state of New York, V.E.S.C.Regulation V-5 and SAE J684.

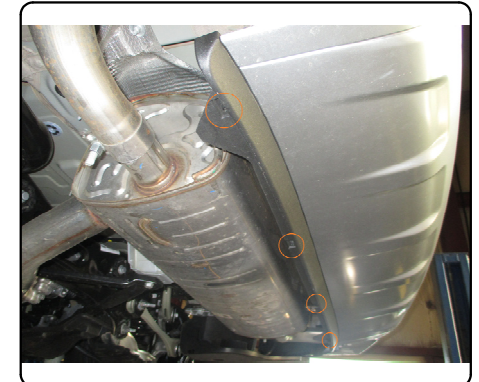
INSTALLATION WALKTHROUGH:



1. Remove (4) screws along each wheel well with a T25 Torx bit screw driver. Pull wheel liner back to expose an additional (1) screw for removal.



2. Remove (4) screws from bottom of each wheel well liner and (4) screws from middle underside area of fascia with a T25 Torx bit.

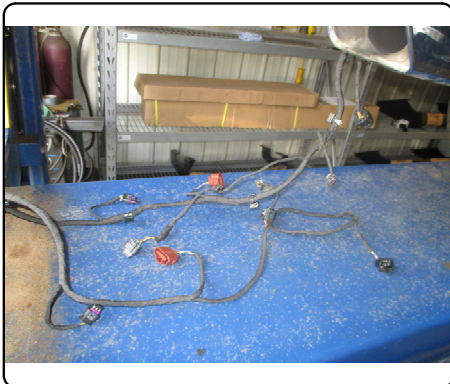


INSTALLATION WALKTHROUGH:

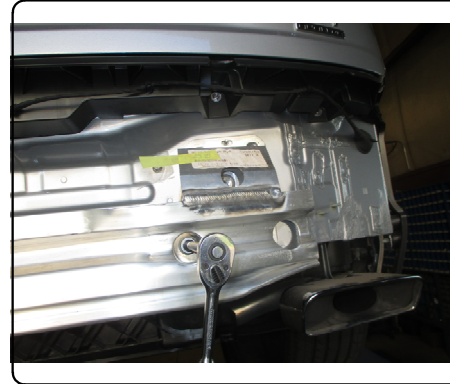
3. Carefully remove body trim piece at upper wheel well and remove (2) screws exposed using a T25 Torx bit. Plastic body panel tools may be used for ease of removal.



4. Disconnect all electrical connectors from lights and sensors along bumper fascia. Gently pull off vehicle bumper fascia starting near the wheels and moving towards the trunk.



5. Remove (4) bolts on each side of bumper beam using a 18mm socket and remove bumper beam. Place hitch on end panel and bumper beam on top of hitch. Raise hitch and bumper beam into position aligning holes with weldnuts.

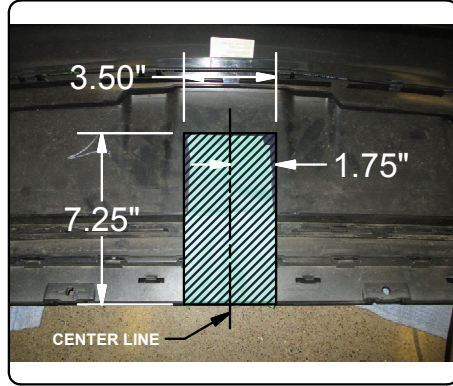


6. Loosely secure hitch and bumper beam with bolts removed in STEP 5. Torque all bolts to 58 ft-lbs.



INSTALLATION WALKTHROUGH:

7. Unclip kick sensor wire from inside bumper fascia and move away from trim area. Measure trim area on fascia to dimensions shown, mark area with masking tape, and trim section.



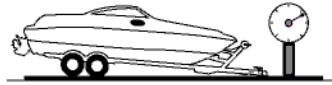
8. Reinstall fascia removed in STEP 2 and re-attach kick sensor wire behind receiver tube.



TOWING SAFETY INFORMATION

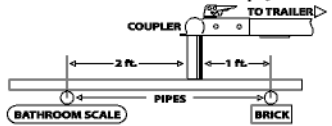
Gross Trailer Weight / GTW

The Gross Trailer Weight is the weight of the trailer & cargo. Measure this by putting the fully loaded trailer on a vehicle scale.



Tongue Weight / TW

The downward force that is exerted on the hitch ball by the coupler. The tongue weight will vary depending on where the load is positioned in relationship to the trailer axle(s). To measure the tongue weight, use either a commercial scale or a bathroom scale with the coupler at towing height. When using a bathroom scale with heavier tongue weights, use the method shown and multiply the scale reading by 3.



Weight Carrying / WC

The total weight of both the trailer and the cargo inside. Never exceed the weight capacity of your trailer hitch.

Weight Distribution / WD

Used to balance the weight of the cargo between the front and rear wheels throughout the trailer, allowing for better steering, braking, and level riding.



Sway Control

A device used to reduce the lateral movements of the trailer that are caused by the wind. This works in conjunction with a weight distribution hitch. Do not use this on a class 1 or 2 hitch, or with surge brakes.

How Much Can You Safely Tow?

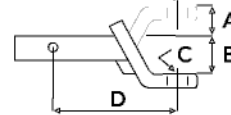
TONGUE WEIGHT (lb)	1000	2000	3000	4000	5000	6000	7000	8000	10,000	12,000
Tongue weight should be about 10 to 15 percent of the gross trailer weight.										
CLASS 1										
CLASS 2										
CLASS 3										
CLASS 4										
CLASS 5										
TRAILER TYPE										
Camper	11'	12'	13'	14'	15'	16'				
lbs.	1100	1200	1300	1400	1500	1600				
Vacation	18'	19'	20'	21'	22'	24'	26'	28'	30'	32'
lbs.	2100	2400	2700	3000	3300	3600	3900	4200	4500	4800
Vacation	18'	19'	20'	21'	22'	24'	26'	28'	30'	32'
lbs.	2800	3200	3600	4000	4400	4800	5200	5600	6000	6400
5th Wheel										

Refer to owner's manual for towing capabilities and limitations.

Ball Mount

The ball mount is placed inside the opening of the receiver hitch which is mounted to the vehicle. Make sure a hitch pin and clip is properly securing the ball mount to the receiver hitch before you begin towing.

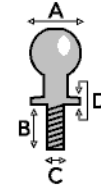
- A: Rise. B: Drop. C: Hole Size. D: Length.



Trailer Ball

The connection from the hitch to the trailer. There are many factors that determine the correct hitch ball:

- Number one is the hitch ball's gross trailer weight rating.
- The mounting platform must be at least 3/8" thick.
- The hole diameter must not be more than 1/16" larger than the threaded shank.
- Every time you tow, check the nut and lock washer to make sure they are fastened securely.
- A: Ball Dia. B: Shank Length. C: Shank Dia. D: Shank Rise.



Coupler

The component that is placed over the trailer ball to connect the vehicle to the trailer. Be sure that the coupler size matches the size of the hitch ball and that the coupler handle is securely fastened. To determine what size hitch ball you need for your application you will need to know the size of coupler that is on the trailer. Be sure your coupler is properly adjusted to the ball you are using.

NOTE: For added security the use of safety devices such as Coupler Safety Pins and Locks is strongly recommended.

Safety Chains

Safety chains are a requirement and should be crossed under the tongue of the trailer so that the tongue will not drop to the road if it becomes separated from the hitch. Always leave enough slack so you can turn. Never allow the safety chains to drag on the ground and never attach the chains to the bumper.

Trailer Classification: Safety Chain Breaking Force - Minimum

Class 1: 2,000 lbs. (8.9 kN)

Class 2: 3,500 lbs. (15.6 kN)

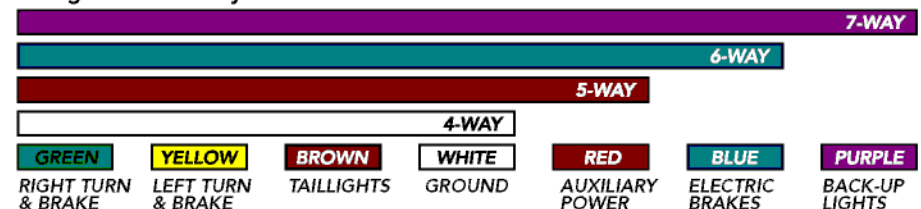
Class 3: 5,000 lbs. (22.2 kN)

The strength rating of each length of safety chain or its equivalent and its attachments shall be equal to or exceed in minimum breaking force the GVWR (Gross Vehicle Weight Rating) of the trailer.

Electrical

Trailer lights, Electric Brakes, Break-away systems - Every time you tow, be sure to check that all components are working properly.

Wiring identification by color:



CURT DISCLAIMER: WIRING COLOR SHOWN WORK IN CONJUNCTION WITH CURT MANUFACTURING PRODUCTS.

13277

AUDI Q7

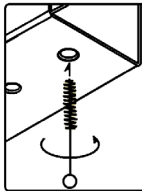
10/28/2016

GROSS LOAD CAPACITY WHEN USED AS A WEIGHT CARRYING HITCH: 7,000 LBS. TRAILER WEIGHT & 700 LBS. TONGUE WEIGHT.



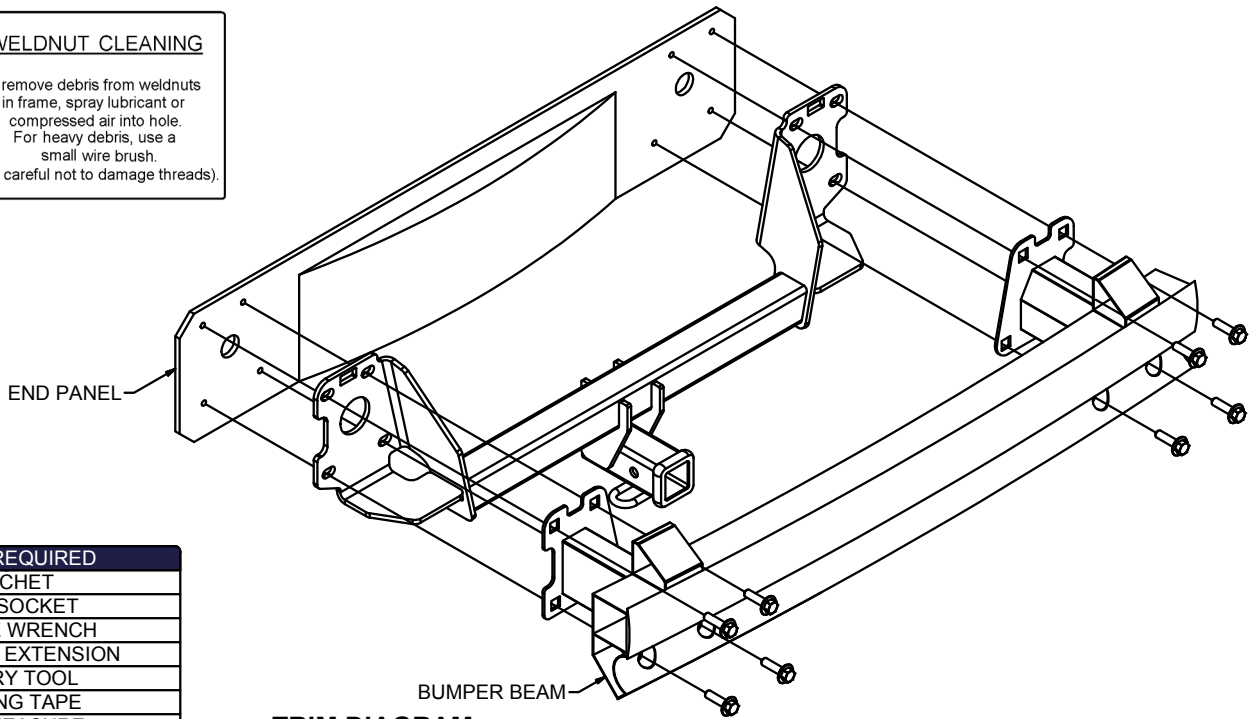
WARNING: * DO NOT EXCEED VEHICLE MANUFACTURER'S RECOMMENDED TOWING CAPACITY. *****

FOR MORE INFORMATION LOG ONTO WWW.CURTMFG.COM & FOR HELPFUL TOWING TIPS LOG ONTO WWW.HITCHINFO.COM
HAVING INSTALLATION QUESTIONS? CALL TECHNICAL SUPPORT AT 1-800-798-0813



WELDNUT CLEANING

To remove debris from weldnuts in frame, spray lubricant or compressed air into hole. For heavy debris, use a small wire brush. (Be careful not to damage threads).



TOOLS REQUIRED
RATCHET
18MM SOCKET
TORQUE WRENCH
6" SOCKET EXTENSION
ROTARY TOOL
MASKING TAPE
TAPE MEASURE
PLASTIC PANEL REMOVAL TOOLS
T25 TORX BIT
SAFETY GLASSES

HITCH WEIGHT: 40 LBS.

INSTALL TIME

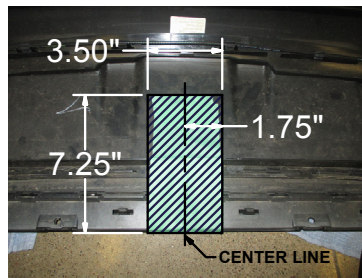
PROFESSIONAL: 60 MINUTES

NOVICE (DIY): 120 MINUTES

INSTALL NOTES:

- REMOVE BUMPER FASCIA
- NO DRILLING REQUIRED
- BUMPER FASCIA TRIMMING
- WELDNUT CLEANING

TRIM DIAGRAM



INSTALLATION STEPS

1. Remove (4) screws along each wheel well with T25 Torx bit screw driver. Pull wheel liner back to expose an additional (1) screw for removal.
2. Remove (4) screws from bottom of each wheel will liner and (4) screws from middle underside area of fascia with a T25 Torx bit.
3. Carefully remove body trim piece at upper wheel well and remove (2) screws exposed using a T25 Torx bit. Plastic body panel tools may be used for ease of removal.
4. Disconnect all electrical connectors from lights and sensors along bumper fascia. Gently pull off vehicle bumper fascia starting near the wheels and moving towards the trunk.
5. Remove (4) bolts on each side of bumper beam using a 18mm socket and remove bumper beam. Place hitch on end panel and bumper beam on top of hitch. Raise hitch and bumper beam into position aligning holes with weldnuts.
6. Loosely secure hitch and bumper beam with bolts removed in STEP 5. Torque all bolts to 58 lb-ft.
7. Unclip kick sensor wire from inside bumper fascia and move away from trim area. Measure trim area on fascia to dimensions shown. Mark area with masking tape and trim section.
8. Reinstall fascia removed in STEP 4.
9. Re-attach kick sensor wire after fascia is re-installed.



Scan for more information

PERIODICALLY CHECK THIS RECEIVER HITCH TO ENSURE THAT ALL FASTENERS ARE TIGHT AND THAT ALL STRUCTURAL COMPONENTS ARE SOUND.

CURT Manufacturing LLC., warrants this product to be free of defects in material and/or workmanship at the time of retail purchase by the original purchaser. If the product is found to be defective, CURT Manufacturing LLC., may repair or replace the product, at their option, when the product is returned, prepaid, with proof of purchase. Alteration to, misuse of, or improper installation of this product voids the warranty. CURT Manufacturing LLC.'s liability is limited to repair or replacement of products found to be defective, and specifically excludes liability for incidental or consequential loss or damage.

This product complies with safety specifications and requirements for connecting devices and towing systems of the state of New York, V.E.S.C.Regulation V-5 and SAE J684.