



31020 INSTALLATION INSTRUCTIONS



Safety glasses should be worn at all times while installing this product.

YEARS: 2008-PRESENT

MAKE: JEEP

MODEL: LIBERTY

STYLE: SUV

WARNING: NEVER EXCEED YOUR VEHICLE MANUFACTURER'S RECOMMENDED TOWING CAPACITY


WEIGHT CARRYING:
TRAILER WEIGHT: 3,000 LBS.
TONGUE WEIGHT: 300 LBS.

GROSS LOAD CAPACITY WHEN USED AS A STRAIGHT LINE PULL:
9,000 LBS MAX.

INSTALLATION TIME: 40 MIN.

THE INSTALL TIME LISTED IS FOR PROFESSIONAL INSTALLERS. IF YOU ARE HESITANT TO UNDERTAKE THIS TASK ON YOUR OWN, CONTACT AN AUTHORIZED CURT INSTALLER FOR ADDITIONAL ASSISTANCE.

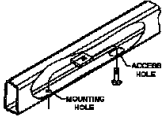


INSTALLATION REQUIRES:

 SMALL FLATHEAD SCREW DRIVER	 RATCHET	 11/16" 15mm 16mm SOCKET
 10" SOCKET EXTENSION	 DIE GRINDER	 TORQUE WRENCH
 SAFETY GLASSES	 PLIERS	 BOXED END WRENCH SET

INSTALLATION TIPS:

- BEFORE YOU BEGIN INSTALLATION, READ ALL INSTRUCTIONS THOROUGHLY.
- TO EASE INSTALLATION, 2 PEOPLE MAY BE REQUIRED.
- USING PROPER TOOLS WILL GREATLY IMPROVE THE QUALITY OF THE INSTALL AND REDUCE THE TIME REQUIRED.
- NEED HELP OR HAVE SOME QUESTIONS? CALL TECHNICAL SUPPORT AT 800.798.0813

LEVEL OF DIFFICULTY: HARD

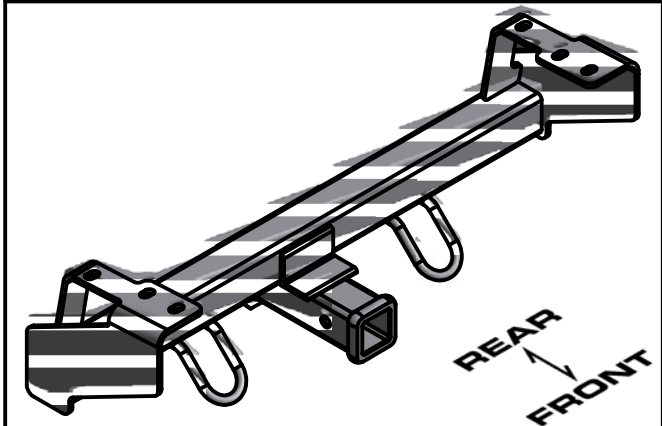
EASY	MODERATE	HARD
	FISHWIRE HARDWARE	
	ENLARGE EXISTING HOLE	
	OPTIONAL AIR DAM TRIMMING	

VEHICLE PHOTO:



REPRESENTATIVE PHOTO

HITCH ILLUSTRATION:



MAKE SURE YOUR HITCH MATCHES

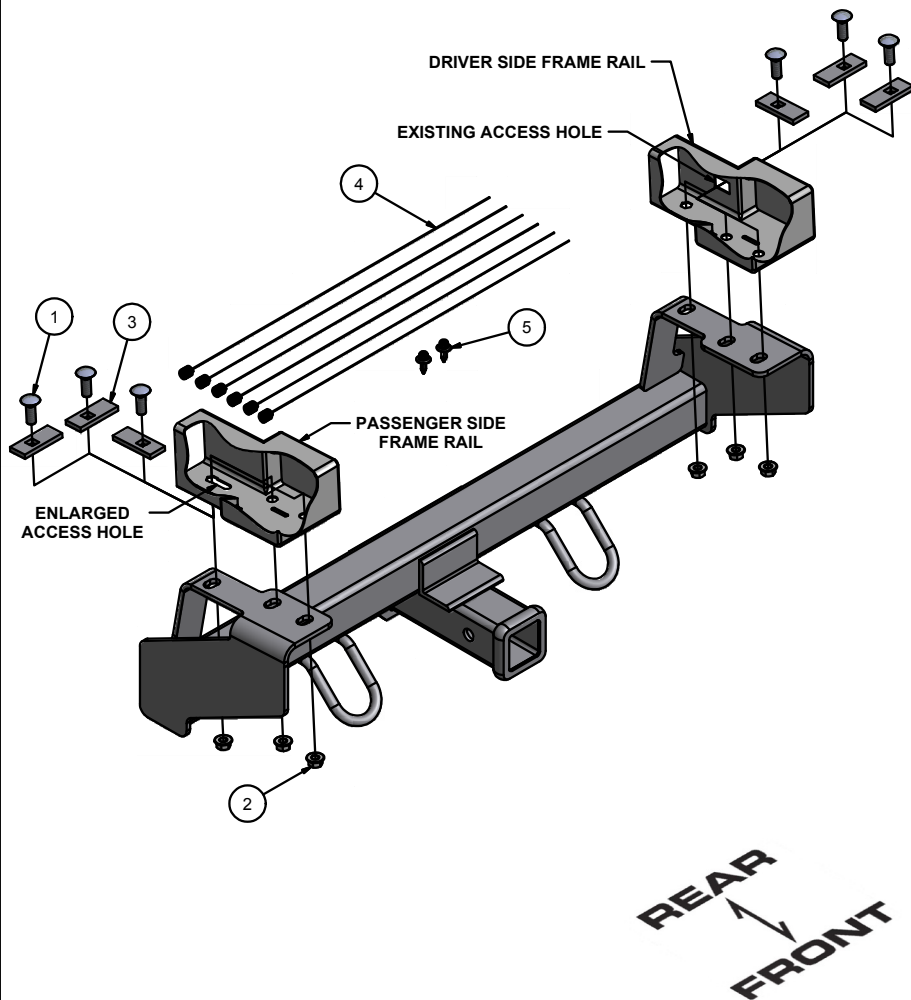
PERIODICALLY CHECK THIS RECEIVER HITCH TO ENSURE ALL FASTENERS ARE TIGHT AND ALL STRUCTURAL COMPONENTS ARE SOUND

CURT Manufacturing Inc. warrants this product to be free of defects in material and/or workmanship at the time of retail purchase by the original purchaser. If the product is found to be defective, Curt Manufacturing Inc. may repair or replace the product at their option, when the product is returned, prepaid, with proof of purchase. Alteration to, misuse of, or improper installation of this product voids the warranty. Curt Manufacturing Inc.'s liability is limited to repair or replacement of products found to be defective, and specifically excludes liability for incidental or consequential loss or damage.

For more information log onto www.curtmfg.com, & for helpful towing tips log onto www.hitchinfo.com

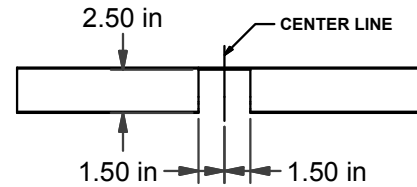
INSTALLATION WALKTHROUGH:

Parts List				
ITEM	QTY	PART NUMBER	DESCRIPTION	
1	6	7/16-14 x 1 1/4	CARRIAGE BOLT	
2	6	7/16-14	LARGE HEX FLANGE NUT	
3	6	CM-SP11	.250 x 1.00 x 2.50" SQUARE HOLE SPACER	
4	6	7_16 FISHWIRE	7/16" FISHWIRE	
5	2	0162662	1/4" PLASTIC FASTENER	



1. Remove front air dam by removing (5) fasteners. Air dam may be trimmed and re-installed after hitch installation or left off and returned to vehicle owner.

NOTE: DIMENSIONS ARE APPROXIMATE
CONFIRM FIT PRIOR TO TRIMMING



AIR DAM TRIM DIAGRAM

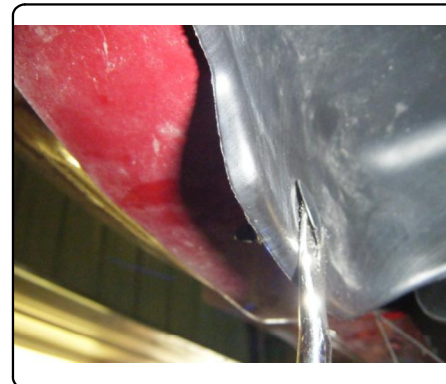


2. For ease of installation remove (4) fasteners that attach the upper and lower fascia together, you will need to cut off (2) fasteners. These fasteners will be reinstalled in Step (9). **Note:** The fasteners cut off will be replaced with the included plastic fasteners.

Determine Which Installation Fits Your Application:

Installation A: Without Skid Shields and Tow Loops **continue to Sheet 3.**

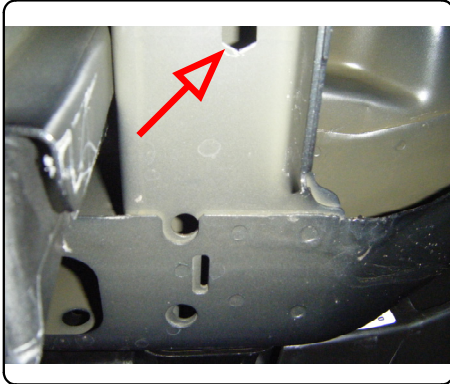
Installation B: With Skid Shields and Tow Loops **continue to Sheet 4.**



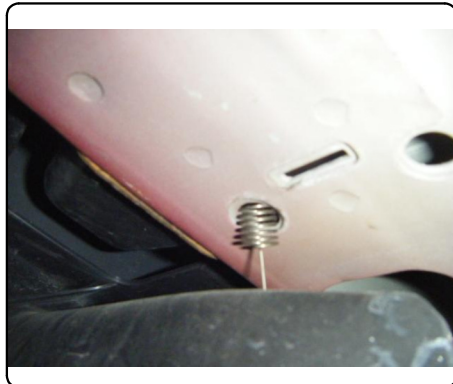
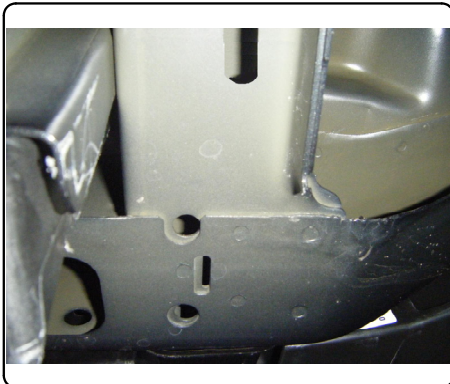
INSTALLATION WALKTHROUGH:

Installation A: *continued*

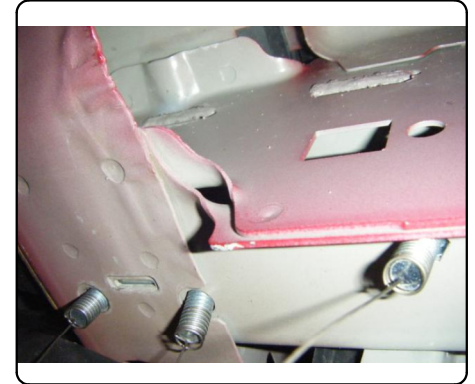
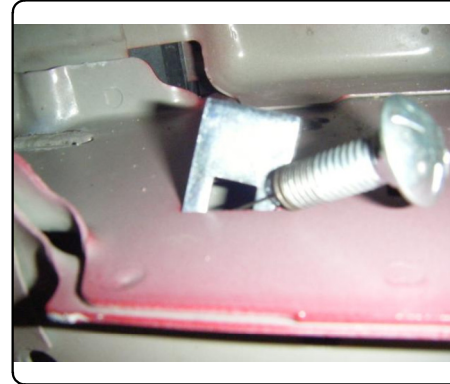
3. Using a die grinder enlarge the access hole on the passenger side frame rail to allow 7/16" carriage bolts and SP11 spacers to be fishwired into the frame rail.



4. Fishwire 7/16" carriage bolts and SP11 spacers into place through the passenger side access hole created in Step (3). **Note:** Leave fishwires attached to the hardware to prevent from losing in frame.



5. Fishwire 7/16" carriage bolts and SP11 spacers into place through the existing driver side access hole. **Note:** Leave fishwires attached to the hardware to prevent from losing in frame.



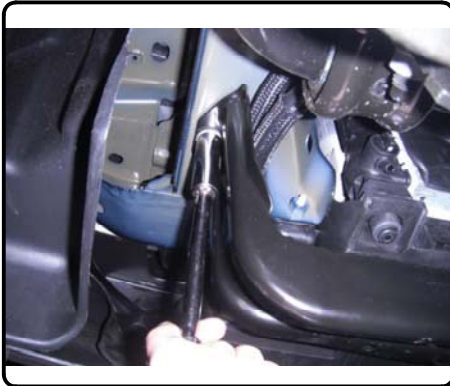
6. Thread fishwires through mounting holes on hitch and raise hitch into position. When complete **continue to Sheet 5.**



INSTALLATION WALKTHROUGH:

Installation B: *continued*

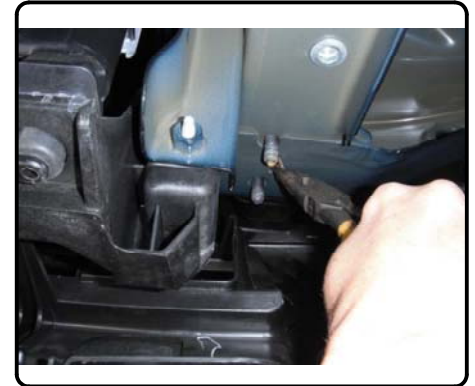
3. Remove the front skid shield and skid shield bracket by removing (8) M10 fasteners. Reattach the front skid shield and return skid shield bracket and (2) bolts to owner, retain (2) bolts for later use.



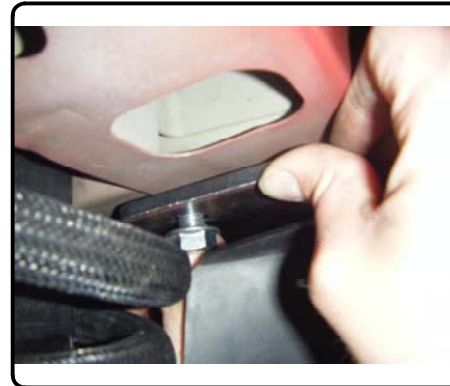
4. Remove tow loops by removing (3) M10 fasteners, each side. Return tow loops and (2) bolts to owner, retain (4) nuts for later use.



5. Using a pliers break off nut plate tab by bending until the metal tab snaps off.



6. Raise hitch into position and secure the rear most holes using the M10 bolts removed in Step (3). Secure the front holes of the hitch with the M10 nuts removed in Step (4).
Note: Be careful not to push the nut plates into the frame rails. When complete **continue to Sheet 5.**

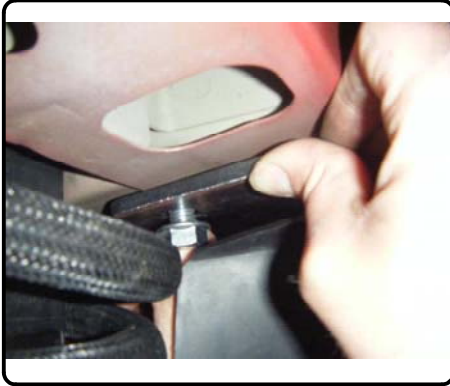


INSTALLATION WALKTHROUGH:

Installation A: *continued*

7. When hitch is in position remove fishwires and secure hitch to frame using 7/16" flange nuts

Installation B: *continue to Step 8.*



Installation A: *continued*

8. Torque all 7/16" hardware to 50 ft-lbs

Installation B: *continued*

8. Torque all 10mm hardware to 35 ft-lbs



9. Re-install fasteners which were removed in Step (2).
If air dam was trimmed re-install.



10. Install is complete.



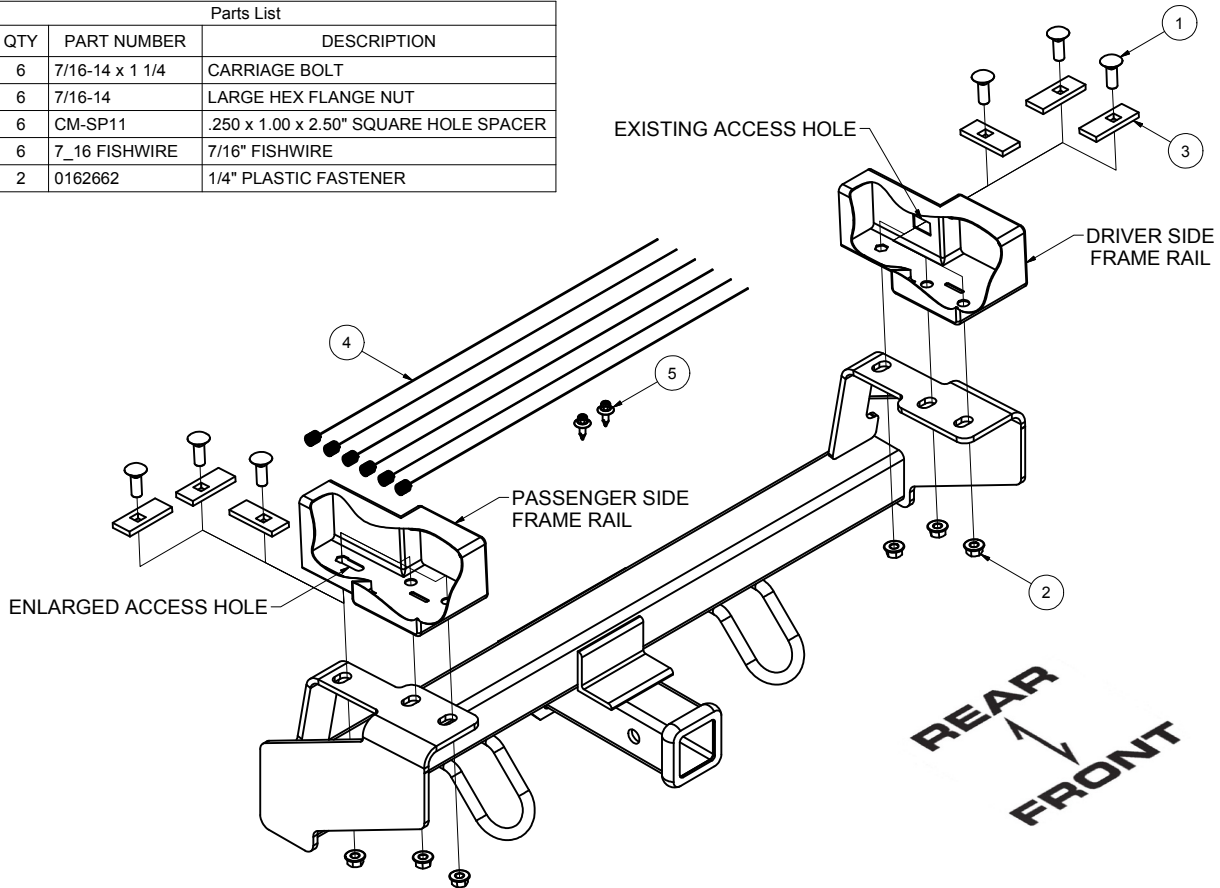
31020

JEEP LIBERTY

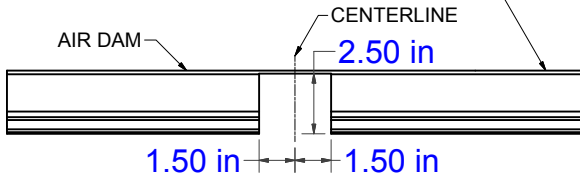
9/22/2010

GROSS LOAD CAPACITY WHEN USED AS A WEIGHT CARRYING HITCH: 3,000 LBS. TRAILER WEIGHT & 300 LBS. TONGUE WEIGHT. GROSS LOAD CAPACITY WHEN USED AS A STRAIGHT LINE PULL: 9,000 LBS. MAX. LINE PULL. *** DO NOT EXCEED VEHICLE MANUFACTURER'S RECOMMENDED TOWING CAPACITY. *** HAVING INSTALLATION QUESTIONS? CALL TECHNICAL SUPPORT AT 1-800-798-0813

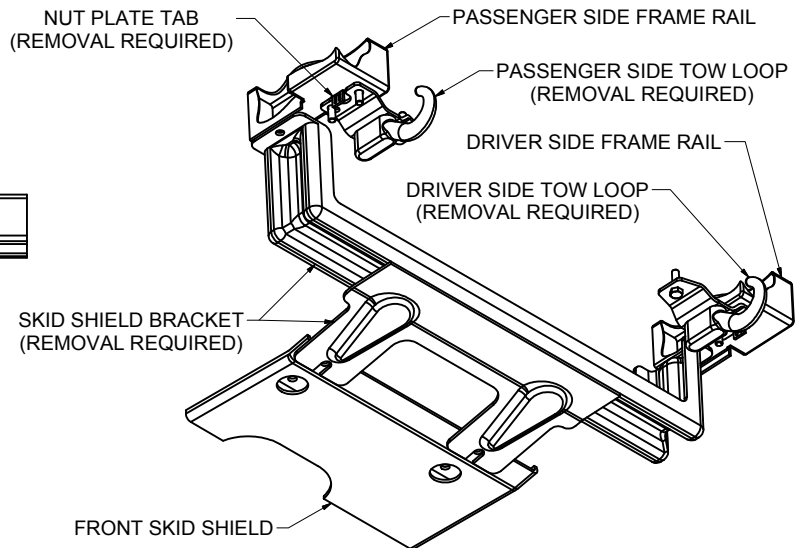
Parts List				
ITEM	QTY	PART NUMBER	DESCRIPTION	
1	6	7/16-14 x 1 1/4	CARRIAGE BOLT	
2	6	7/16-14	LARGE HEX FLANGE NUT	
3	6	CM-SP11	.250 x 1.00 x 2.50" SQUARE HOLE SPACER	
4	6	7_16 FISHWIRE	7/16" FISHWIRE	
5	2	0162662	1/4" PLASTIC FASTENER	



NOTE: DIMENSIONS ARE APPROXIMATE CONFIRM FIT PRIOR TO TRIMMING



AIR DAM TRIM DIAGRAM



INSTALLATION B PARTS DIAGRAM (BOTTOM VIEW)

HITCH WEIGHT: 37 LBS.
 INSTALL TIME
 PROFESSIONAL: 40 MINUTES
 NOVICE (DIY): 80 MINUTES
 INSTALL NOTES:
 - ENLARGE EXISTING HOLE
 - FISHWIRE HARDWARE

PERIODICALLY CHECK THIS RECEIVER HITCH TO ENSURE THAT ALL FASTENERS ARE TIGHT AND THAT ALL STRUCTURAL COMPONENTS ARE SOUND.

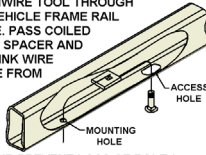
Curt Manufacturing Inc., warrants this product to be free of defects in material and/or workmanship at the time of retail purchase by the original purchaser. If the product is found to be defective, Curt Manufacturing Inc., may repair or replace the product, at their option, when the product is returned, prepaid, with proof of purchase. Alteration to, misuse of, or improper installation of this product voids the warranty. Curt Manufacturing Inc.'s liability is limited to repair or replacement of products found to be defective, and specifically excludes liability for incidental or consequential loss or damage.

31020**JEEP LIBERTY**

GROSS LOAD CAPACITY WHEN USED AS A WEIGHT CARRYING HITCH: 3,000 LBS. TRAILER WEIGHT & 300 LBS. TONGUE WEIGHT.
 GROSS LOAD CAPACITY WHEN USED AS A STRAIGHT LINE PULL: 9,000 LBS. MAX. LINE PULL.
***** DO NOT EXCEED VEHICLE MANUFACTURER'S RECOMMENDED TOWING CAPACITY. *****
 HAVING INSTALLATION QUESTIONS? CALL TECHNICAL SUPPORT AT 1-800-798-0813

FISHWIRE TECHNIQUE

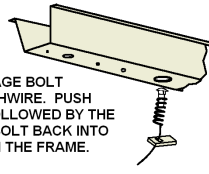
INSERT COILED END OF FISHWIRE TOOL THROUGH HITCH MOUNTING HOLE IN VEHICLE FRAME RAIL AND OUT THE ACCESS HOLE. PASS COILED END OF FISHWIRE THROUGH SPACER AND THREAD BOLT INTO COIL. KINK WIRE TO KEEP SPACER SEPERATE FROM BOLT AS SHOWN. PULL FISHWIRE, SPACER, AND BOLT THROUGH FRAME AND OUT MOUNTING HOLE. USE FISHWIRE TO GUIDE HITCH DURING MOUNTING AND PREVENT LOSS OF BOLT / SPACER INSIDE FRAME RAIL.



NOTE: SOME VEHICLES MAY FISHWIRE THROUGH END OF FRAME

REVERSE PULL FISHWIRE TECHNIQUE

ATTACH FISHWIRE TO CARRIAGE BOLT AND SLIDE SPACER ONTO FISHWIRE. PUSH THE BOLT THRU THE HOLE FOLLOWED BY THE SPACER (AS SHOWN). PULL BOLT BACK INTO POSITION, PROTRUDING FROM THE FRAME.

**TOOLS REQUIRED**

FLATHEAD SCREWDRIVER
RATCHET
11/16" SOCKET
15mm SOCKET
16mm SOCKET
10" SOCKET EXTENSION
DIE GRINDER
TORQUE WRENCH
PLIERS

READ BELOW AND DETERMINE WHICH INSTALLATION FITS YOUR APPLICATION**Installation A:** Without Skid Shields and Tow Loops

1. Remove front air dam by removing (5) fasteners. Air dam may be trimmed and re-installed after hitch installation or left off and returned to vehicle owner. **Note:** If trimming see air dam trim diagram.
2. For ease of installation remove (4) fasteners that attach the upper and lower fascia together, you will need to cut off (2) fasteners. These fasteners will be re-installed in Step (9). **Note:** The fasteners cut off will be replaced with the included plastic fasteners.
3. Using a die grinder enlarge the access hole on the passenger side frame rail to allow 7/16" carriage bolts and SP11 spacers to be fishwired into the frame rail.
4. Fishwire 7/16" carriage bolts and SP11 spacers into place through the passenger side access hole created in Step (3), as shown. **Note:** Leave fishwires attached to the hardware to prevent from losing in frame.
5. Fishwire 7/16" carriage bolts and SP11 spacers into place through the existing driver side access hole, as shown. **Note:** Leave fishwires attached to the hardware to prevent from losing in frame.
6. Thread fishwires through mounting holes on hitch and raise hitch into position.
7. Secure hitch to frame using 7/16" flange nuts and torque all 7/16" hardware to 50 ft-lbs.
8. Re-install fasteners that were removed in Step (2).
9. If air dam was trimmed re-install.

Installation B: With Skid Shields and Tow Loops

1. Remove front air dam by removing (5) fasteners. Air dam may be trimmed and re-installed after hitch installation or left off and returned to vehicle owner. **Note:** If trimming see air dam trim diagram.
2. For ease of installation remove (4) fasteners that attach the upper and lower fascia together, you will need to cut off (2) fasteners. These fasteners will be re-installed in Step (9). **Note:** The fasteners cut off will be replaced with the included plastic fasteners.
3. Remove the front skid shield and skid shield bracket by removing (8) M10 fasteners. Reattach the front skid shield and return skid shield bracket and (2) bolts to owner, retain (2) bolts for later use.
4. Remove tow loops by removing (3) M10 fasteners, each side. Return tow loops and (2) bolts to owner, retain (4) nuts for later use.
5. Using a pliers break off nut plate tab by bending until the metal tab snaps off.
6. Raise hitch into position and secure the rear most holes using the M10 bolts removed in Step (3). **Note:** Be careful not to push the nut plates into the frame rails
7. Secure the front holes of the hitch with the M10 nuts removed in Step (4).
8. Torque all 10mm hardware to 35 ft-lbs.
9. Re-install fasteners that were removed in Step (2).
10. If air dam was trimmed re-install.

PERIODICALLY CHECK THIS RECEIVER HITCH TO ENSURE THAT ALL FASTENERS ARE TIGHT AND THAT ALL STRUCTURAL COMPONENTS ARE SOUND.

*****DO NOT EXCEED VEHICLE MANUFACTURER'S RECOMMENDED TOWING CAPACITY*****.

FRONT MOUNTED ACCESSORIES

1. Do not exceed front axle Gross Weight Rating (GAWR). Consult owners manual or specification plate located on driver's door frame. Measure gross front axle weight by placing front wheels of loaded vehicle on a scale.

WARNING: Exceeding GAWR may overload the front axle and/or suspension. This could result in **accident, property damage and personal injury.**

2. Reposition front mounted license plate if obstructed.
3. Do not obstruct vehicle lights.
4. Allow free air flow into grille opening.
5. Rear wheel traction may be reduced. This could effect handling. Reduce speed and drive with caution.
6. Accessories extend front of vehicle. This may reduce approach angle. Use caution when parking and maneuvering.
7. Do not obstruct driver view.

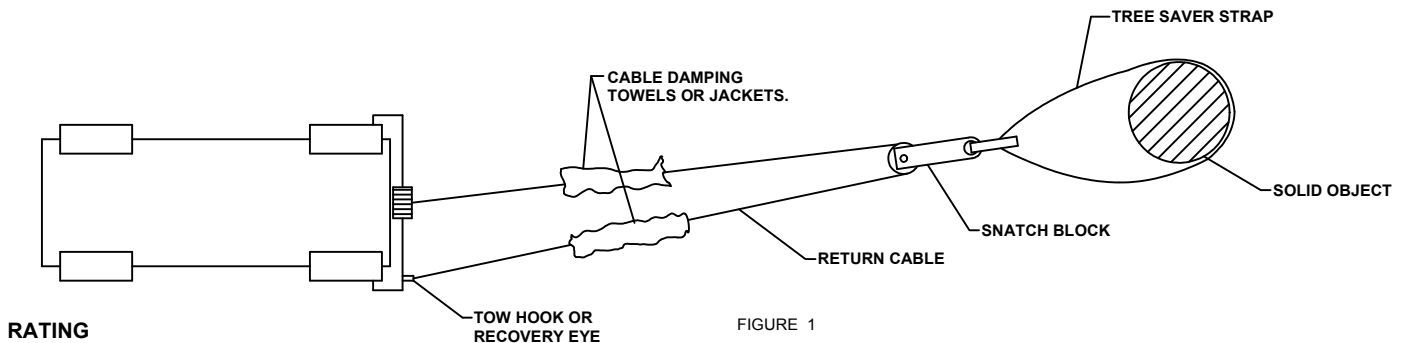
VEHICLE RECOVERY AND WINCHING TIPS

1. Use OEM tow hooks, recovery eyes or a clevis mount for attachment of a tow strap or winch cable.

WARNING: NEVER use a ball and/or ball mount as an anchor point for tow strap or winch cable. Severe personal injury or death could result.

2. Observe winch manufacturer's recommendations, cautions and warnings.
3. Attach return cable to tow hook or recovery eye when using a snatch block (See figure 1).

CAUTION: Do not attach return cable to winch mount. This may overload winch mount and/or front mounted receiver.



RATING

For **Maximum** line pull rating, winch cable must not exceed:

- 15° angle up or down from horizontal (See Figure 2).
- 45° angle left or right from straight ahead (See Figure 3).

CAUTION: Exceeding the maximum line pull rating may over load winch, winch mount, and/or front mounted receiver.

