



31045 INSTALLATION INSTRUCTIONS



Safety glasses should be worn at all times while installing this product.

YEARS: 2009-2011

MAKE: CHEVROLET, BUICK & GMC

MODEL: TRAVERSE, ENCLAVE & ACADIA

STYLE: CROSSOVER

WARNING: NEVER EXCEED YOUR VEHICLE MANUFACTURER'S RECOMMENDED TOWING CAPACITY

WEIGHT CARRYING:
TRAILER WEIGHT: 3,500 LBS.
TONGUE WEIGHT: 350 LBS.

GROSS LOAD CAPACITY WHEN USED AS A STRAIGHT LINE PULL:
9,000 LBS MAX.

INSTALLATION TIME: 30 MIN.

THE INSTALL TIME LISTED IS FOR PROFESSIONAL INSTALLERS. IF YOU ARE HESITANT TO UNDERTAKE THIS TASK ON YOUR OWN, CONTACT AN AUTHORIZED CURT INSTALLER FOR ADDITIONAL ASSISTANCE.


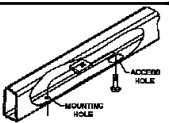
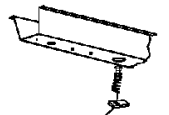

INSTALLATION REQUIRES:

 RATCHET	 SOCKET 3/4"	 SOCKET EXTENSION 10"
 TORQUE WRENCH	 TAPE MEASURE	 MARKER
 UTILITY KNIFE	 SCREW DRIVER	

INSTALLATION TIPS:

- BEFORE YOU BEGIN INSTALLATION, READ ALL INSTRUCTIONS THOROUGHLY.
- TO EASE INSTALLATION, 2 PEOPLE MAY BE REQUIRED.
- USING PROPER TOOLS WILL GREATLY IMPROVE THE QUALITY OF THE INSTALL AND REDUCE THE TIME REQUIRED.
- NEED HELP OR HAVE SOME QUESTIONS? CALL TECHNICAL SUPPORT AT 800.798.0813

LEVEL OF DIFFICULTY: MODERATE

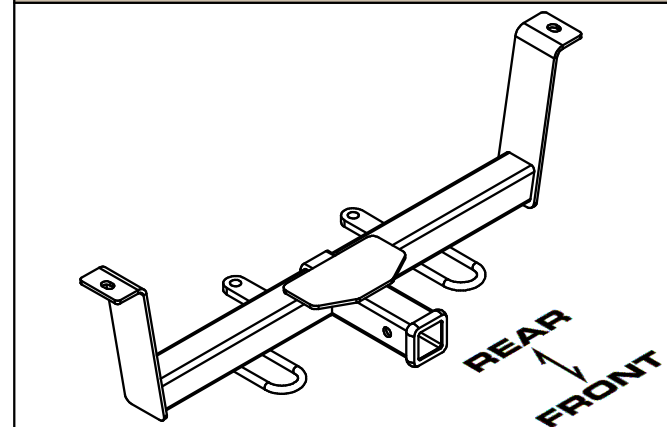
EASY	MODERATE	HARD
 TRIM	FASCIA TRIMMING	
 MOUNTING HOLE ACCESS HOLE	FISHWIRE HARDWARE	
	REVERSE FISHWIRE HARDWARE	
	NO DRILLING REQUIRED	

VEHICLE PHOTO:



REPRESENTATIVE PHOTO

HITCH ILLUSTRATION:



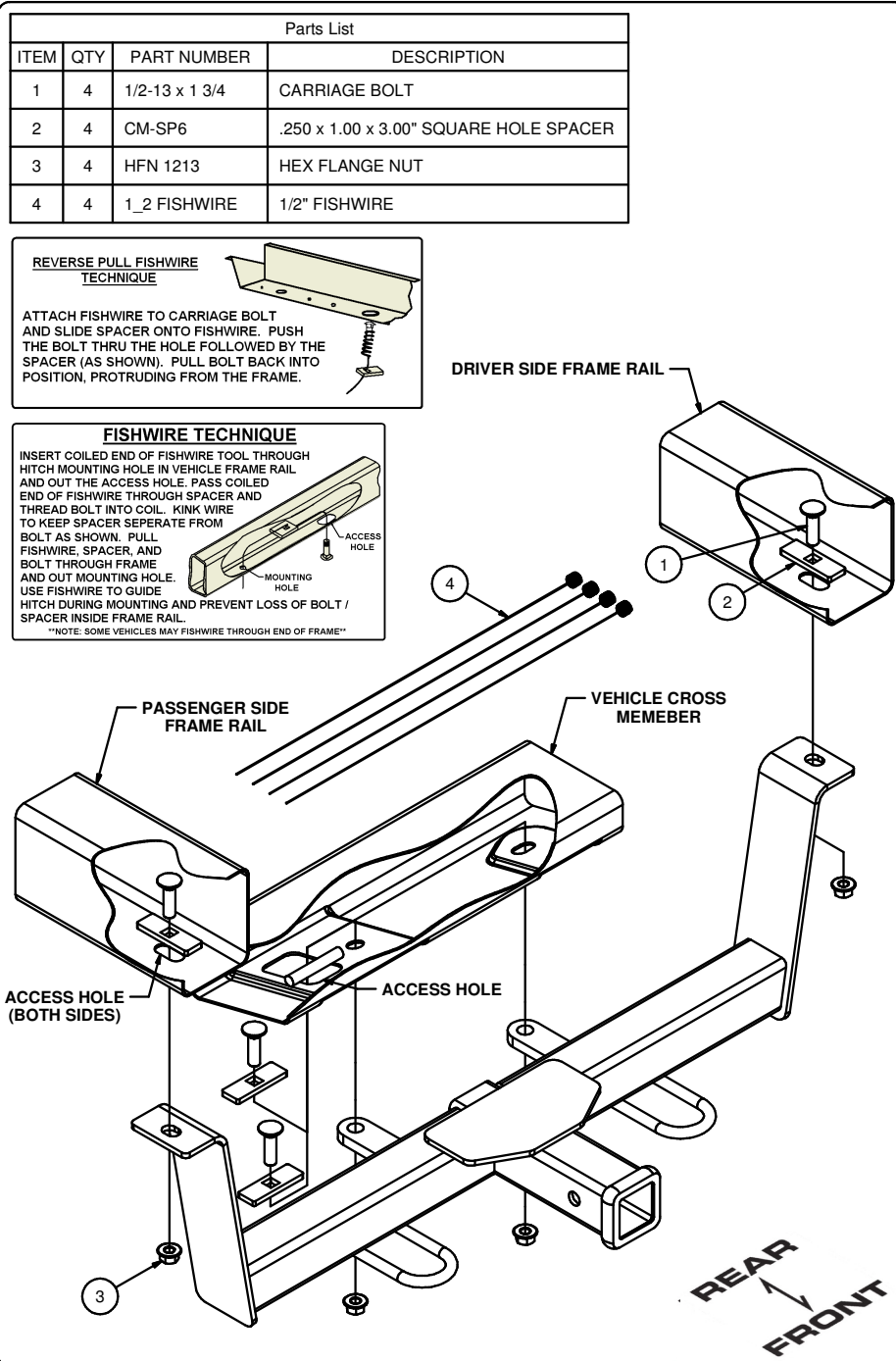
MAKE SURE YOUR HITCH MATCHES

PERIODICALLY CHECK THIS RECEIVER HITCH TO ENSURE ALL FASTENERS ARE TIGHT AND ALL STRUCTURAL COMPONENTS ARE SOUND

CURT Manufacturing Inc. warrants this product to be free of defects in material and/or workmanship at the time of retail purchase by the original purchaser. If the product is found to be defective, Curt Manufacturing Inc. may repair or replace the product at their option, when the product is returned, prepaid, with proof of purchase. Alteration to, misuse of, or improper installation of this product voids the warranty. Curt Manufacturing Inc.'s liability is limited to repair or replacement of products found to be defective, and specifically excludes liability for incidental or consequential loss or damage.

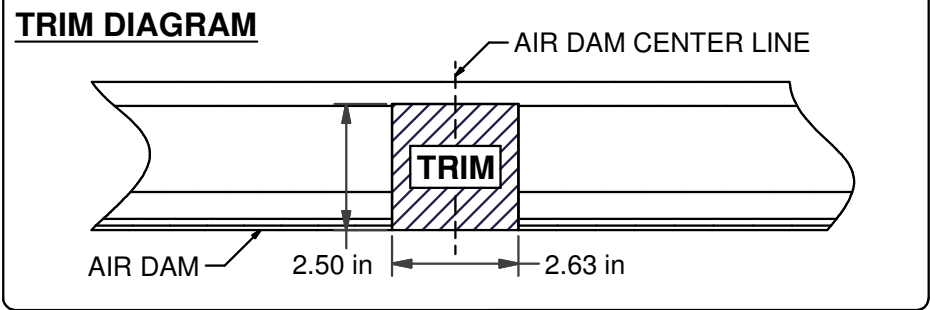
For more information log onto www.curtmfg.com, & for helpful towing tips log onto www.hitchinfo.com

INSTALLATION WALKTHROUGH:

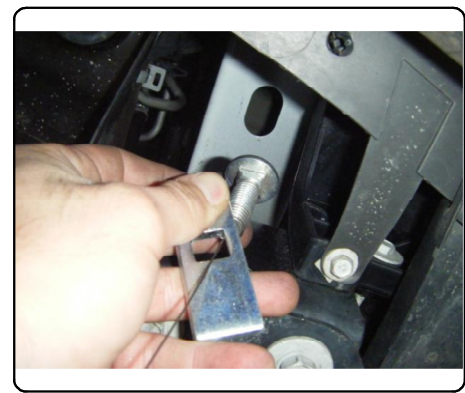


1. Mark and trim air dam or remove and return to vehicle owner. (See TRIM DIAGRAM)

NOTE: TRIM DIMENSIONS ARE APPROXIMATE. CHECK FIT PRIOR TO TRIMMING. TRIM AS NEEDED FOR PIN HOLE AND CHAIN LOOPS.



2. Reverse fishwire (1) 1/2" carriage bolt and (1) CM-SP6 spacer into each frame rail. **Note:** Leave fishwires attached to all hardware to prevent loss in the frame. (See REVERSE PULL FISHWIRE TECHNIQUE)



INSTALLATION WALKTHROUGH:

3. If blanks are stuck next to mounting holes in the vehicle cross member use a screw driver to break them loose.



4. Fishwire (2) 1/2" carriage bolts and (2) CM-SP6 spacers into position through access hole into vehicle cross member.
Note: When fishwiring the bolt through the hole nearest the access hole, it may ease the process to turn the bolt so the head is towards the center of the vehicle.



5. Thread the fishwires through the hitch mounting locations and raise the hitch into position. Secure hitch to frame using 1/2" flange nuts.



6. Torque all 1/2" hardware to 110 ft-lbs.
Install is complete.



31045 CHEVROLET TRAVERSE, BUICK ENCLAVE & GMC ACADIA

12/10/2012

GROSS LOAD CAPACITY WHEN USED AS A WEIGHT CARRYING HITCH: 3,500 LBS. TRAILER WEIGHT & 350 LBS. TONGUE WEIGHT.

GROSS LOAD CAPACITY WHEN USED AS A STRAIGHT LINE PULL: 9,000 LBS. MAX. LINE PULL.

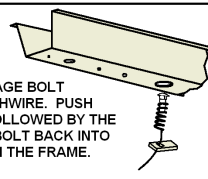
*** DO NOT EXCEED VEHICLE MANUFACTURER'S RECOMMENDED TOWING CAPACITY. ***

HAVING INSTALLATION QUESTIONS? CALL TECHNICAL SUPPORT AT 1-800-798-0813

Parts List			
ITEM	QTY	PART NUMBER	DESCRIPTION
1	4	1/2-13 x 1 3/4	CARRIAGE BOLT
2	4	CM-SP6	.250 x 1.00 x 3.00" SQUARE HOLE SPACER
3	4	HFN 1213	HEX FLANGE NUT
4	4	1_2 FISHWIRE	1/2" FISHWIRE

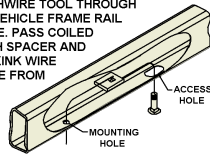
REVERSE PULL FISHWIRE TECHNIQUE

ATTACH FISHWIRE TO CARRIAGE BOLT AND SLIDE SPACER ONTO FISHWIRE. PUSH THE BOLT THRU THE HOLE FOLLOWED BY THE SPACER (AS SHOWN). PULL BOLT BACK INTO POSITION, PROTRUDING FROM THE FRAME.



FISHWIRE TECHNIQUE

INSERT COILED END OF FISHWIRE TOOL THROUGH HITCH MOUNTING HOLE IN VEHICLE FRAME RAIL AND OUT THE ACCESS HOLE. PASS COILED END OF FISHWIRE THROUGH SPACER AND THREAD BOLT INTO COIL. KINK WIRE TO KEEP SPACER SEPERATE FROM BOLT AS SHOWN. PULL FISHWIRE, SPACER, AND BOLT THROUGH FRAME AND OUT MOUNTING HOLE. USE FISHWIRE TO GUIDE HITCH DURING MOUNTING AND PREVENT LOSS OF BOLT / SPACER INSIDE FRAME RAIL.

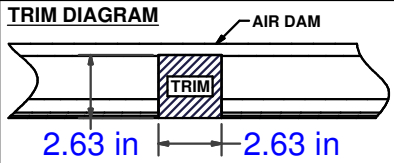


NOTE: SOME VEHICLES MAY FISHWIRE THROUGH END OF FRAME

TOOLS REQUIRED

RATCHET
3/4" SOCKET
10" SOCKET EXTENSION
TORQUE WRENCH
TAPE MEASURE
MARKER
UTILITY KNIFE
SCREWDRIVER

TRIM DIAGRAM



HITCH WEIGHT: 33 LBS.

INSTALL TIME

PROFESSIONAL: 30 MINUTES

NOVICE (DIY): 60 MINUTES

INSTALL NOTES:

- NO DRILLING REQUIRED
- FISHWIRE HARDWARE
- FASCIA TRIMMING

INSTALLATION STEPS

1. Mark and trim air dam or remove and return to vehicle owner. (See TRIM DRIAGRAM above) **NOTE:** Trim dimensions are approximate. Check fit prior to trimming. Trim as needed for pin hole and chain loops.
2. Reverse fishwire (1) 1/2" carriage bolt and (1) CM-SP6 spacer into each frame rail. **Note:** Leave fishwires attached to all hardware to prevent loss in the frame. (See REVERSE PULL FISHWIRE TECHNIQUE)
3. If blanks are stuck next to mounting holes in the vehicle cross member use a screw driver to break them loose.
4. Fishwire (2) 1/2" carriage bolts and (2) CM-SP6 spacers into position through access hole into vehicle cross member. **Note:** When fishwiring the bolt though the hole nearest the access hole, it may ease the process to turn the bolt so the head is towards the center of the vehicle. (See FISHWIRE TECHNIQUE)
5. Thread the fishwires through the hitch mounting locations and raise the hitch into position. Secure hitch to frame using 1/2" flange nuts.
6. Torque all 1/2" hardware to 110 ft-lbs.

PERIODICALLY CHECK THIS RECEIVER HITCH TO ENSURE THAT ALL FASTENERS ARE TIGHT AND THAT ALL STRUCTURAL COMPONENTS ARE SOUND.

Curt Manufacturing Inc., warrants this product to be free of defects in material and/or workmanship at the time of retail purchase by the original purchaser. If the product is found to be defective, Curt Manufacturing Inc., may repair or replace the product, at their option, when the product is returned, prepaid, with proof of purchase. Alteration to, misuse of, or improper installation of this product voids the warranty. Curt Manufacturing Inc.'s liability is limited to repair or replacement of products found to be defective, and specifically excludes liability for incidental or consequential loss or damage.

31045 CHEVROLET TRAVERSE, BUICK ENCLAVE & GMC ACADIA

*****DO NOT EXCEED VEHICLE MANUFACTURER'S RECOMMENDED TOWING CAPACITY*****.

FRONT MOUNTED ACCESSORIES

1) Do not exceed front axle Gross Weight Rating (GAWR). Consult owners manual or specification plate located on driver's door frame. Measure gross front axle weight by placing front wheels of loaded vehicle on a scale.

WARNING: Exceeding GAWR may overload the front axle and/or suspension. This could result in **accident, property damage and personal injury.**

- 2) Reposition front mounted license plate if obstructed.
- 3) Do not obstruct vehicle lights.
- 4) Allow free air flow into grille opening.
- 5) Rear wheel traction may be reduced. This could effect handling. Reduce speed and drive with caution.
- 6) Accessories extend front of vehicle. This may reduce approach angle. Use caution when parking and maneuvering.
- 7) Do not obstruct driver view.

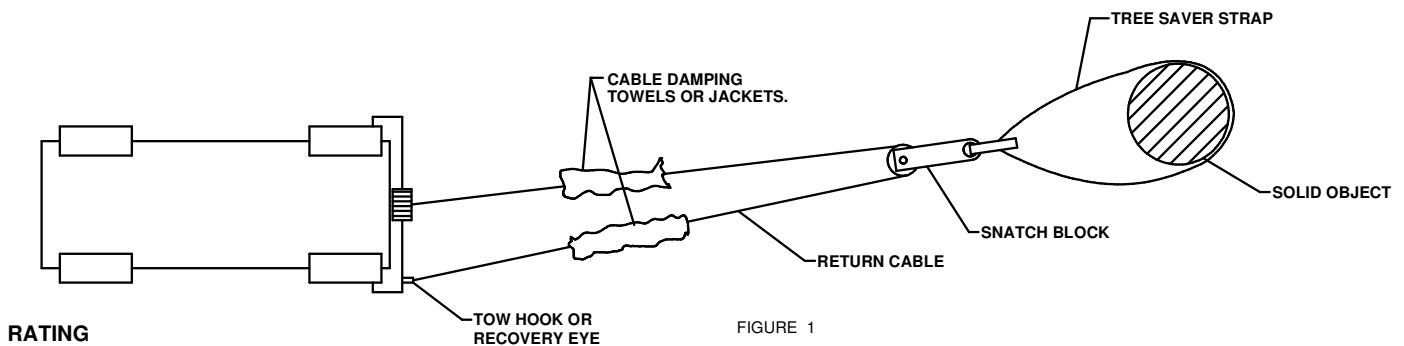
VEHICLE RECOVERY AND WINCHING TIPS

1) Use OEM tow hooks, recovery eyes or a clevis mount for attachment of a tow strap or winch cable.

WARNING: NEVER use a ball and/or ball mount as an anchor point for tow strap or winch cable. Severe personal injury or death could result.

- 2) Observe winch manufacturer's recommendations, cautions and warnings.
- 3) Attach return cable to tow hook or recovery eye when using a snatch block (See figure 1).

CAUTION: Do not attach return cable to winch mount. This may overload winch mount and/or front mounted receiver.



RATING

- For **Maximum** line pull rating, winch cable must not exceed:
- 15 degree angle up or down from horizontal (See Figure 2).
 - 45 degree angle left or right from straight ahead (See Figure 3).

CAUTION: Exceeding the maximum line pull rating may over load winch, winch mount, and/or front mounted receiver.

