

60604

CHEVY-GMC 2500 / 3500 SHORT AND LONG BED

7/13/2012

**\*\*DO NOT EXCEED RECOMMENDED VEHICLE TOWING WEIGHT!\*\***

**WARNING!!** BRAKE, FUEL, AND ELECTRICAL LINES MAY NEED TO BE LOOSENED OR REPOSITIONED TO PROVIDE CLEARANCE FOR NEW HARDWARE. ALL MODELS REQUIRE MODIFICATION OR REMOVAL OF HEAT SHIELDS. ON SHORT BED MODELS, CHECK FOR ADEQUATE TURNING CLEARANCE BETWEEN THE FRONT OF ALL TRAILERS AND THE TRUCK CAB.

**WARNING!!** ON TWO WHEEL DRIVE TRUCKS A CLEARANCE CHECK MUST BE PERFORMED WHEN TRUCK IS LOADED AND UNLOADED TO VERIFY THE INVERTED BALL WILL NOT INTERFERE WITH THE TOP OF THE DIFFERENTIAL

**INSTALLATION STEPS**

**\*\*REMOVE ALL REAR WINDOW ACCESSORIES BEFORE TOWING\*\***

**BEFORE INSTALLING**

An overhead lifting device, such as chain falls, engine hoist, or cable come-a-long, can be used to lift the center section of the hitch in place. Lower a loop of rope or chain through the hole in the truck bed floor and attach it to the round hitch receiver tube in the center section. Use the lifting device to raise the center section until the round hitch receiver tube that protrudes from the center section fits in the hole in the truck bed floor. Maintaining upward pressure may facilitate fastening the crossmember to the center section, especially if the truck bed floor has been distorted downward from heavy use.

1. Remove spare tire and heat shield. The heat shield under the bed floor needs to be removed or a section cut out for the hitch assembly to be installed. First, remove the heat shield from in front of the rear crossmember. Next, remove the heat shield from the back of the crossmember located near the front of the wheel well. Remove plastic wheel well covers if vehicle is equipped with them.

**\*\*NOTE: Before installing crossarms, run a 1/2-13 bolt or 1/2"-13 tap through crossarm holes to remove any powder coating or debris.\*\***

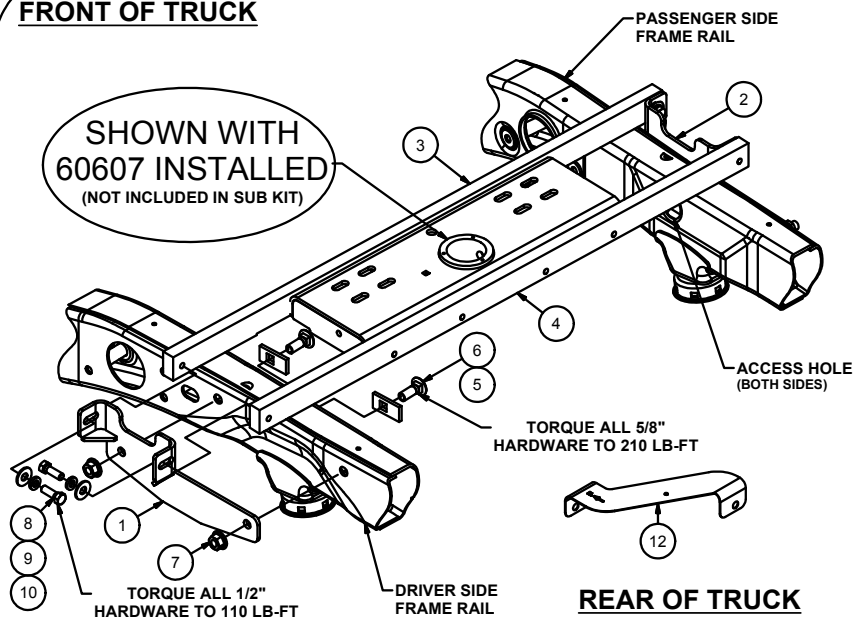
2. Install the rear crossarm by sliding it between the frame and the floor of the truck bed above the passenger side rear tire. After spanning the frame rails, rotate the cross arm vertically with the holes towards the bottom.
3. Install the front crossarm by sliding it between the truck frame and the floor of the truck bed above the passenger side rear tire (**SEE FIGURE 1**). With the crossarm spanning the truck frame rails, rotate it vertically with the holes towards the bottom.
4. Install the sideplates (flanges toward the front of the vehicle), aligning the holes in the side plates with the existing holes in the frame as shown.

**QUICK HOLE DIMENSIONS**

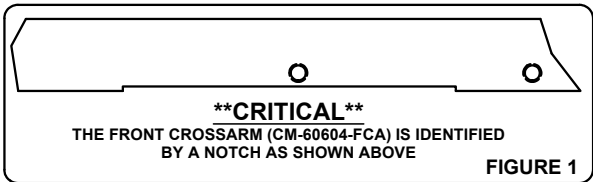
**SHORT BED INSTALLATION 44"**  
**LONG BED INSTALLATION 48 7/8"**

Parts List			
ITEM	QTY	PART NUMBER	DESCRIPTION
1	1	CM-60604-DSW	WELDMENT ASSEMBLY
2	1	CM-60604-PSW	WELDMENT ASSEMBLY
3	1	CM-60604-FCA	1" x 2" FRONT CROSS ARM
4	1	CM-60604-RCA	1" x 2" REAR CROSS ARM
5	4	CM-SP9	.250 x 1.25 x 2.50" SQUARE HOLE SPACER
6	4	5/8-11 x 1 3/4	CARRIAGE BOLT
7	4	5/8-11	HEX FLANGE NUT
8	12	1/2 - 13 x 1 1/2	HEX BOLT
9	12	1/2"	LOCK WASHER
10	12	FW12	FW, 12, ZP
11	2	5_8 FISHWIRE	5/8" FISHWIRE
12	1	CM-60604-T	16GA. TEMPLATE

**FRONT OF TRUCK**



**\*\*FISHWIRES NOT SHOWN\*\***



**FIGURE 2**

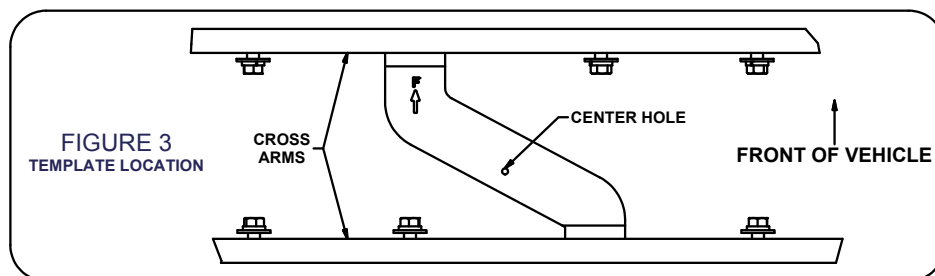
Curt Manufacturing Inc., warrants this product to be free of defects in material and/or workmanship at the time of retail purchase by the original purchaser. If the product is found to be defective, Curt Manufacturing Inc., may repair or replace the product, at their option, when the product is returned, prepaid, with proof of purchase. Alteration to, misuse of, or improper installation of this product voids the warranty. Curt Manufacturing Inc.'s liability is limited to repair or replacement of products found to be defective, and specifically excludes liability for incidental or consequential loss or damage.

**\*\*DO NOT EXCEED RECOMMENDED VEHICLE TOWING WEIGHT!\*\***

**\*\*REMOVE ALL REAR WINDOW ACCESSORIES BEFORE TOWING\*\***

### INSTALLATION STEPS CONTINUED

5. Attach the sideplate flanges to the cross arms using (2) 1/2" x 1 1/2" hex bolts with 1/2" washers and 1/2" lock washers. Thread them through the inside of the sideplate flanges into the crossarms. **(Finger tight only!)**
6. Fishwire the 5/8" bolts and spacers into position through the access holes and attach the sideplates to the frame using (2) 5/8" flange nuts on each side. **(Finger tight only). See Figure 2.**
7. Using the 1/2" hardware supplied install the (CM-60604-T) template between the cross arms with the arrow pointing to the front of the vehicle as shown in figure 3. Using the template, drill through the center hole with a 1/4" drill bit into the bed of the vehicle.



8. After drilling the pilot hole, remove the template. Using a 4" hole saw or saber saw (with metal cutting blade), enlarge the hole for the center section to pass through.
9. Install the center section by carefully raising it above the fuel tank from beneath the truck. Insert (4) 1/2" x 1 1/2" hex bolts with a washer and lock washer through each of the slots on the inside of the center section, and thread them finger tight into the rear crossarm. Repeat that process for the front crossarm. While installing the center section, be sure the round hitch cylinder that protrudes from the top of the center section is **positioned towards the rear of the truck** and is centered in the hole in the bed of the truck.
10. Disconnect lifting device if used and square center section to frame rails.
11. Torque all 1/2" fasteners to 110 ft-lbs, and all 5/8" fasteners to 210 ft-lbs in the following order:
  - First:** Torque the center section to the front and rear crossarms.
  - Second:** Torque the sideplates to the truck frame on both sides.
  - Third:** Torque the sideplate flanges to the front and rear crossarms.

#### **WARNING!**

#### **INCORRECT INSTALLATION OF 60607 SAFETY CHAIN U-BOLTS MAY RESULT IN VEHICLE DAMAGE**

60607 safety chain u-bolts, be sure to use the u-bolt slots nearest the 60607 cylinder. This will prevent contact of the safety chain u-bolts with the vehicle fuel tank. Installation of u-bolts in outside slots may result in puncturing of the vehicle fuel tank.

Refer to the 60607 installation instructions for full installation of safety chain u-bolts.

#### **(REFER TO GOOSENECK HITCH INSTRUCTIONS FOR INSTALLATION AND OPERATION PROCEDURES)** **Maintenance (Required every 30 days or prior to use)**

1. Keep hitch ball lubricated regularly. Use silicone spray or equivalent to prevent wear and rust.
2. Keep hitch assembly free of dirt and other foreign debris.
3. Check for proper torque on all nuts and bolts before each use. Also check for excessive wear.
4. Check ball wear before each use. **(Note: Do not tow trailer with worn or damaged parts.)**

Curt Manufacturing Inc., warrants this product to be free of defects in material and/or workmanship at the time of retail purchase by the original purchaser. If the product is found to be defective, Curt Manufacturing Inc., may repair or replace the product, at their option, when the product is returned, prepaid, with proof of purchase. Alteration to, misuse of, or improper installation of this product voids the warranty. Curt Manufacturing Inc.'s liability is limited to repair or replacement of products found to be defective, and specifically excludes liability for incidental or consequential loss or damage.

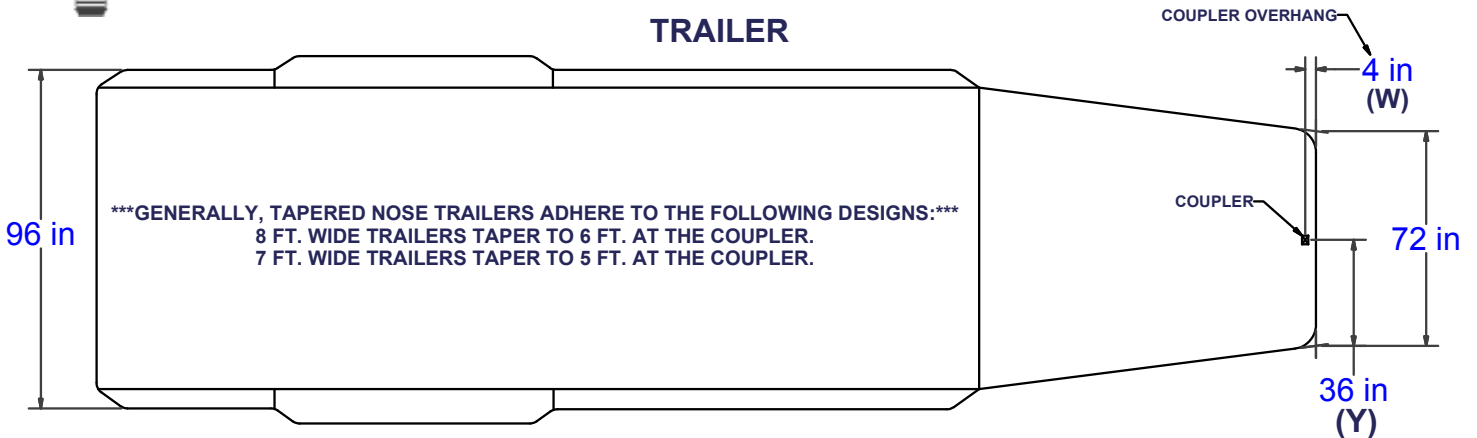


\*\*\*DO NOT EXCEED VEHICLE MANUFACTURER'S RECOMMENDED TOWING CAPACITY.\*\*\*

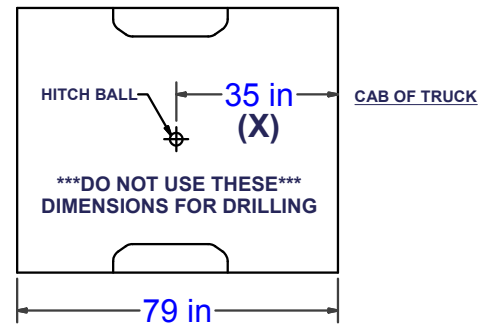
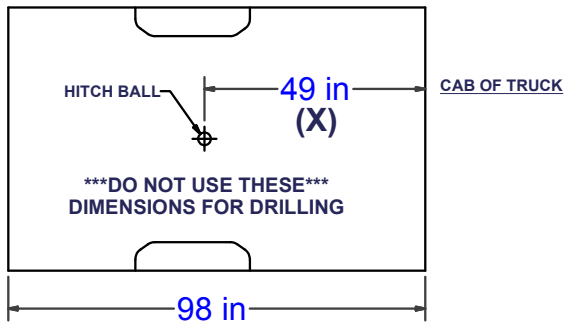
# CAB TO TRAILER CLEARANCE

\*\*REMOVAL OF REAR WINDOW ACCESSORIES MAY BE REQUIRED.\*\*

## TRAILER



## LONG & SHORT TRUCK BEDS



## CLEARANCE CALCULATION

$$(CAB TO BALL CENTER) - \frac{1}{2} (TRAILER WIDTH) = (MINIMUM CLEARANCE)$$

$$(X) - (Y) = (Z)$$

IF THERE IS AN OVERHANG FROM THE COUPLER THEN THE EQUATION IS:

$$[(X) - (W)] - (Y) = (Z)$$

\*\*\*IF (Z) IS POSITIVE, TRAILER **WILL NOT** INTERFERE WITH CAB OF TRUCK.\*\*\*  
 IF (Z) IS NEGATIVE, TRAILER **WILL** INTERFERE WITH CAB OF TRUCK!!!

### EXAMPLE:

#### STANDARD TRAILER

$$X - Y = Z$$

$$35 - 36 = -1$$

(TRAILER **WILL INTERFERE** WITH CAB)

#### TRAILER WITH OVERHANG

$$[(X) - (W)] - Y = Z$$

$$[35 - 4] - 36 = -5$$

(TRAILER **WILL INTERFERE** WITH CAB)

### YOUR CALCULATION:

(CAB TO BALL CENTER) \_\_\_\_\_

(COUPLER OVERHANG) - \_\_\_\_\_

1/2 (TRAILER WIDTH) - \_\_\_\_\_

(MINIMUM CLEARANCE) = \_\_\_\_\_

Curt Manufacturing Inc., warrants this product to be free of defects in material and/or workmanship at the time of retail purchase by the original purchaser. If the product is found to be defective, Curt Manufacturing Inc., may repair or replace the product, at their option, when the product is returned, prepaid, with proof of purchase. Alteration to, misuse of, or improper installation of this product voids the warranty. Curt Manufacturing Inc.'s liability is limited to repair or replacement of products found to be defective, and specifically excludes liability for incidental or consequential loss or damage.