

# INSTALLATION INSTRUCTIONS

## PART#4045(B-C-PS)

99-13 CHEVY / GMC SILVERADO 1500, 2500 / CHEYENNE EXTENDED CAB 3 & 4DR

01-13 CHEVY / GMC SILVERADO 2500HD, 3500 / SIERRA EXTENDED CAB 4DR.

### Parts List:

<b>QTY</b>	(1) Hardware kit including:	
( 1 ) Sidebar set (Driver & Passenger)	( 4 ) 1/2 x 1 1/2" Hex head bolt	( 2 ) 3/8" Lock washer
( 2 ) Front mounting brackets	( 6 ) M12 x 120mm Hex head bolt	
( 2 ) Rear mounting brackets	( 10 ) 1/2" Flat washer	
( 2 ) Central mounting brackets	( 10 ) 1/2" Lock washer	
	( 2 ) 3/8 x 1 1/4" Hex head bolt	
	( 2 ) 3/8" Flat washer	

### Tools required:

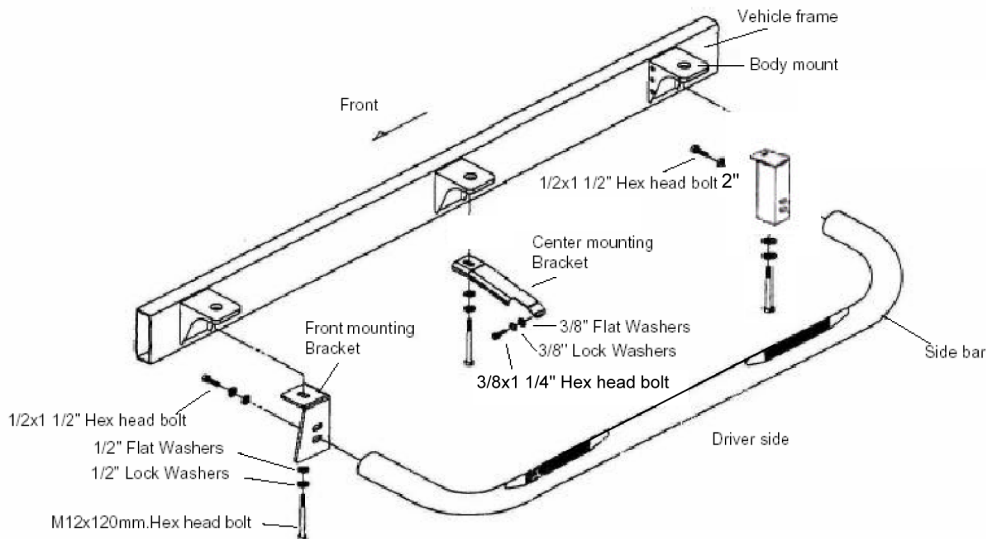
3/4" Socket	19 mm Socket	Extension	Ratchet
18 mm Socket	9/16" Socket	21 mm Socket	

### Instructions:

Aproximated installation time: 30 min.

1. Read and understand instructions completely before beginning installation.
2. The set of sidebars has a driver and passenger side. The bigger leg on side bar go to the front of vehicle.
3. Remove the original body mount bolt ( 3 per side ) and keep the washers and rubber parts.
4. Put the front, center, and rear bracket with the original washer and rubber part ( as in the original position ), and use the original bolts. **Note:On models 99 - 04 change the original body mount bolt for the M12 x 120 mm Hex Head Bolt provided and 1/2" Flat and lock washers, on 05-06 models use the original bolts to attach the brackets.** Leave loose.( refer to a ilustration).
5. Fit the side bar tube ( remember the big leg goes to front ) use ( 4 ) 1/2 x 2" Hex Head Bolt and 1/2" flat and lock washers. Central brackets attached to the tube using ( 2 ) 3/8 x 1 1/4" Hex Head Bolt, with flat and lock washers. Leave loose.
6. Align the side bars and all brackets and make any final adjustment and tighten all bolts ( on both sides of vehicle ).
7. Check and re-tighten all bolts periodically.

### Assembly Diagram:



### Cleaning and care instructions:

Diseño:

Calidad:

Protect the finish with a non-abrasive automotive wax, (e.g. Pure Carnauba) on a regular basis. The use of any soap, polish, or wax that contains an abrasive is detrimental to the finish, as the compounds scratch the finish and cause corrosion.

Revised 09/03/09

G:\Usuarios\Diseno\Instructivos PDF\37s\37176 -I.Pdf