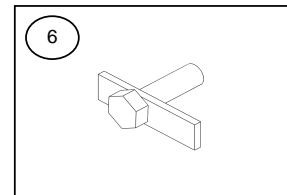
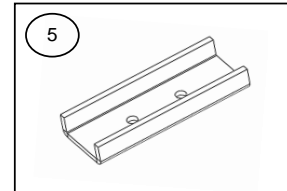
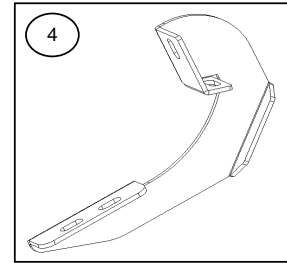


INSTALLATION INSTRUCTIONS
RB10 SIDE STEPS PART # 63412680T
2004-2014 FORD F-150 SUPER CREW

Do not attempt to install this product on any vehicle other than the one listed above!

PARTS LIST

ITEM	QTY.	PART #	DESCRIPTION	TORQUE
1	1	630080T	RB10 Side Steps passenger	-
2	1	630080T	RB10 Side Steps driver	-
3	1	BRK-6341265	Hardware brackets kit	-
4	6	6341264AA	Bracket	-
5	6	6300874AA	U bracket	-
6	2	371980EA	3/8" Bolt plate	30 Lb.ft
7	1	KTE-634126	Hardware kit	-
8	12	-	5/16 x 1" Hex head bolt black plated	11 Lb.ft
9	12	-	5/16" Flat washer black plated	-
10	12	-	5/16" Lock washer black plated	-
11	6	-	3/8" Clip nut black plated	30 Lb.ft
12	6	-	3/8 x 1 1/4" Hex head bolt zinc plated	30 Lb.ft
13	6	-	3/8 x 1" Carriage head bolt zinc plated	30 Lb.ft
14	12	-	3/8" Flat washer zinc plated	-
15	12	-	3/8" Lock washer zinc plated	-
16	8	-	3/8" Hex nut zinc plated	30 Lb.ft
17	2	-	3/8" Gasket vinyl	-



ASSEMBLY & INSTALLATION TOOLS REQUIRED:

1/2" Socket & 1/2" Wrench
 9/16" Socket & 9/16" Wrench
 Ratchet
 Extension.

Approximate installation time: 40 min.

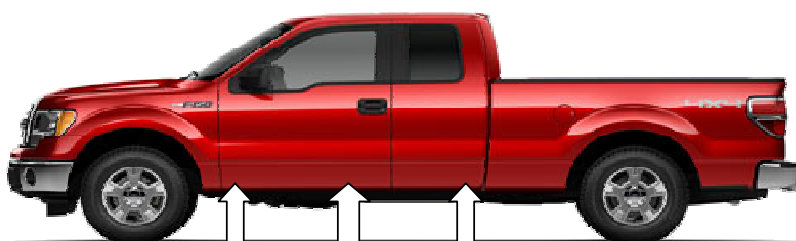
Read the assembly and installation instructions completely and verify that all of the parts listed are accounted for. If you have defective, missing or damaged parts or need assistance, please contact Go Rhino Products for fast, friendly customer service at: 1-888-427-4466 or email: warranty@gorhino.com

It is the customer's responsibility to protect the finish with a regular application of a nonabrasive polish compatible with the products finish. **NOTE: LOOK THE POSITION BEFORE INSTALLING THE BRACKETS.**

INSTALLATION

Step-1 Located holes inside the body of vehicle, front, middle, rear, **see picture 1 & 2**, place a 3/8" clip nut in upper part. Mount bracket and attach with: 3/8 x 1 1/4" hex head bolt, 3/8" flat and lock washers. In lower part attach with: 3/8 x 1" carriage head bolt, 3/8" flat and lock washers, 3/8" hex nut. **SEE ILLUSTRATION 1.** Leave loose. Repeat in opposite side.

PICTURE 1



Front bracket

Center bracket

Rear bracket

PICTURE 2

Image shown is for front, center and rear.

Place 3/8" clip nut.

Place 3/8 x 1" carriage head bolt.

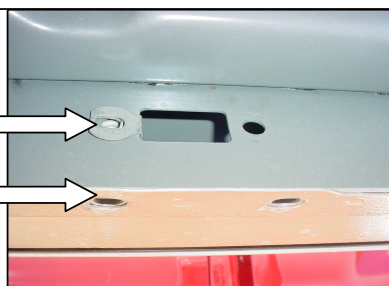
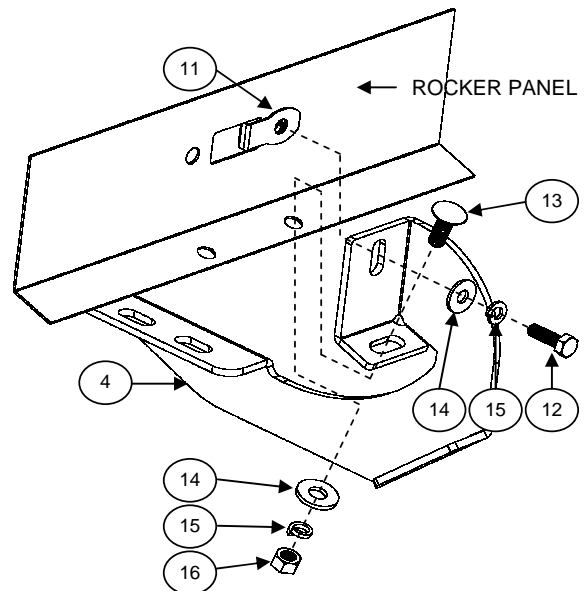


ILLUSTRATION 1



Use wrench, ratchet, hex socket 9/16".

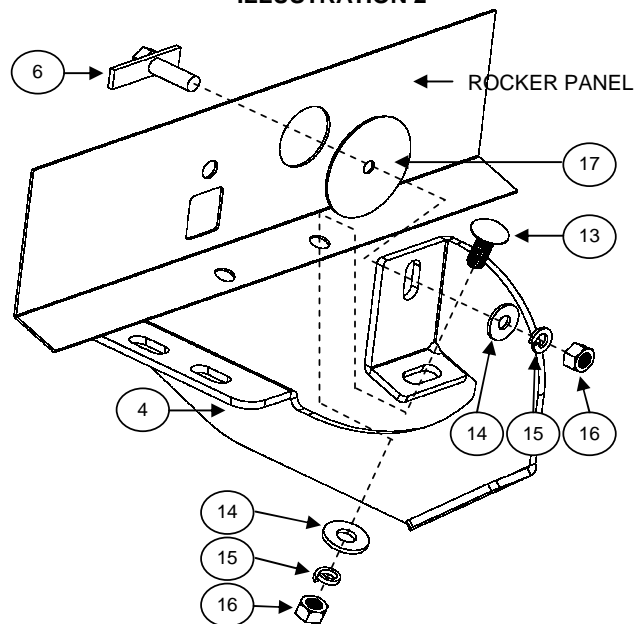
NOTA: Models 2009 - 2010 insert 3/8" bolt plate, gasket vinyl, middle part, attach with: 1 3/8" flat and lock washers, 3/8" hex nut. In lower part attach with: 3/8 x 1" carriage head bolt, 3/8" flat and lock washers, 3/8" hex nut. **SEE PICTURE 3 & ILLUSTRATION 2.** Leave loose. Repeat in opposite side.

PICTURE 3



In models 09 - 10 middle part. Passenger side shown.

ILLUSTRATION 2



9/16" Use wrench, ratchet, hex socket.

Step-2 Place the U bracket and attach with: 5/16" hex head bolt, 5/16" Flat and lock washer (black plated), by each bracket. **SEE ILLUSTRATION 3 & 4.** Repeat for the opposite side. Leave loose.

ILLUSTRATION 3

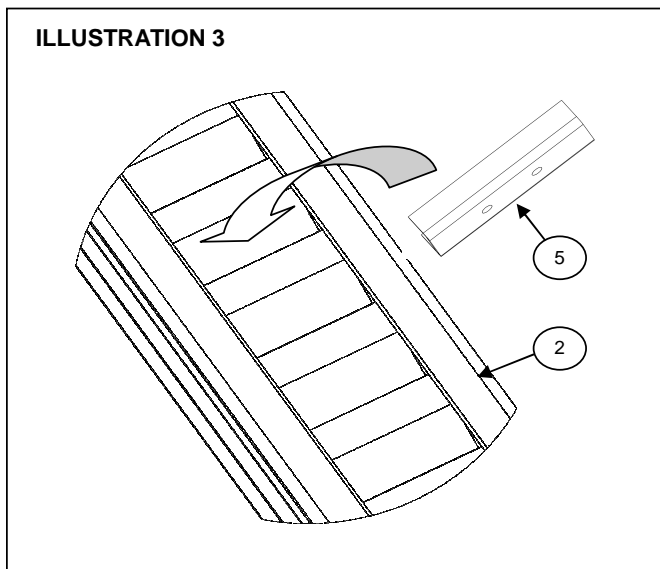
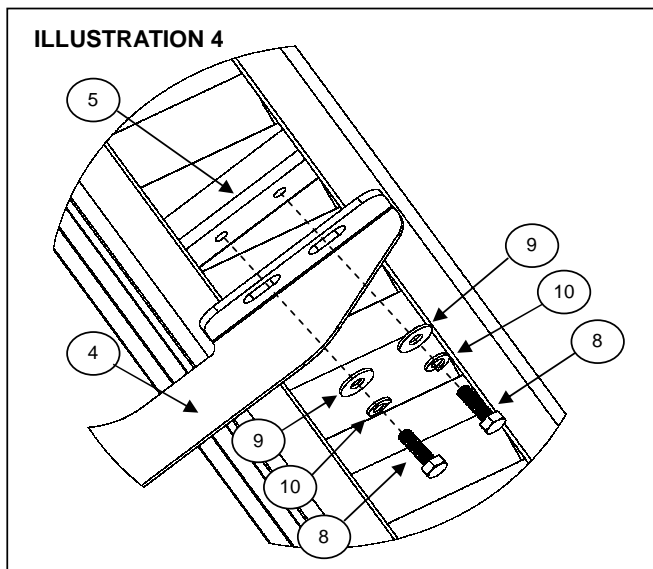


ILLUSTRATION 4



Use ratchet & 1/2" hex socket.

Step-3 Align the side bar and then tighten all bolts.

Step-4 Periodically check your product because it may need a re-tighten of bolts.

Step-5 Fill the warranty card and place it inside your vehicle's glove box.