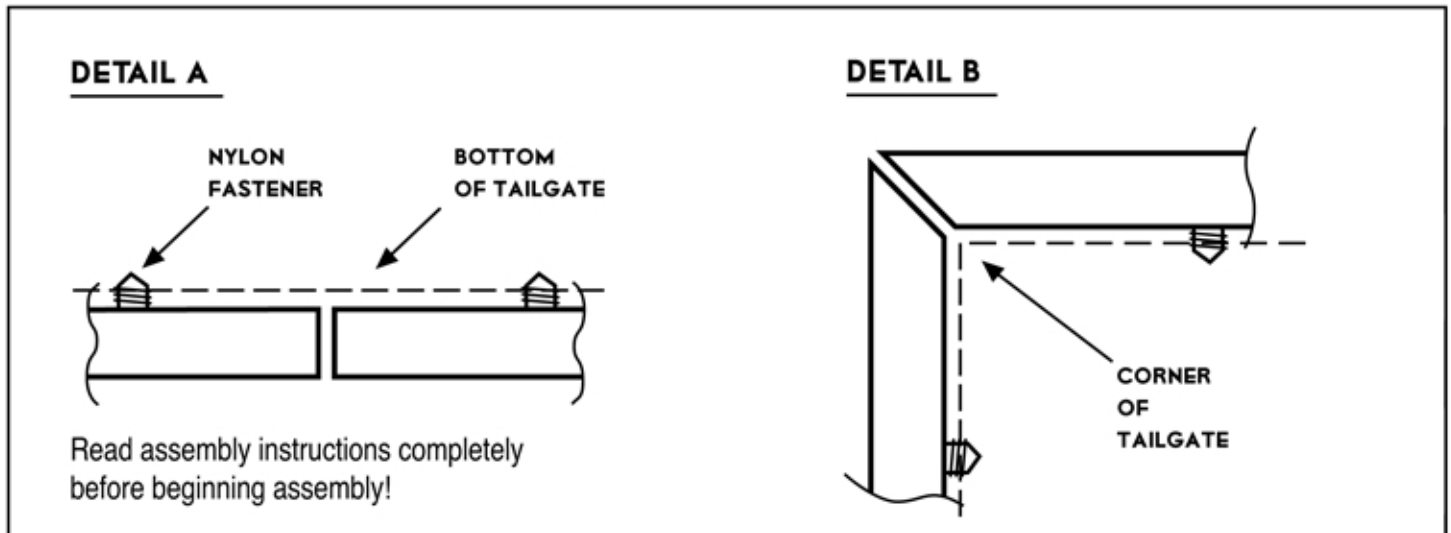


Tailgate and Liftgate Weatherstrip

INSTRUCTIONS



Tailgate Weatherstrip Assembly

1. Position the shortest piece of weatherstrip along the top of the tailgate, placing the nylon fasteners loosely into the corresponding holes. Weatherstrip should overhang equally on both ends. Do not force nylon fasteners into holes in tailgate.
2. Position the remaining weatherstrip around the sides and bottom of the tailgate by loosely placing the nylon fasteners in the corresponding holes. Note that there is a bulge in the weatherstrip at the middle bottom of the tailgate. Determine the amount of excess rubber (approx. 1") and remove it. Cut the weatherstrip squarely; it will be glued together. See Detail A.
3. Carefully remove the last nylon clip on each end of the short (top) weatherstrip. Trim the ends of each piece of weatherstrip at a 45° angle so that the corners meet together. Be sure to cut the ends short enough to ensure a snug seal on the tailgate, but not so short that too much stress is placed on the joints at the corners. See Detail B.
4. Remove the three pieces of weatherstrip from the tailgate and carefully glue them together with 3M weatherstrip adhesive (part #036). Clamp the glued ends together and allow to dry overnight before installation.
5. Apply 3M weatherstrip adhesive to all the surfaces of the weatherstrip that contact the tailgate. Position the weatherstrip on the tailgate and push the nylon fasteners into their corresponding holes in the tailgate so that the weatherstrip is locked into place. Allow the adhesive to dry overnight before closing the tailgate.

Liftgate Weatherstrip Assembly

1. This assembly is straightforward and requires only that the longest piece of weatherstrip be shortened to fit the liftgate. Glue weatherstrip in position as described above in step 5. There will be fair amount of excess rubber; keep it for future use.