

CORVETTE C6 X-PIPE

Exhaust System Installation

Corvette C6 X-Style Crossover Pipe (2005 & Up) PN 14163, 14127 & 14330

- Tools Needed:**
- 13 mm Socket
 - 15 mm Socket
 - Torque Wrench (20-100 ft.-lb.)
 - Safety Glasses



All Torca clamps should be tightened using a properly calibrated Torque Wrench. Using an air impact gun will damage the clamp and reduce its ability to effectively seal the joint. It may also cause the joint to separate thereby causing damage to your exhaust system and your vehicle.

For technical assistance call (800) 486-0999.

CAUTION: Prior to installation, be sure your vehicle is parked on a level surface, and the exhaust system is cool. For safety purposes and ease of installation, we urge you to take your vehicle to a qualified service center or muffler installer that employs the use of a lift.

INSTALLATION NOTE: Be sure to apply the provided anti-seize lubricant to all bolts, fasteners and clamps. A pouch is included with the hardware kit. Apply the supplied anti-seize lubricant to the threads ONLY of all TORCA band clamps. Failure to follow this procedure can cause the nuts to seize on clamps and potentially damage threads. **WARNING:** Be sure to thoroughly clean hands after use. Anti-seize lubricant will tarnish stainless steel parts.

Please be sure to review the attached instructions prior to beginning the installation process. If you have any questions about the enclosed parts, instructions or encounter a problem during installation, call CORSA Performance Technical Assistance at 800.486.0999. Do not attempt to make any modifications to parts as this will void your warranty.

Exhaust Removal:

1. Using a 15 mm socket or wrench, remove the four front flange nuts (See Fig. A). Be sure to save all nuts - these will be used to install your CORSA Performance X-pipe assembly.
2. Using a 13 mm socket or wrench, remove the H-Pipe hanger nuts (See Fig. B). Be sure to save all nuts - these will be used to install your CORSA Performance X-pipe assembly.
3. Using a 15 mm socket or wrench, loosen the clamps connecting the H-Pipe to the Rear Muffler Assembly (See Fig. C).
4. Slide the flanges off the bolts (See Fig. D).
5. Remove the H-Pipe assembly.



FIG. A



FIG. B

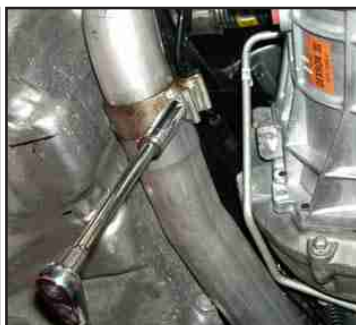


FIG. C



FIG. D

CORSA Performance X-PIPE KIT INSTALLATION:



1. Remove all X-pipe Kit components from the shipping carton.
NOTE: There are two 2.5-inch clamps supplied.
2. Locate the X-pipe assembly, 16CS4013 OR 16CS4112, (See Fig. E) and the two Torca clamps.
3. Snug fit the clamps onto the outlets of the X-pipe assembly. The clamps should be pointing towards the center of the vehicle.
4. Using a 13 mm socket or wrench, install the X-Pipe hanger nuts. Tighten to factory specifications (See Fig. F).
5. Slide the flanges over the flange bolts and snug tighten the nuts using a 15 mm socket (See Fig. G). The hanger bracket on the X-pipe assembly should be pointing up.
6. Tighten the flange nuts to factory specifications.
7. Insert each axle pipe into the corresponding X-Pipe outlet (See Fig. H) and tighten both clamps to **45 ft.-lb.** **NOTE: The CORSA Performance X-pipe assembly is designed to work with any CORSA Performance C6 Sport Exhaust System, but is not guaranteed to fit with every other brand of exhaust system.**
8. It is **strongly suggested** that all clamps and fasteners be checked and re-tightened (if necessary) after a road test. Make sure the system has cooled prior to touching any exhaust components.



FIG. E

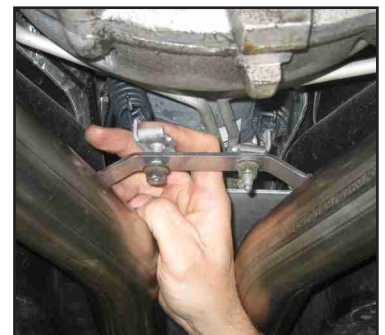


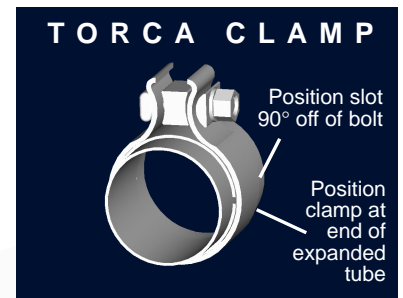
FIG. F



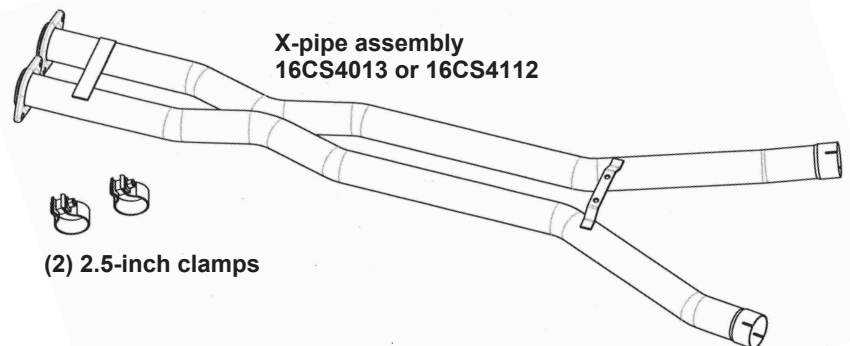
FIG. G



FIG. H



NOTE: Immediately following the installation of your CORSA exhaust system, you may experience a trace of smoke after initial start-up. DO NOT be alarmed. The smoke is caused by the burning of a small amount of forming oil residue used in the manufacturing process.



For technical assistance, call (800)486-0999.