

2007-2018 Jeep Wrangler JKU  
2018+ Jeep Wrangler JLU



## IMPORTANT! WARRANTY AND INSTALLATION INSTRUCTIONS

*Please Forward All Information to End Consumer*

Be sure to review the enclosed instructions prior to beginning the installation process. If you have any questions about the enclosed parts or instructions, or if you encounter a problem during installation:

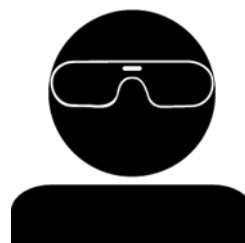
**CALL TECHNICAL SUPPORT:** 440.891.0999 or 800.486.0999

**TO ACTIVATE YOUR WARRANTY, GO TO:**  
**[corsaperformance.com/warranty](http://corsaperformance.com/warranty)**

**COLOR INSTRUCTIONS ARE AVAILABLE BY PART NUMBER ON:**  
**[corsaperformance.com](http://corsaperformance.com)**



**NEVER work on a hot exhaust system.**  
Allow time for the vehicle to cool.



**Always wear eye protection**  
when working under a vehicle.

**INSTALL DIFFICULTY**



### Recommended Tools & Supplies

- 13mm Socket & Ratchet or Wrench
- 15mm Socket & Ratchet or Wrench
- 18mm Socket & Ratchet or Wrench
- Ratchet Extension
- Grommet Pulling Pliers or Similar
- Torque Wrench

**Please take time to read and understand these installation instructions.**

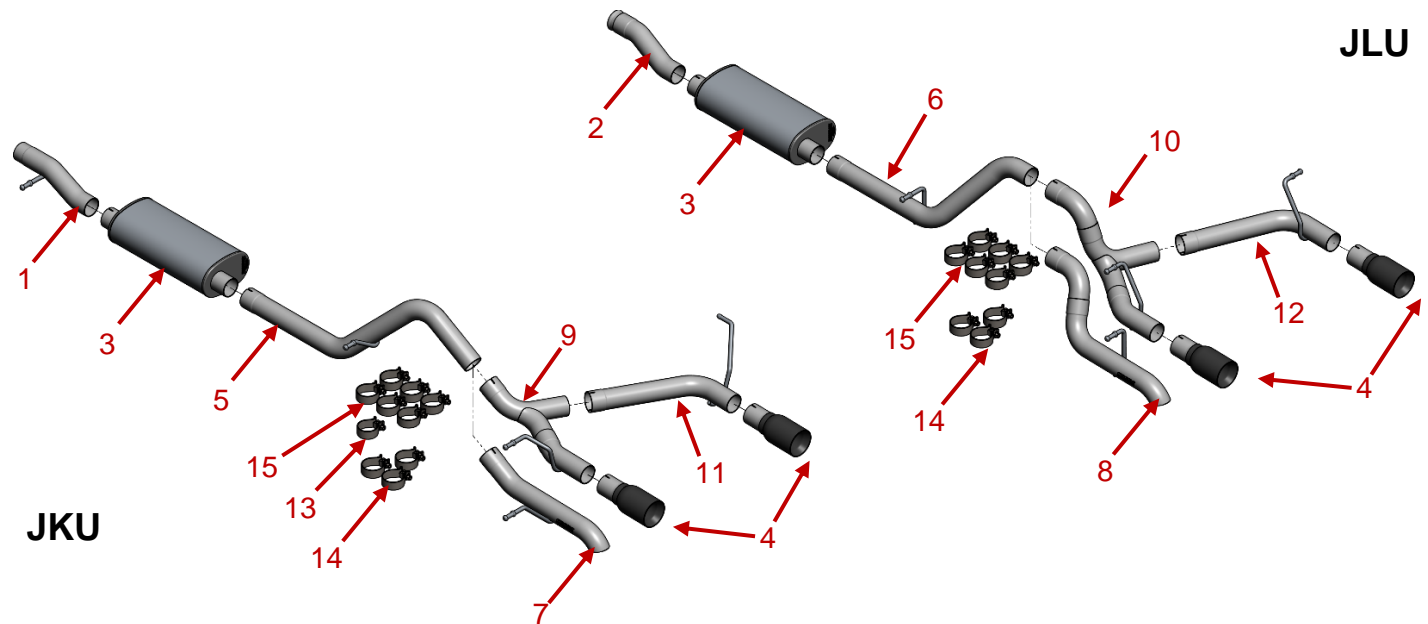
CORSA recommends that the installation of this system be performed by a qualified service center or professional installer who has the necessary equipment, tools, and experienced personnel. However, if you decide to perform this installation yourself, the use of an additional person may be required.

**WARNING:** Never work on a hot exhaust system. Allow time for the vehicle to cool. Always wear eye protection when working under a vehicle.

This warranty does not extend to damaged or defect in the finish of a product or to any product, that in the opinion of CORSA Performance, has been misused, damaged by accident or negligence, altered, or modified in any way, faulty installation or installed contrary to CORSA installation instructions, or repaired by an unauthorized service facility. Full warranty available on [www.corsaperformance.com](http://www.corsaperformance.com)

**Please confirm that all parts are present according to the bill of materials before beginning the installation.**

If something is missing, call CORSA Tech Support at 440.891.099 or Toll Free: 1.800.486.0999



**Bill of Materials**

1. JKU Head Pipe (28JK4019)	2. JLU Head Pipe (28JL4040)
3. JKU/JLU Muffler (28JK2001)	4. Tip Assembly (28JK3002 - Polish) (28JK3002BLK - Black)
5. JKU Mid-Pipe (28JK4020)	6. JLU Mid-Pipe (28JL4041)
7. JKU Single Tail Pipe (28JK4021)	8. JLU Single Tail Pipe (28JL4023)
9. JKU Wye and Driver Tail Pipe (28JK4009)	10. JLU Wye and Driver Tail Pipe (28JL4029)
11. JKU Passenger Tail Pipe (28JK4026)	12. JLU Passenger Tail Pipe (28JL4043)
13. JKU only 2½in Clamp (20EX7000)	14. Single Tail Pipe Hardware Pack (20MU7020)
15. Dual Tip Hardware Kit (17CH7008)	

**Removal Instructions**

**Factory Exhaust**



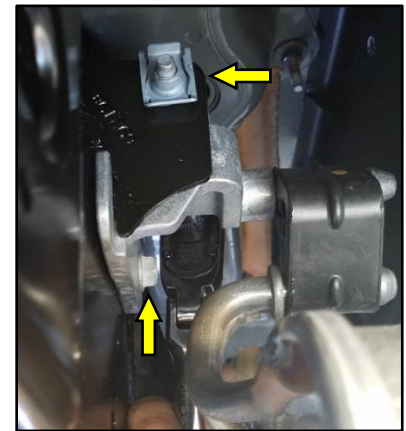
1. Locate the Clamp on the inlet of the Factory Muffler. With a 15mm Socket & Ratchet or Wrench, loosen the clamp. (JLU Shown)



**JKU Driver's Side**



**JKU Passenger Side**



**JLU (Driver side shown)**

2. For JKU only: Locate the Rear Hanger Grommets for the Muffler. Using Grommet Pulling Pliers or similar, remove Factory Hangers from the Grommets.

For JLU only: Locate the Rear Hanger Mounts for the Muffler. Using a 13mm Socket & Ratchet or Wrench, remove 2 Bolts from each Mount. Keep the 4 Bolts in a safe place. They will be reinstalled on Installation Step 1.

The use of a soap and water solution will aid in the removal of the hangers from the factory grommets.

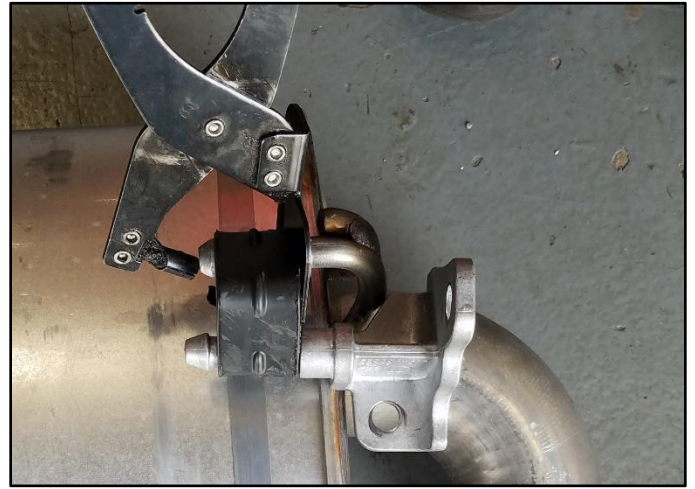
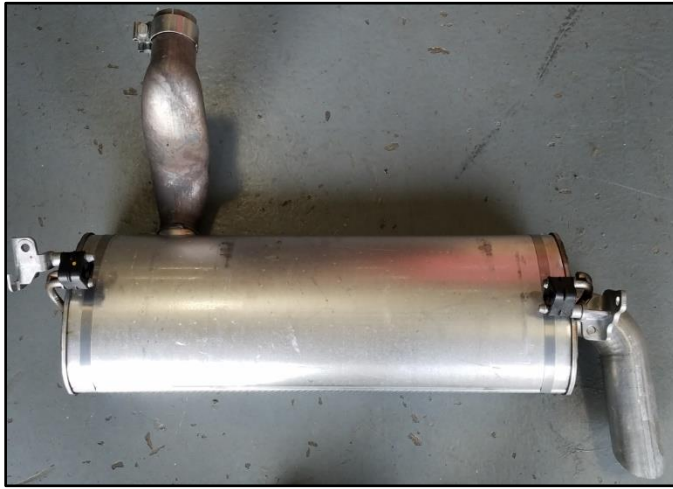
3. Remove the Factory Muffler from the vehicle by wiggling and twisting it back and forth while pulling.

**Continued on Next Page...**



Removal Instructions

Factory Exhaust



- 4. For JLU only:** After removing the Factory Muffler from the vehicle, use Grommet Pulling Pliers or similar, to remove the Factory Hanger Mounts from the Muffler. Note the location and orientation of the mounts. Keep the Mounts in a safe place. They will be reinstalled on the same side during Installation Step 1.

The use of a soap and water solution will aid in the removal of the hangers from the factory grommets.



- 5. For JLU only:** Use a 13mm Socket & Ratchet or Wrench to remove the Nuts that attach the Transfer Case Skid Plate to the Fuel Tank Skid Plate. Keep the Nuts in a safe place. They will be reinstalled on Installation Step 17.
- 6.** Using a 18mm Socket & Ratchet or Wrench, remove the 4 Bolts holding the Transfer Case Skid Plate to the Vehicle Frame. Keep the Bolts in a safe place. They will be reinstalled on Installation Step 17.

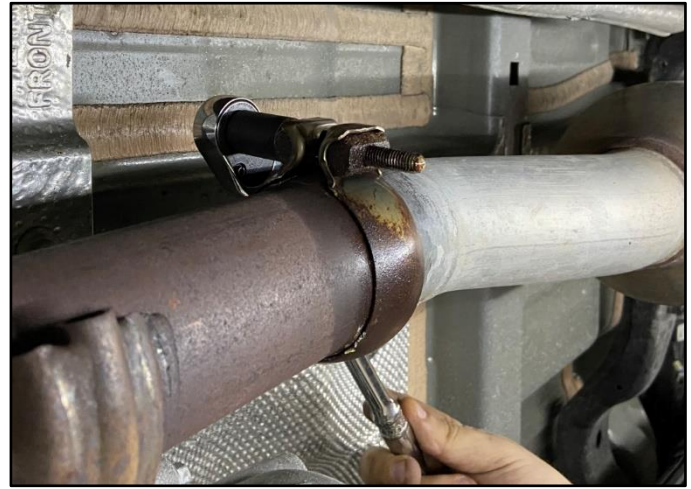
Continued on Next Page...

**Removal Instructions**

**Factory Exhaust**



**JKU**



**JLU**

- 7.** Using a 15mm Socket & Ratchet or Wrench (JKU) or 13mm Socket & Ratchet or Wrench (JLU), loosen the Clamp on the Head Pipe. The JLU will reuse the Stock Spherical Clamp, so keep it in a safe place to be reinstalled on Installation Step 2. The JKU will use the supplied 2.50in Clamp.



**JKU Front Hanger**



**JKU Mid Hanger**



**JLU Mid Hanger**

- 8.** Using Grommet Pulling Pliers or similar, remove the Mid Exhaust Hanger from the Grommet. Rest the Factory Exhaust Pipe on the Axle Tube.

**For JKU only:** Using Grommet Pulling Pliers or similar, remove the Front Exhaust Hanger from the Grommet.

The use of a soap and water solution will aid in the removal of the hangers from the factory grommets.

- 9.** Next, pull back on the Factory Exhaust to release the connection on the Head Pipe. Then, remove the exhaust by pushing the Factory Exhaust forward and out from under the Vehicle. A second person may be needed to assist with this step.

**This concludes the removal of the factory exhaust.**



**WARNING!!**

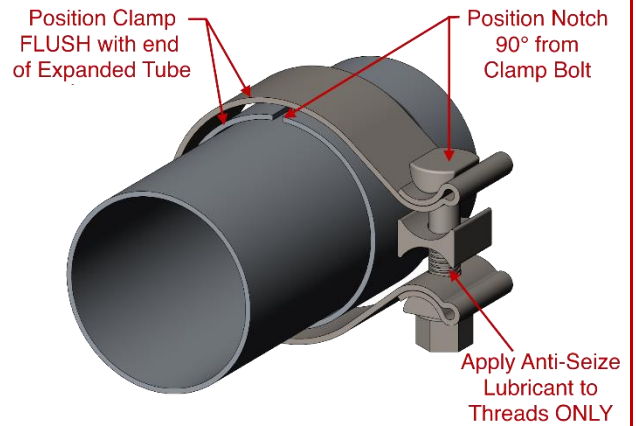
**DO NOT SKIP THIS STEP**

**WARNING!!**

Apply the supplied Anti-Seize Lubricant to **ONLY** the threads of the clamps and flange bolts. Failure to follow this procedure can cause nuts to seize on clamps and potentially destroy the threads.

After applying anti-seize lubricant, be sure to thoroughly clean your hands. The Anti-Seize lubricant will tarnish stainless steel.

All clamps should be tightened using a properly calibrated Torque Wrench. Using an impact gun will damage the clamp and reduce its ability to effectively seal the joint. It may also cause the joint to separate, thereby causing damage to your exhaust system and to your vehicle.



**PRO TIP**

Before installing, make a line 1 $\frac{5}{16}$ in from the end of non-expanded side of the pipes and muffler. This is CORSA's nominal overlap for 2 $\frac{3}{4}$ in tubing. This will help during final adjustment. Do not be alarmed if the overlap varies slightly when the installation is complete. Any differences are caused by manufacturing variances from vehicle to vehicle and exhaust to exhaust.

**Install Instruction**

**CORSA Exhaust**



**Driver Side**



**Passenger Side**

- 1. For JKU only:** Insert the Hanger on the Head Pipe into the Grommet.
- 2. For JLU only:** Locate the Rear Hanger Mounts from Removal Step 4. Reinstall them on the same side as the Factory Exhaust, with the Hooks facing the Rear of the Vehicle. Tighten the 4 bolts to Factory torque values.

**Continued on Next Page...**

Install Instruction

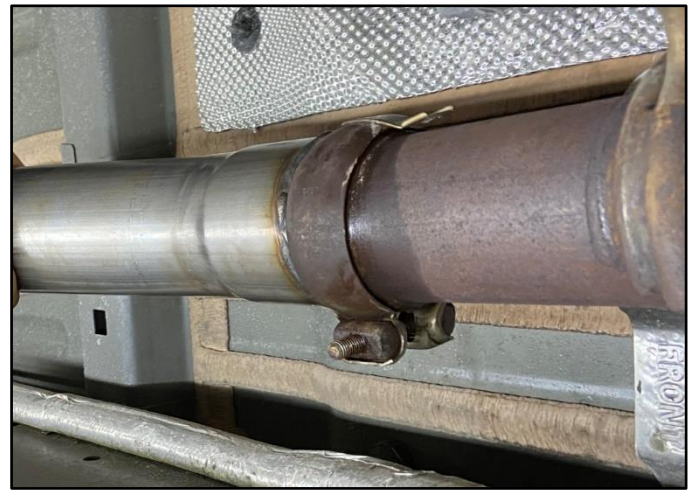
CORSA Exhaust



- 3. For JLU only:** Locate Spherical Clamp on the Factory Head Pipe. Using a small Flat Head Screwdriver, pry the Locking Tab up to release the Spherical Clamp from the Factory Head Pipe. Install the Spherical Clamp onto the Head Pipe. Rotate the Spherical Clamp so the Locking Feature is pointing forward.



JKU



JLU

- 4. For JKU only:** Slide the supplied 2.5in Clamp over the Head Pipe and then slide the Head Pipe over the Factory Exhaust Pipe. **SNUG** the Clamp with a 15mm Socket & Ratchet or Wrench.
- 5. For JLU only:** Slide the Head Pipe with pre-installed Factory Spherical Clamp over the Spherical Connection on the Factory Exhaust Pipe. **SNUG** the Clamp with a 13mm Socket & Ratchet or Wrench.

DO NOT FULLY TIGHTEN at this time!

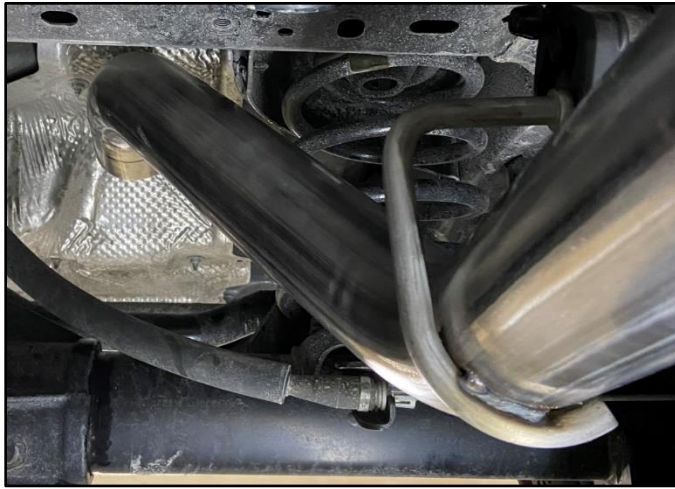
DO NOT FULLY TIGHTEN at this time!

Continued on Next Page...



Install Instruction

CORSA Exhaust



- 6. Insert the Hanger on the Mid-Pipe in the Grommet. Allow the front of the Mid-Pipe to rotate down so the back rests on the Heat Shield or Cabin floor. (JLU shown)
- 7. Slide a supplied 2.75in Clamp over the Head Pipe. Then slide the Expanded side of the Muffler over the Head Pipe. A second person may be needed to hold Muffler in place.



- 8. Slide a supplied 2.75in Clamp over the Mid-Pipe. Then rotate the CORSA Mid-Pipe up, while rotating the Muffler & Head Pipe down. Slide the Expanded end of the Mid-Pipe over the outlet of the Muffler. Then lift all three parts until the exhaust is close to level.
- 9. While the Mid-Pipe/Muffler/Head Pipe are being held close to level, **SNUG** both Clamps with a 15mm Socket & Ratchet or Wrench. (JKU shown) A second person may be needed to hold Exhaust in place while the other snugs the clamps.

DO NOT FULLY TIGHTEN at this time!

For Kits 21121 (JKU No Tips) and 21123 (JLU No Tips), follow Steps 9-11.  
For Kits 21122 (JKU Dual Tips) and 21124 (JLU Dual Tips), skip ahead to Step 12

Continued on Next Page...



**Install Instruction**

**CORSA Exhaust**

(For Steps 9 - 11, a JLU is shown. The JKU follows the same procedure)



- 10.** Insert the Hanger on the Tail Pipe in the Grommet. **11.** Slide a supplied 2.75in Clamp over the Tail Pipe. Next rotate the Tail Pipe up and the Mid-Pipe down and slide the Expanded end of the Tail Pipe over the Mid-Pipe. **SNUG** the Clamp with a 15mm Socket & Ratchet or Wrench.

DO NOT FULLY TIGHTEN at this time!



- 12.** Verify your Tail Pipe is positioned similar to the photo.

Starting at the front, verify the Hanger sections in the Grommets and the Muffler are close to level and all connections are straight. Finally, starting at the Front Clamp, using a torque wrench, tighten all clamps to 45ft-lbs. A second person may be needed to hold the components in the correct position while the clamps are being torqued. Skip ahead to Step 17 for the final instructions before starting the vehicle.

**Continued on Next Page...**

Install Instruction

CORSA Exhaust

(For Steps 12-14, a JLU is shown. The JKU follows the same procedure)



- 13.** Insert the Hanger on the Driver side Tail and Wye Pipe in the Grommet. Next, slide a supplied 2.75in Clamp over the Tail Pipe. Then, rotate the Tail Pipe up and the Mid-Pipe down while sliding the Expanded end of the Tail Pipe over the Mid-Pipe. **SNUG** the Clamp with a 15mm Socket & Ratchet or Wrench.

DO NOT FULLY TIGHTEN at this time!

- 14.** Insert the Hanger on the Passenger side Tail Pipe in the Grommet. Then, slide a supplied 2.75in Clamp over the Passenger side Tail Pipe. Next, slide the Expanded end of the Tail Pipe over the Wye Pipe. **SNUG** the Clamp with a 15mm Socket & Ratchet or Wrench.

DO NOT FULLY TIGHTEN at this time!

- 15.** Starting at the front, verify the Hanger sections in the Grommets and the Muffler are close to level, and all connections are straight. Finally, starting at the Front Clamp, using a torque wrench, tighten all clamps to 45ft-lbs. A second person may be needed to hold the components in the correct position while the clamps are being torqued.

Continued on Next Page...



## Install Instruction

## CORSA Exhaust

(For Steps 15-16, a JKU is shown. The JLU follows the same procedure)



16. Slide a supplied 2.75in Clamp over each Tip assembly and then slide the Expanded ends of the Tip assemblies over the Tail Pipes, with the CORSA etch on top. **SNUG** the Clamps with a 15mm Socket & Ratchet or Wrench.
17. Verify the Tips are straight across and even. There should be approximately  $\frac{3}{4}$ in between the top of the Tips and the Bumper. To adjust, you may need to loosen the Tail Pipe Clamps from Steps 12 and 13. Once satisfied with the alignment, use a torque wrench, tighten the clamps on the Tail Pipes first (if needed) and then the Tips to 45ft-lbs. A second person may be needed to hold the components in the correct position while the clamps are being torqued.
18. After the exhaust is properly torqued, reinstall the Transfer Case Skid Plate by reversing Removal Steps 5 and 6. Begin by starting all the bolts and lightly snug them. For the JLU, start with the 4 bolts, then the 2 nuts. Lastly, using a Torque Wrench, tighten the hardware to Factory torque settings.

**This concludes the installation of the CORSA Exhaust.**

### Before Road Testing

1. Start engine, leaving the transmission in park and/or securing the parking brake.
2. Make sure to look and listen for any unusual noises. Repair problems if needed.
3. Immediately following the installation of your exhaust system, you may experience a trace of smoke after initial start-up. Do not be alarmed. The smoke is caused by the burning of a small amount of forming oil residue used in the manufacturing process.
4. It is strongly suggested that the alignment of the components and all clamps be checked and re-torqued after road testing the vehicle and once the system has fully cooled.
5. During cold weather start-ups, you may experience an exhaust sound that is deeper and louder in tone than usual. This is temporary and will diminish to normal levels once your engine has reached its normal operating temperature.