

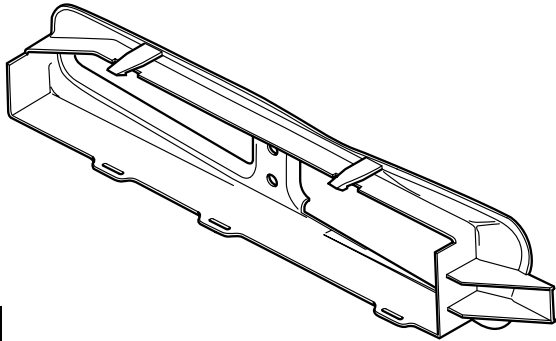


MOPAR®

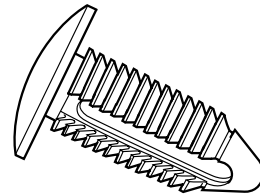
2005⇒JEEP GRAND CHEROKEE*

Cabin Air Filter

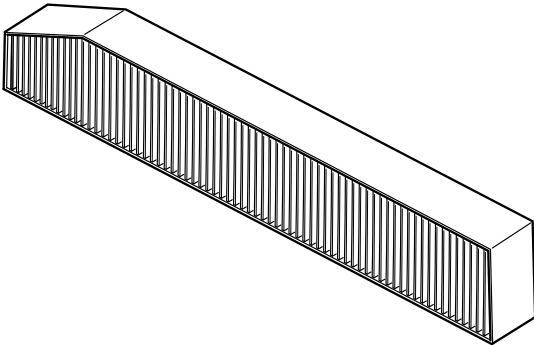
*This kit can be used on 1999-2004 model year also, slightly different installation.



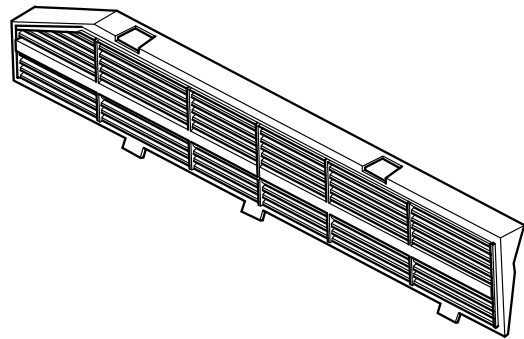
A



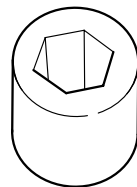
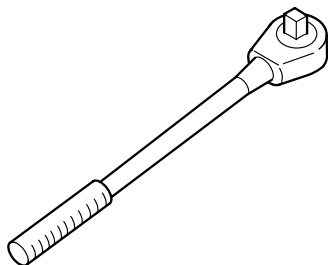
B 2x



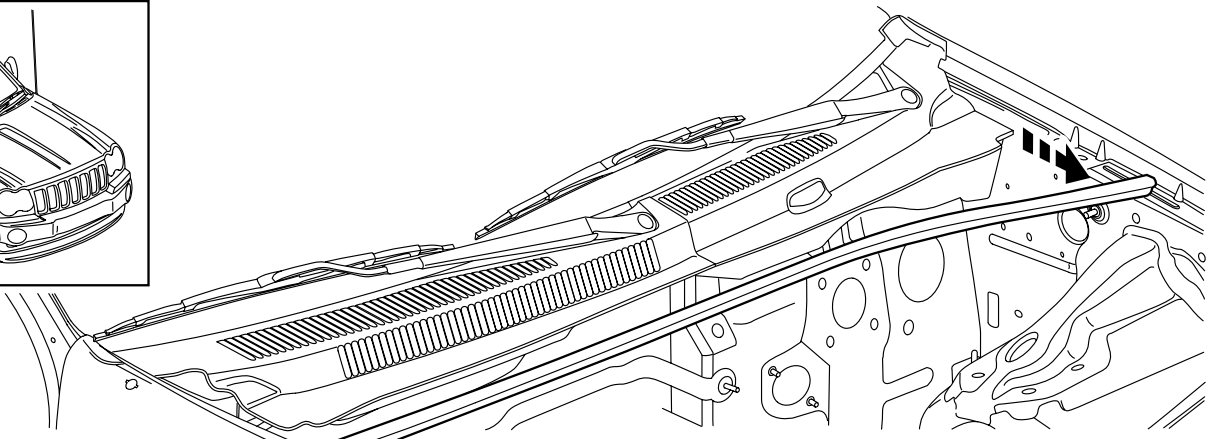
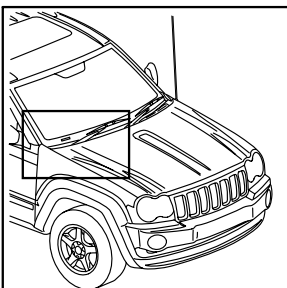
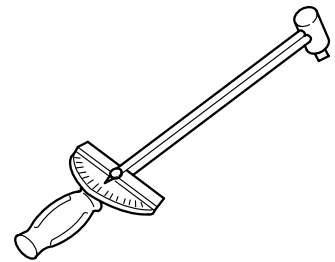
C



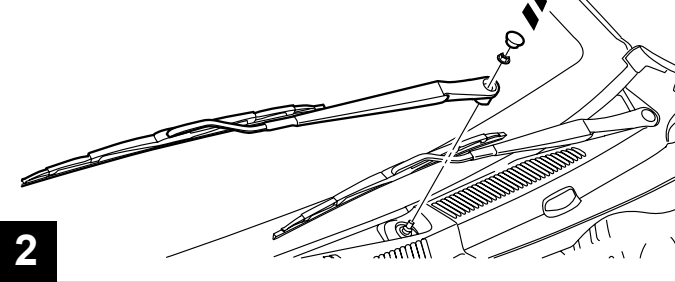
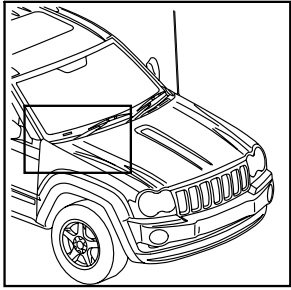
D



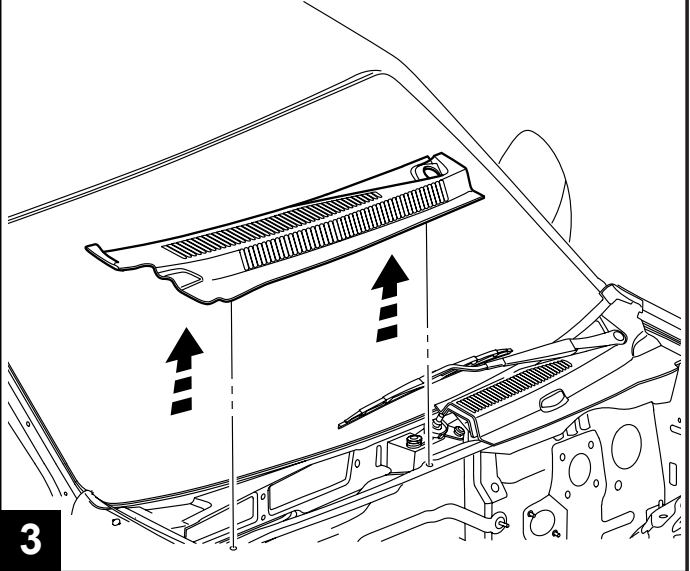
13mm



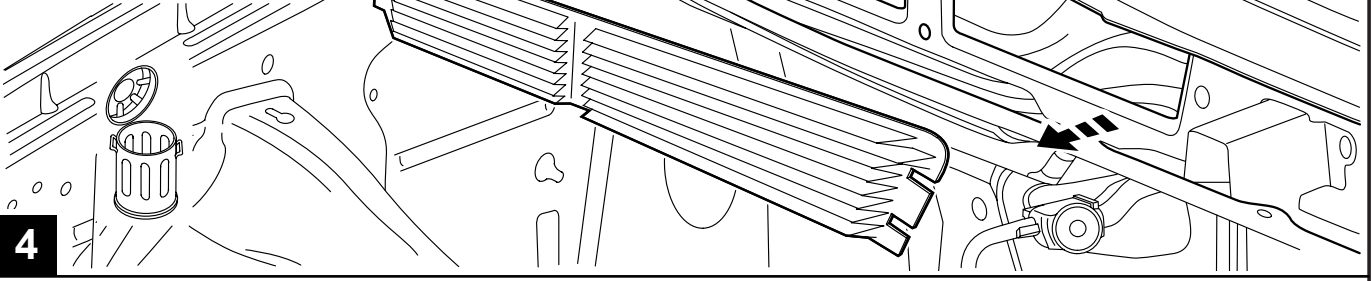
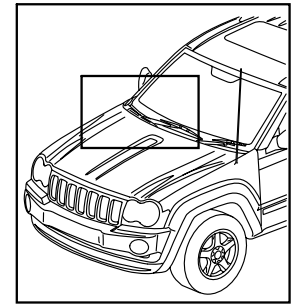
1



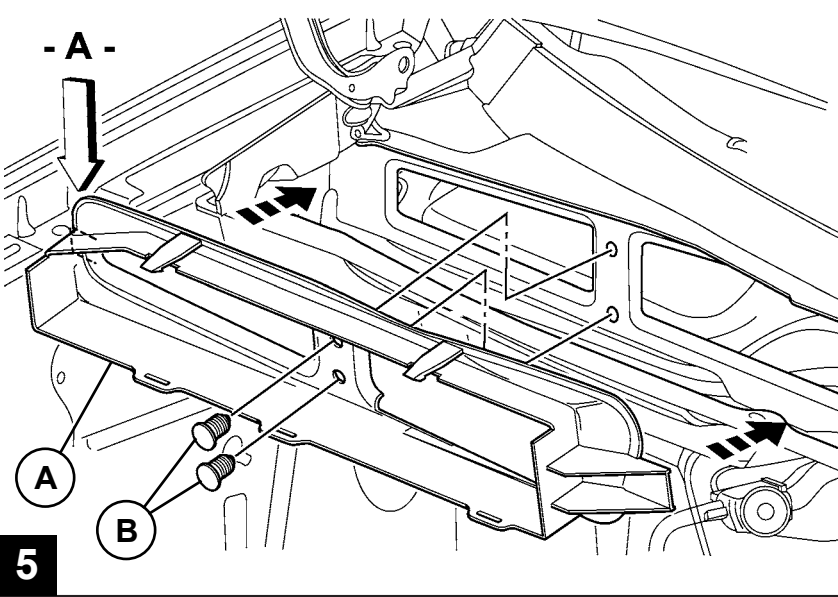
2



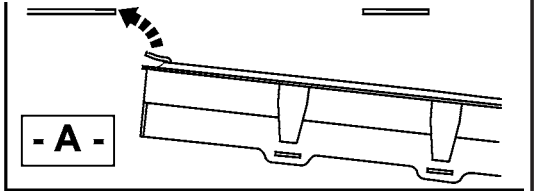
3



4



5



1- Gently rotate the part into position, inboard side first.
 2- Position part flush to sheet metal, such that it is slid to the right (holes will not align with the sheet metal).
 3- Slide part gently to the outboard side to allow clip to be positioned behind the sheet metal (View A).
 Now the holes in the housing will be aligned with the sheet metal.
CAUTION: Do not force the housing into position which would result in fracturing the clip.

