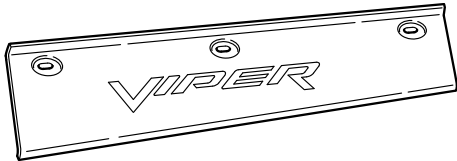


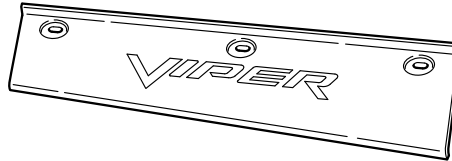
MOPAR®

# DODGE VIPER COUPE/CONVERTIBLE

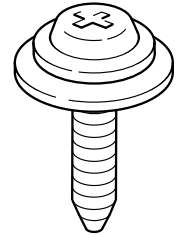
## Scuff Plates



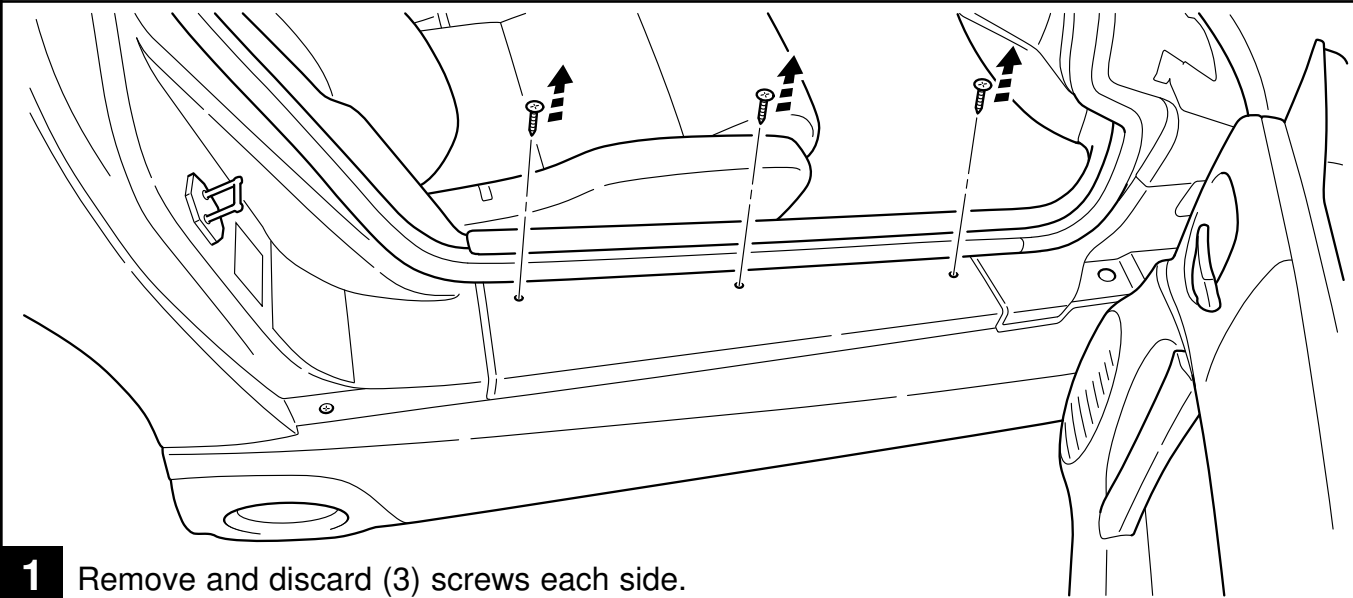
**A** **R**



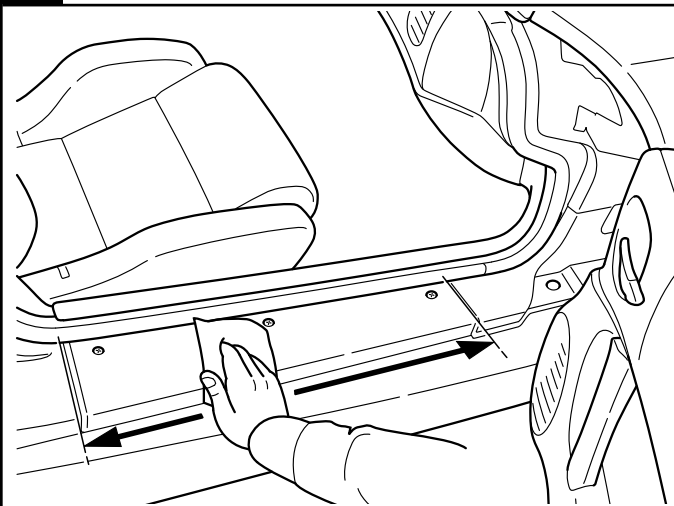
**B** **L**



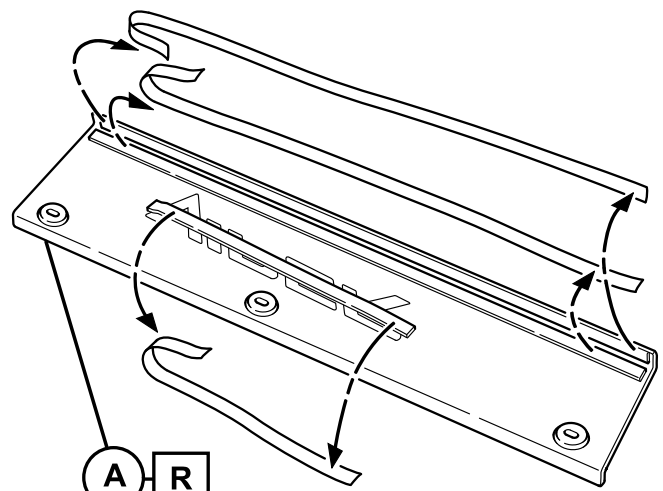
**C** **6x**



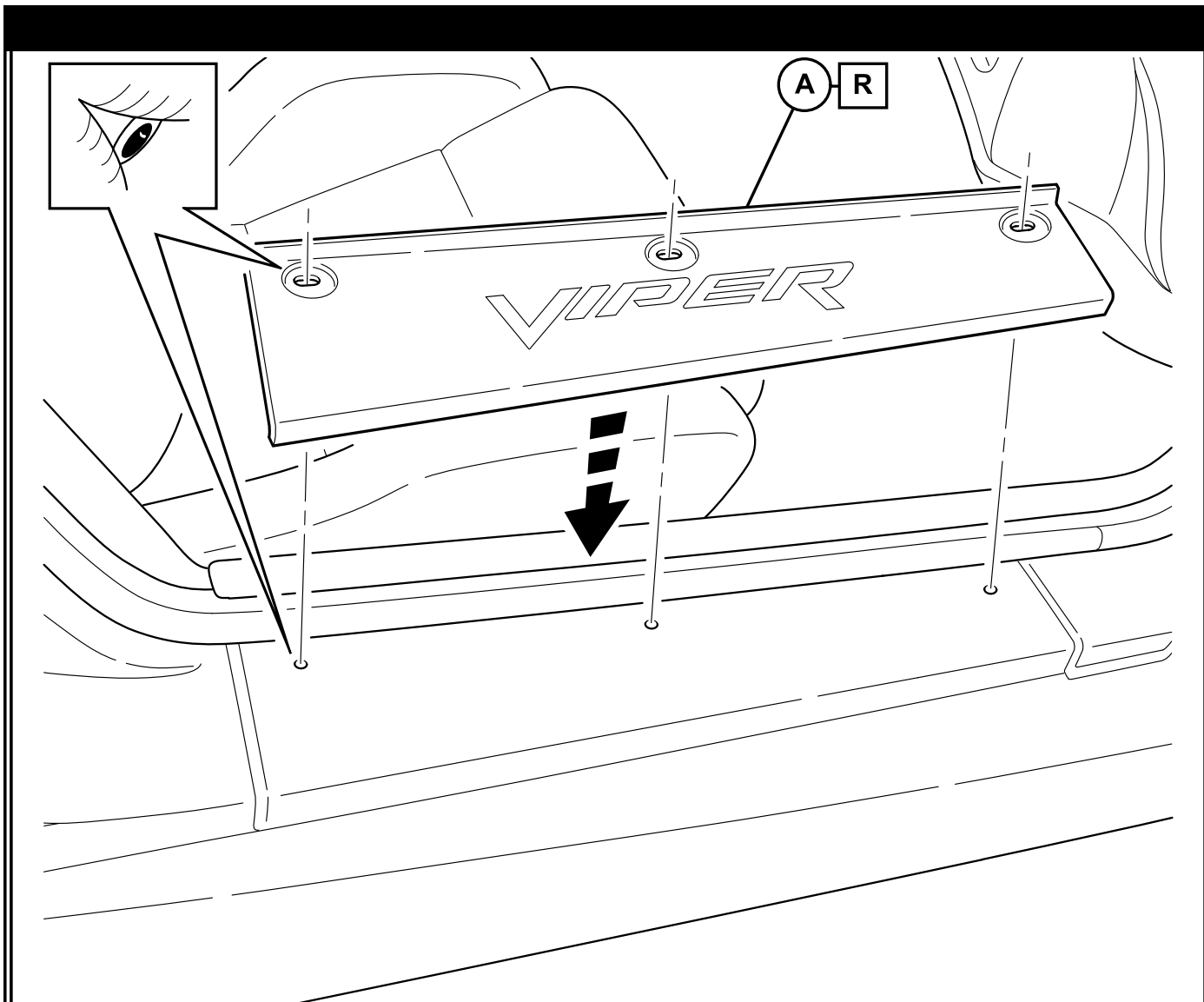
**1** Remove and discard (3) screws each side.



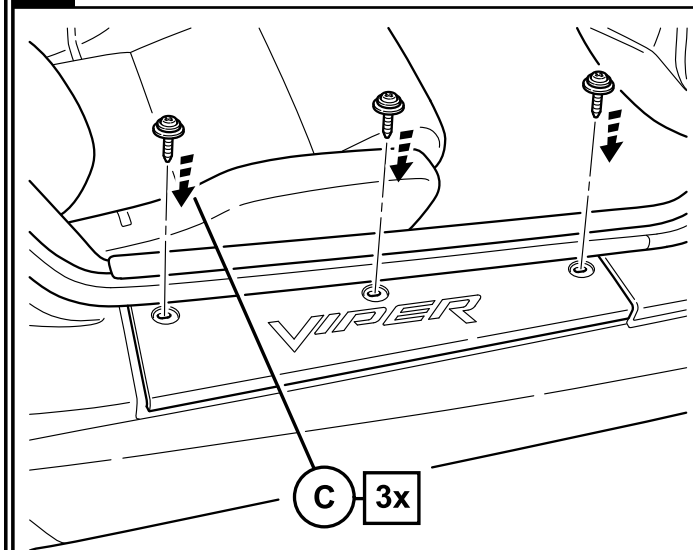
**2** Clean left and right door sills, wait 5 minutes.



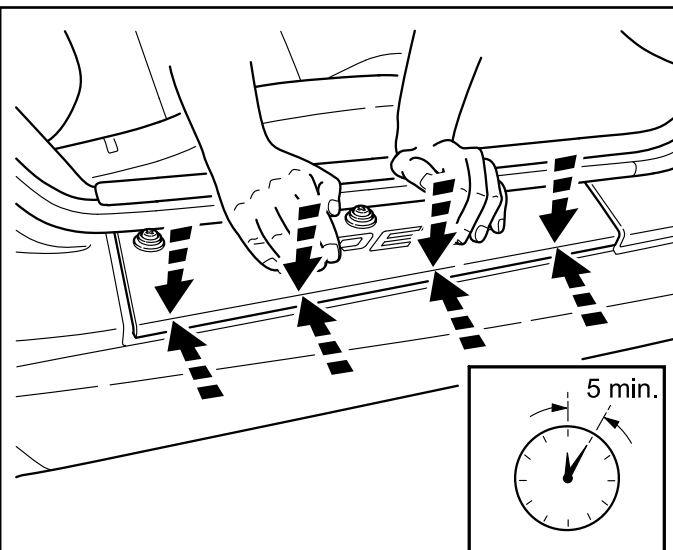
**3** Remove backing from tape strips.



**4** Position right scuff plate (Item A-R) onto right door sill. Align holes in scuff plate to those in the door sill.



**5** Install supplied screws.



**6** Apply pressure to engage tape.