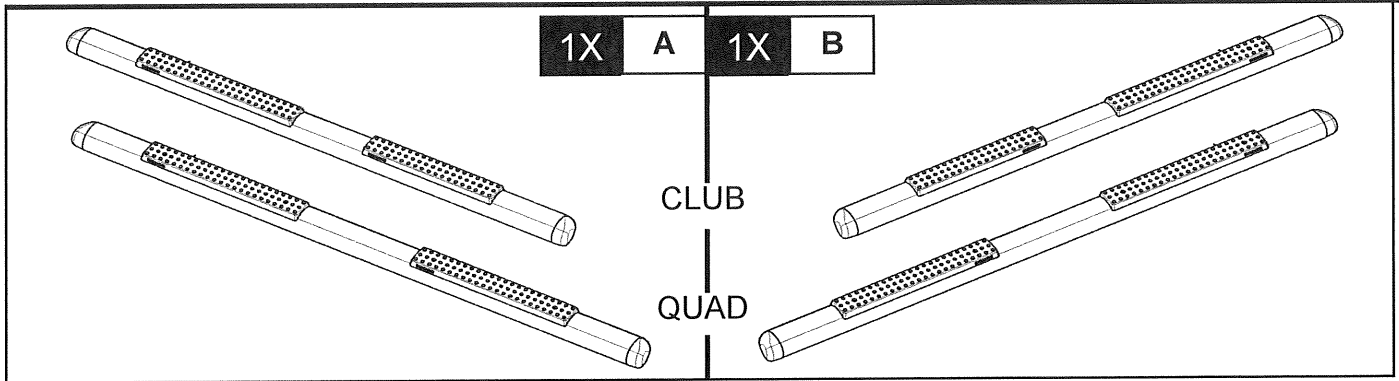


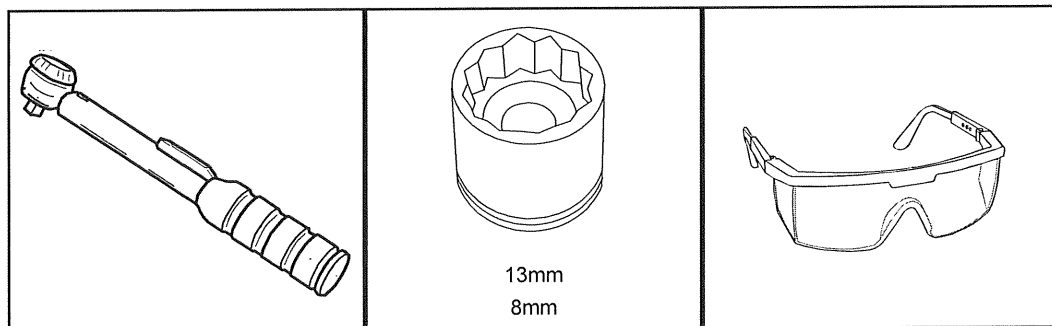


DODGE DAKOTA TUBE STEP
 ESCALON LATERAL PARA DODGE DAKOTA
 MARCHEPIED POUR LE DODGE DAKOTA



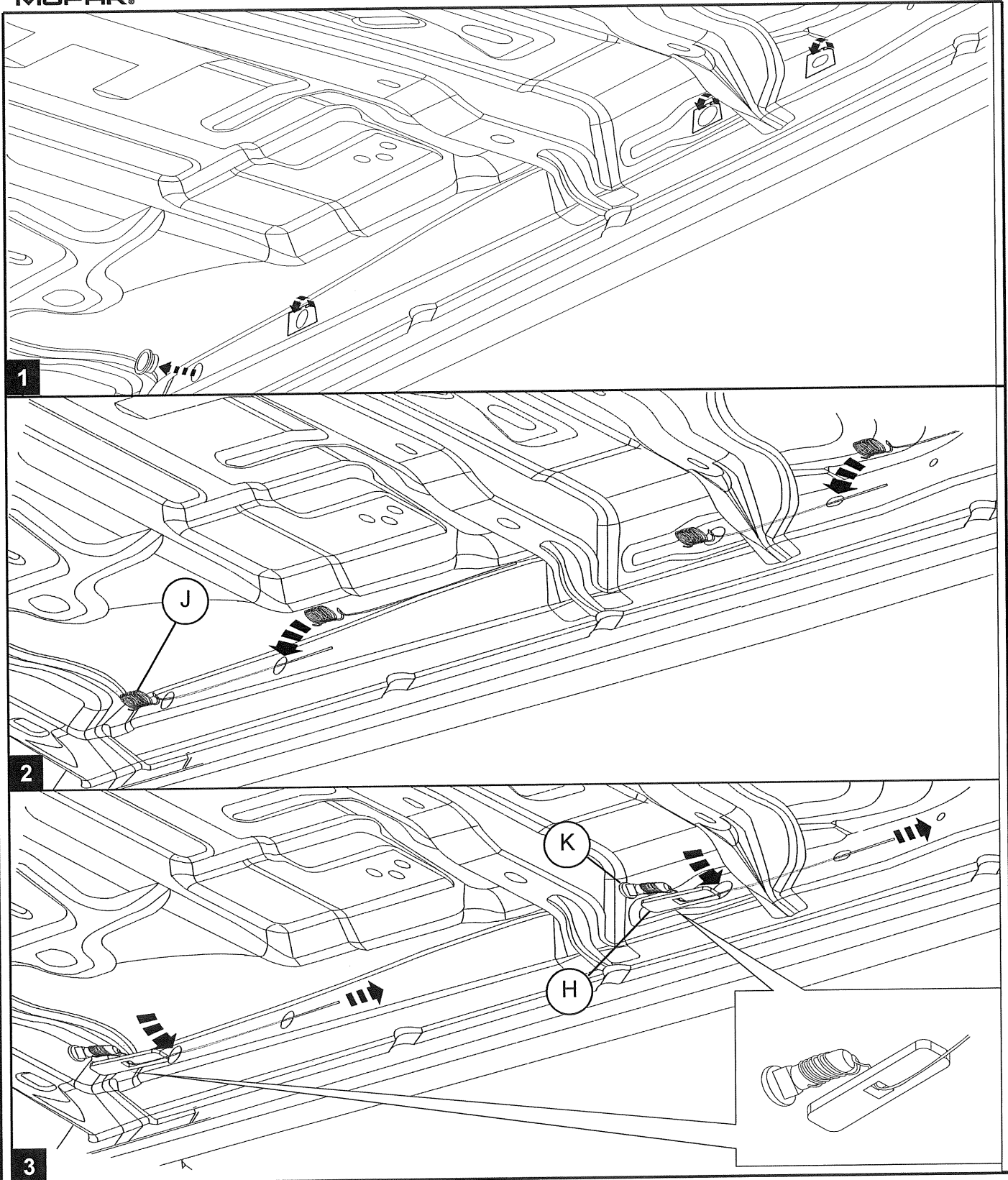
1X	C	1X	D	1X	E	1X	F	4X	G	4X	H
DRIVER FRONT		PASSENGER FRONT		DRIVER REAR		PASSENGER REAR		CLAMP BRACKET		BACKING PLATE	

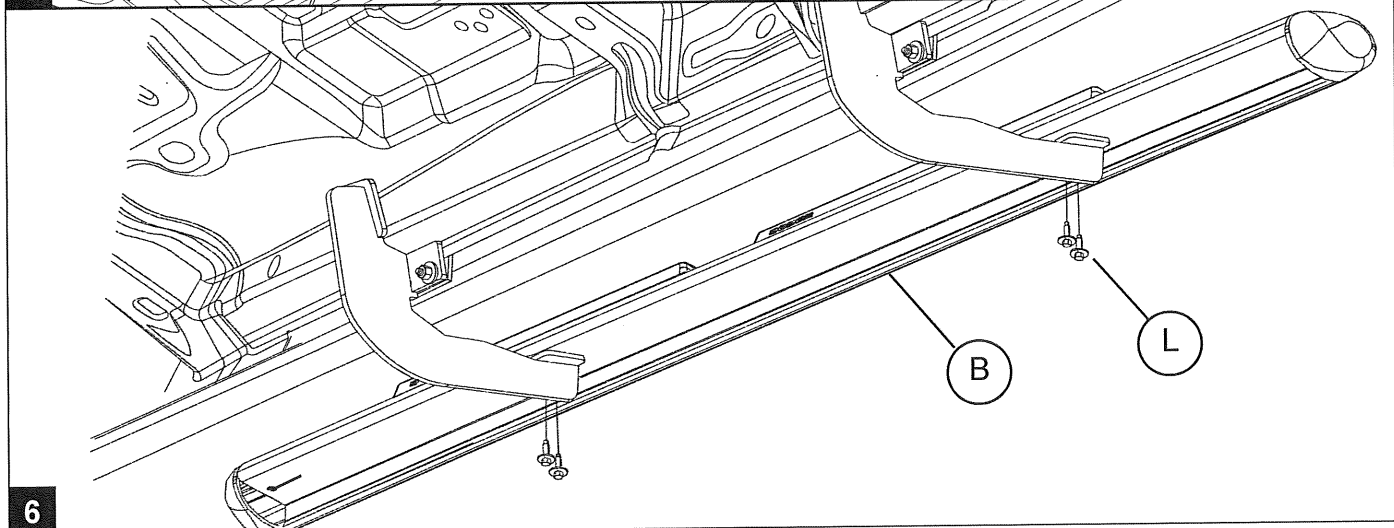
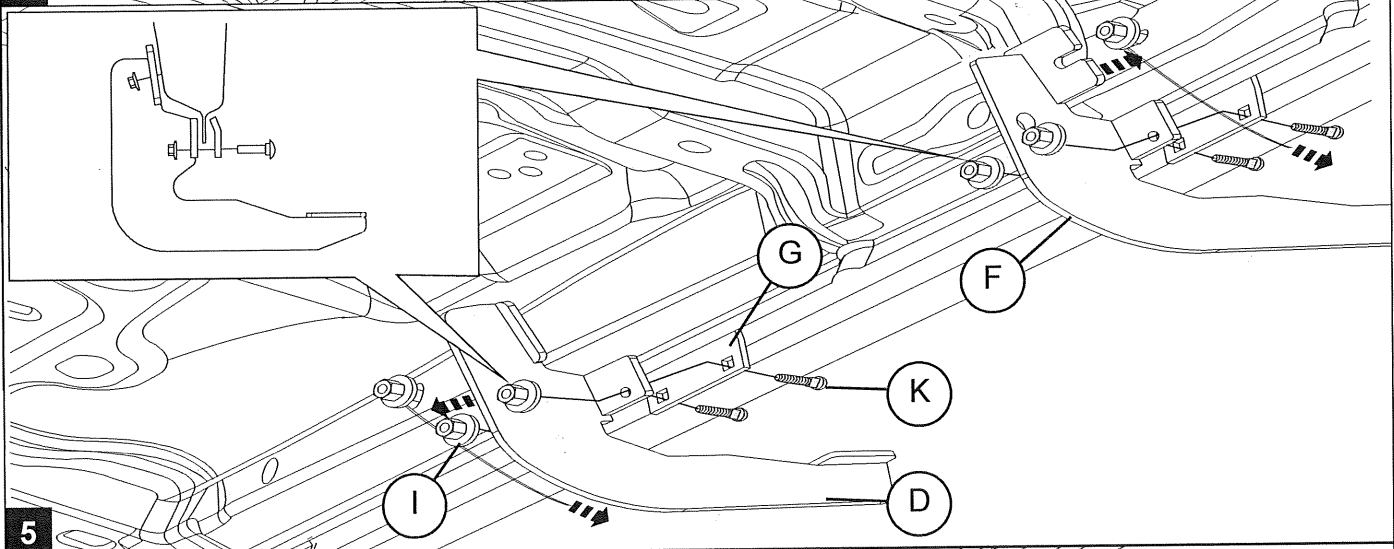
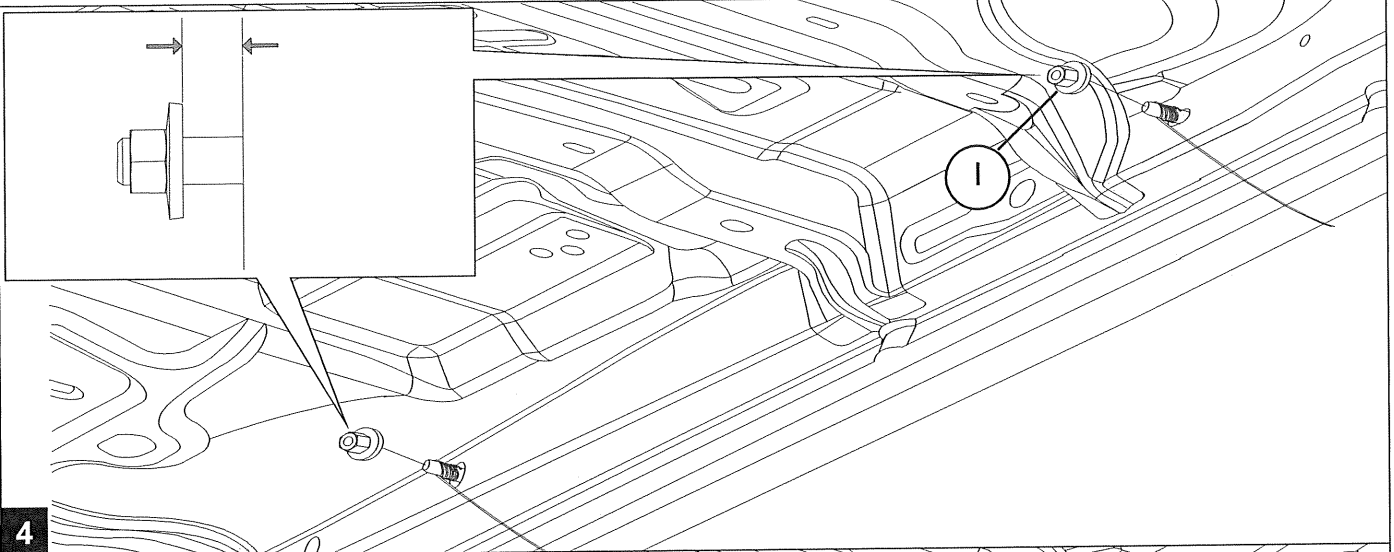
12X	I	4X	J	12X	K	8X	L
M8 FLANGE NUT		M8 HELICAL FEED WIRE		M8 X 30mm CARRIAGE HEAD BOLT		M6 BOLT	





PASSENGER SIDE SHOWN
EI LADO del PASAJERO MOSTRADO
LE PASSAGER PREND PARTI MONTRE







MOPAR.

15 ft-lbs
(20 Nm)

5 ft-lbs
(7 Nm)

7

