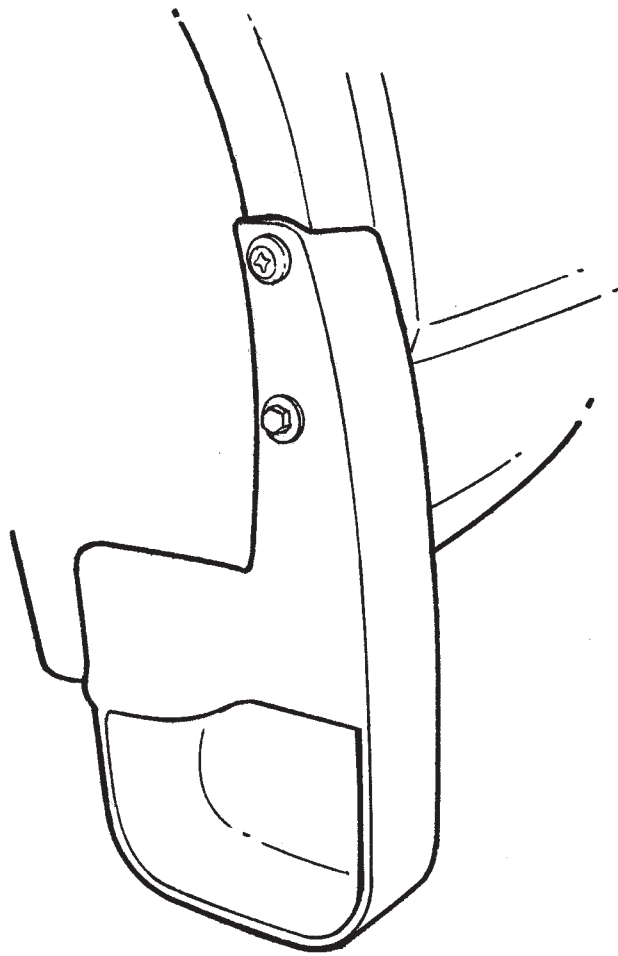
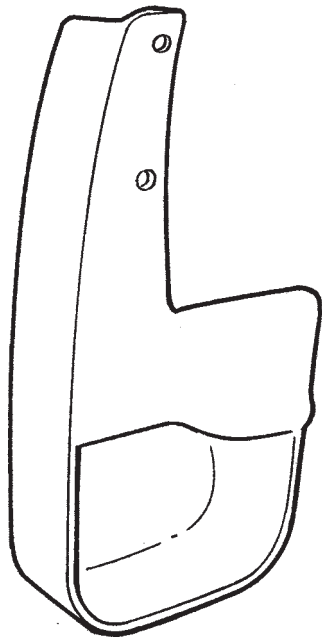




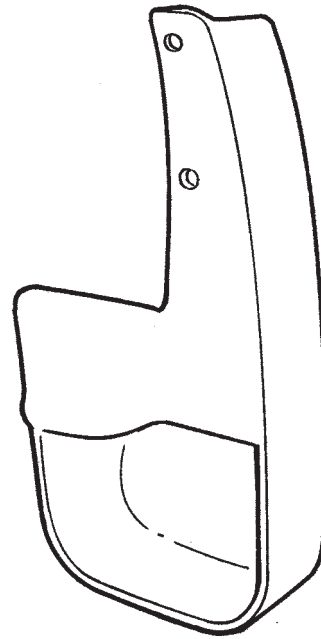
# Dodge Caliber

## Rear Splashguards

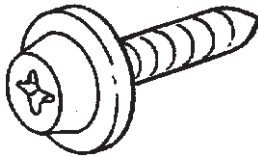




**A**



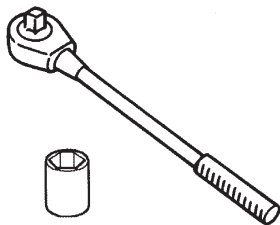
**B**



**C** 4x



**D** 2x



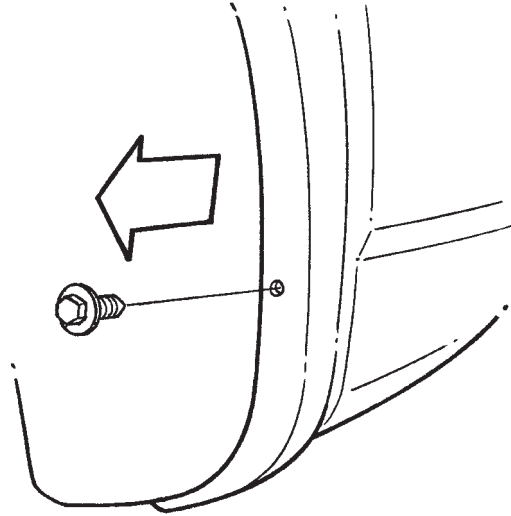
7mm  
Socket/Driver



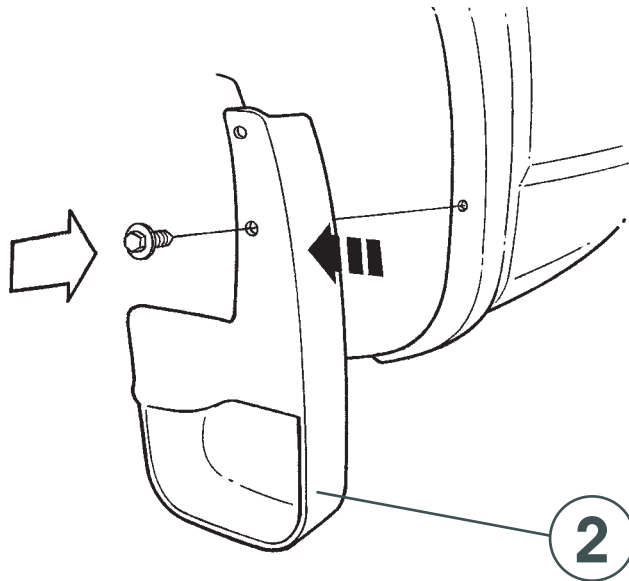
1/4" (6.3mm)  
3/32" (2.5mm)



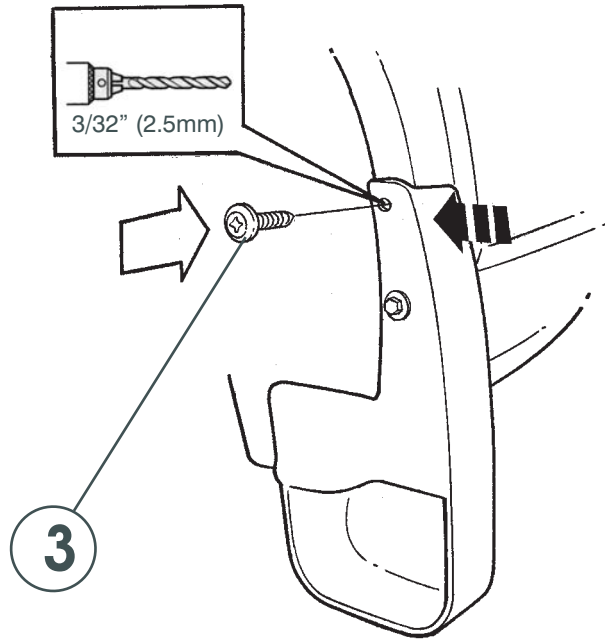
#2 Phillips  
Screw Driver



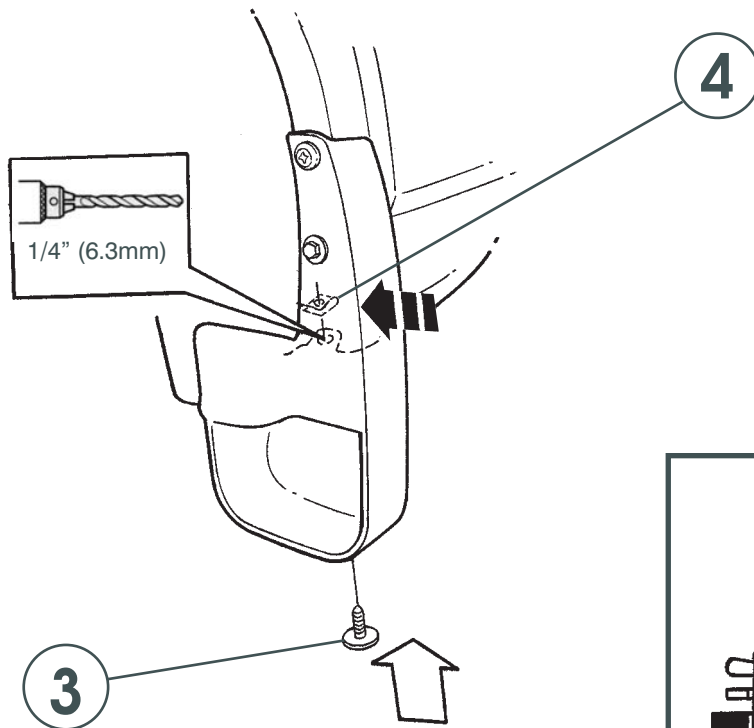
1



2



3



4

