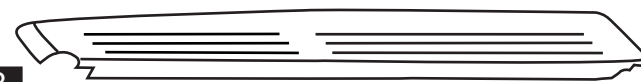


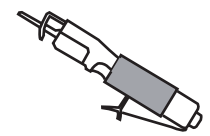
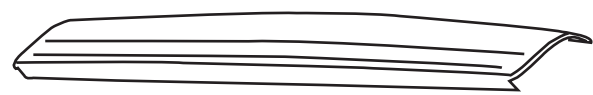
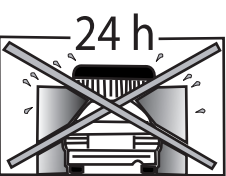


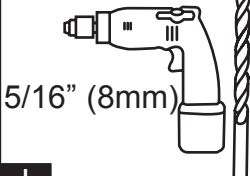
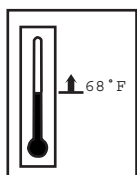
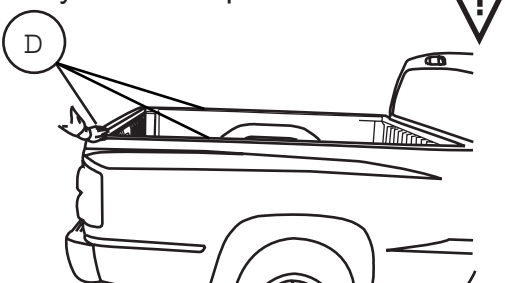
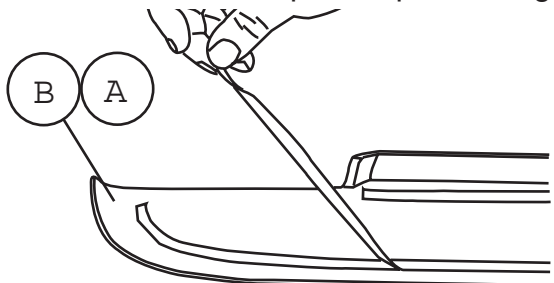
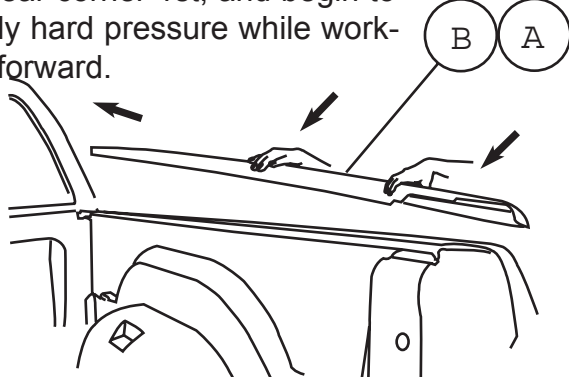
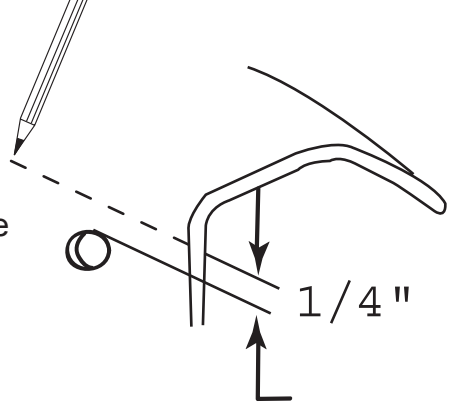
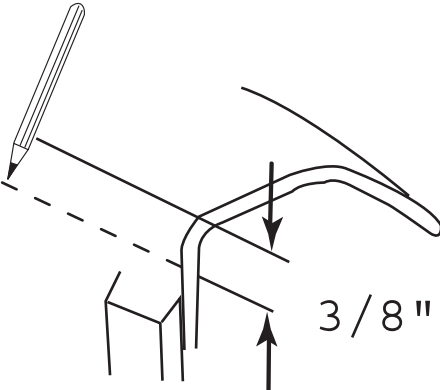
 <p>A</p>	<table border="1"> <tr> <td>82209285</td> <td>82209286</td> <td>82209988</td> <td>82209989</td> <td>82209990</td> </tr> <tr> <td>A - 1</td> <td>A - 1</td> <td>A - 1</td> <td>A - 1</td> <td>C - 1</td> </tr> <tr> <td>B - 1</td> <td>B - 1</td> <td>B - 1</td> <td>B - 1</td> <td>D - 1</td> </tr> <tr> <td>C - 1</td> <td>C - 1</td> <td>D - 2</td> <td>D - 2</td> <td></td> </tr> <tr> <td>D - 3</td> <td>D - 3</td> <td></td> <td></td> <td></td> </tr> <tr> <td>E - 4</td> <td>E - 4</td> <td></td> <td></td> <td></td> </tr> </table>					82209285	82209286	82209988	82209989	82209990	A - 1	A - 1	A - 1	A - 1	C - 1	B - 1	B - 1	B - 1	B - 1	D - 1	C - 1	C - 1	D - 2	D - 2		D - 3	D - 3				E - 4	E - 4			
82209285	82209286	82209988	82209989	82209990																															
A - 1	A - 1	A - 1	A - 1	C - 1																															
B - 1	B - 1	B - 1	B - 1	D - 1																															
C - 1	C - 1	D - 2	D - 2																																
D - 3	D - 3																																		
E - 4	E - 4																																		
 <p>B</p>	 <p>D</p>	 <p>E</p>	 <p>F</p>																																
 <p>C</p>	<p>1</p> <p>CAUTION</p> <p>Note: Test fit parts for proper fit prior to removing tape backing. If required, modify bedliner tailgate cover (steps 7a-12a,7b-10b)</p> 			<p>G T30</p>  <p>H</p>  <p>I</p>  <p>5/16" (8mm)</p>																															
<p>2</p> <p>Clean with soap & water followed by alcohol wipes.</p>  	<p>3</p> <p>Note: Remove both strips of tape backing.</p> 																																		
<p>4</p> <p>Fit rear corner 1st, and begin to apply hard pressure while working forward.</p> 	<p>5a</p> <p>Note: For Dakota Only</p> <p>Using grease pencil, mark a line 1/4" above the holes in tailgate liner.</p> 																																		
<p>5b</p> <p>Using grease pencil, mark a line 3/8" below top of tailgate liner.</p>  <p>Note: for Ram Only</p>																																			

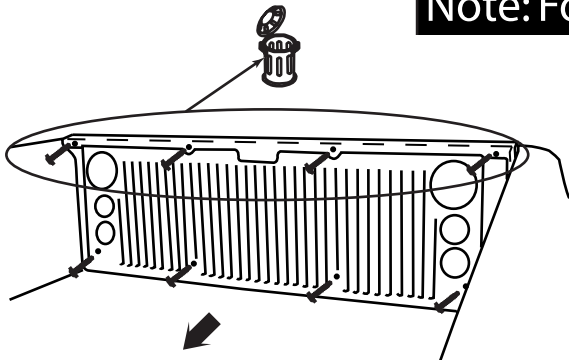
Subject to alteration without notice
 Veränderungen vorbehalten
 Reservadas modificaciones técnicas
 Assujetti à des modifications sans préavis

Expert Fitment Required
 Fachmännische Einrichtung notwendig
 Montaje sólo por el concesionario
 Montage par spécialiste nécessaire

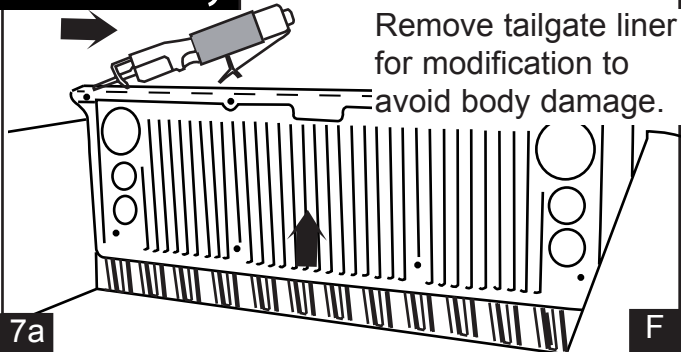
K6859727
 July-2005



Note: For Dakota Only



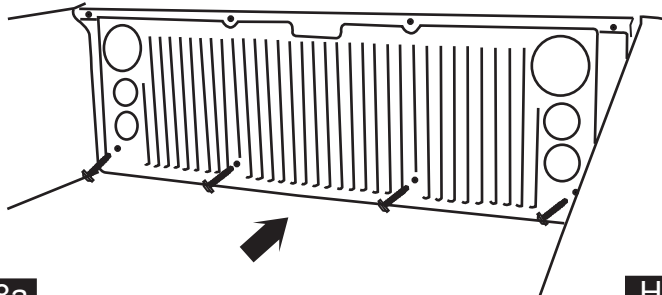
6a



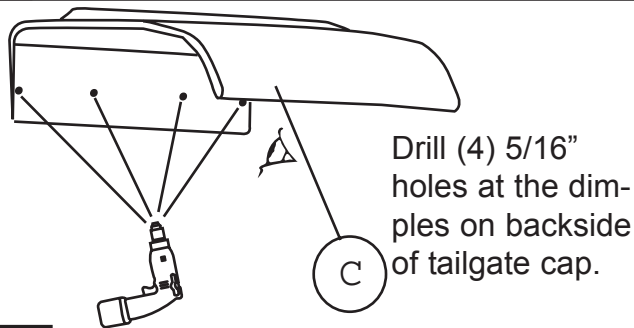
H 7a

Remove tailgate liner for modification to avoid body damage.

F



8a



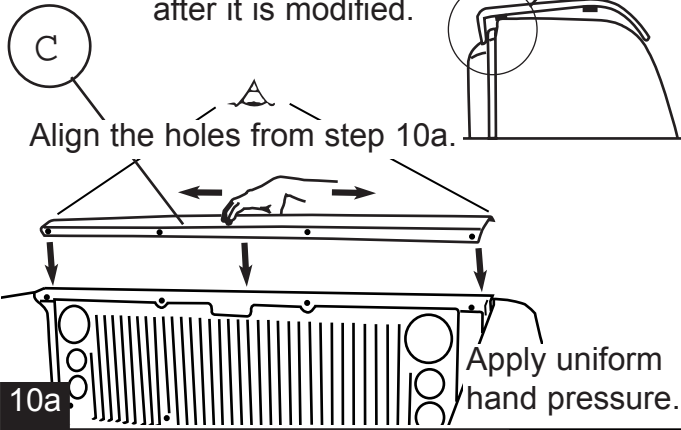
H 9a

Drill (4) 5/16" holes at the dimples on backside of tailgate cap.

I



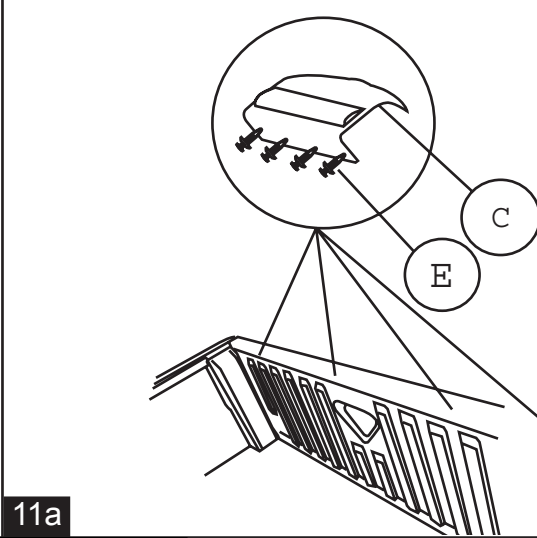
4 Molded tailgate cap cover is designed to "overlap" the OEM bedliner tailgate cover after it is modified.



10a

Align the holes from step 10a.

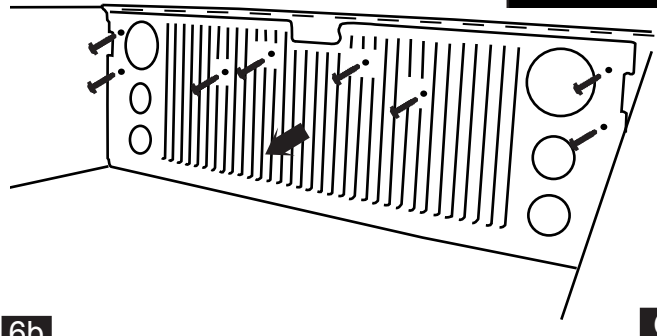
Apply uniform hand pressure.



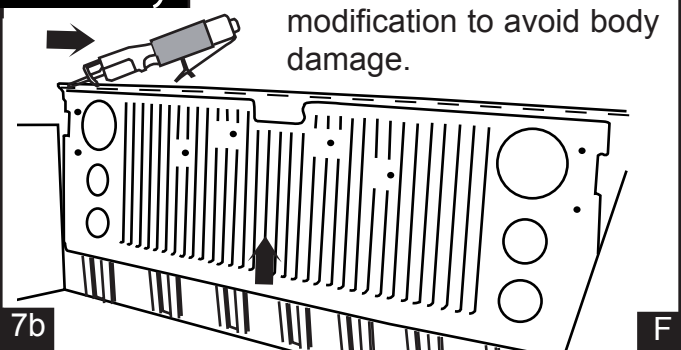
11a

H

Note: for Ram Only



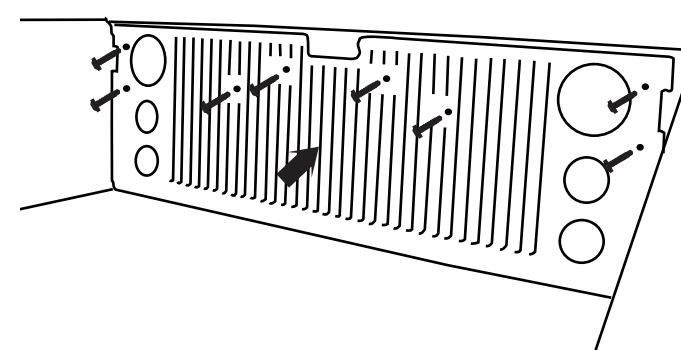
6b



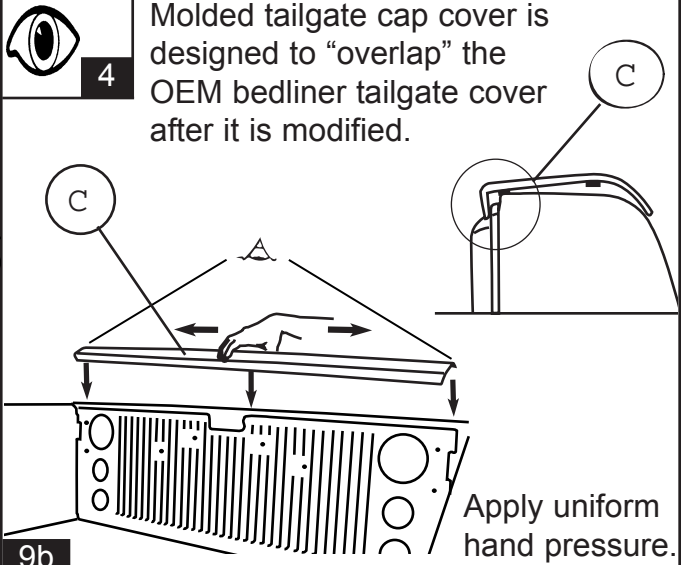
G 7b

Remove tailgate liner for modification to avoid body damage.

F



8b



G 9b

4 Molded tailgate cap cover is designed to "overlap" the OEM bedliner tailgate cover after it is modified.

Apply uniform hand pressure.