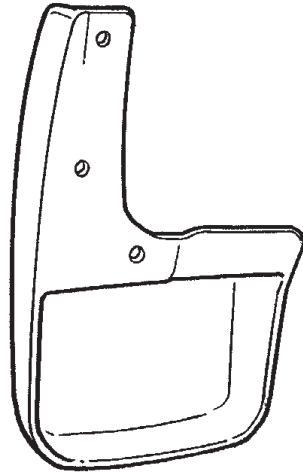




# JEEP / LIBERTY

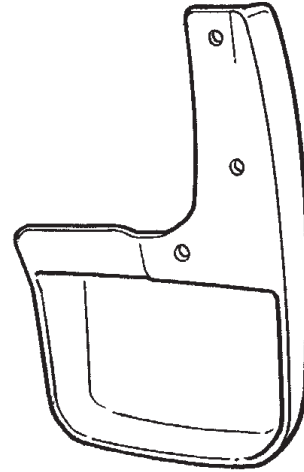
## Rear Splashguard

Rear Right

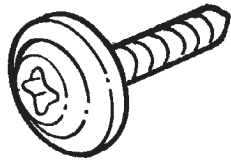


**A**

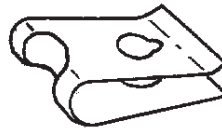
Rear Left



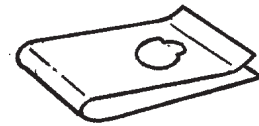
**B**



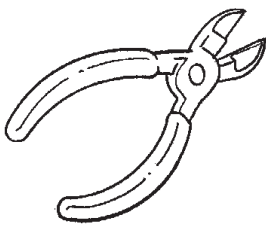
**C** 8X



**D** 2X



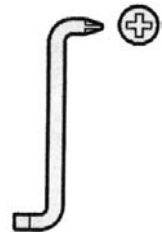
**E** 4X



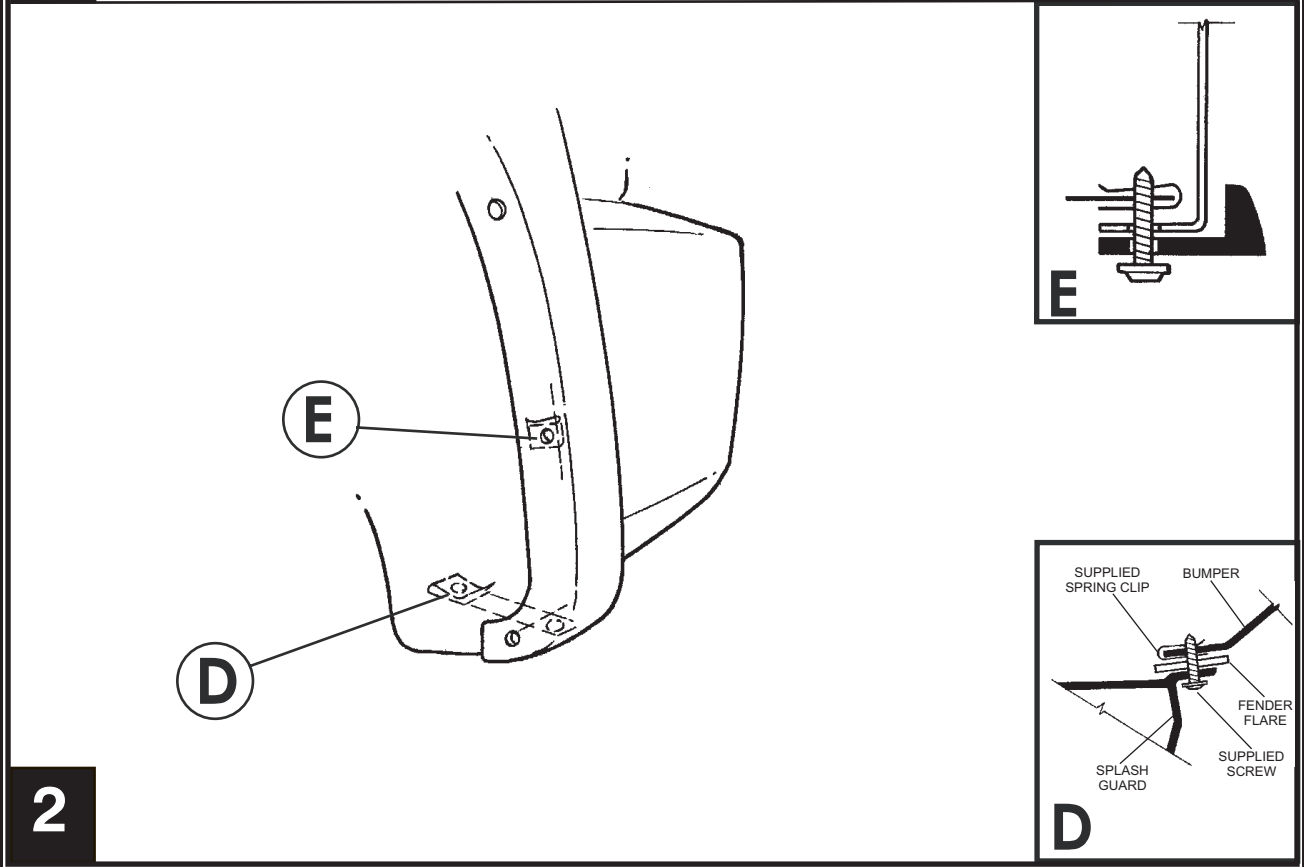
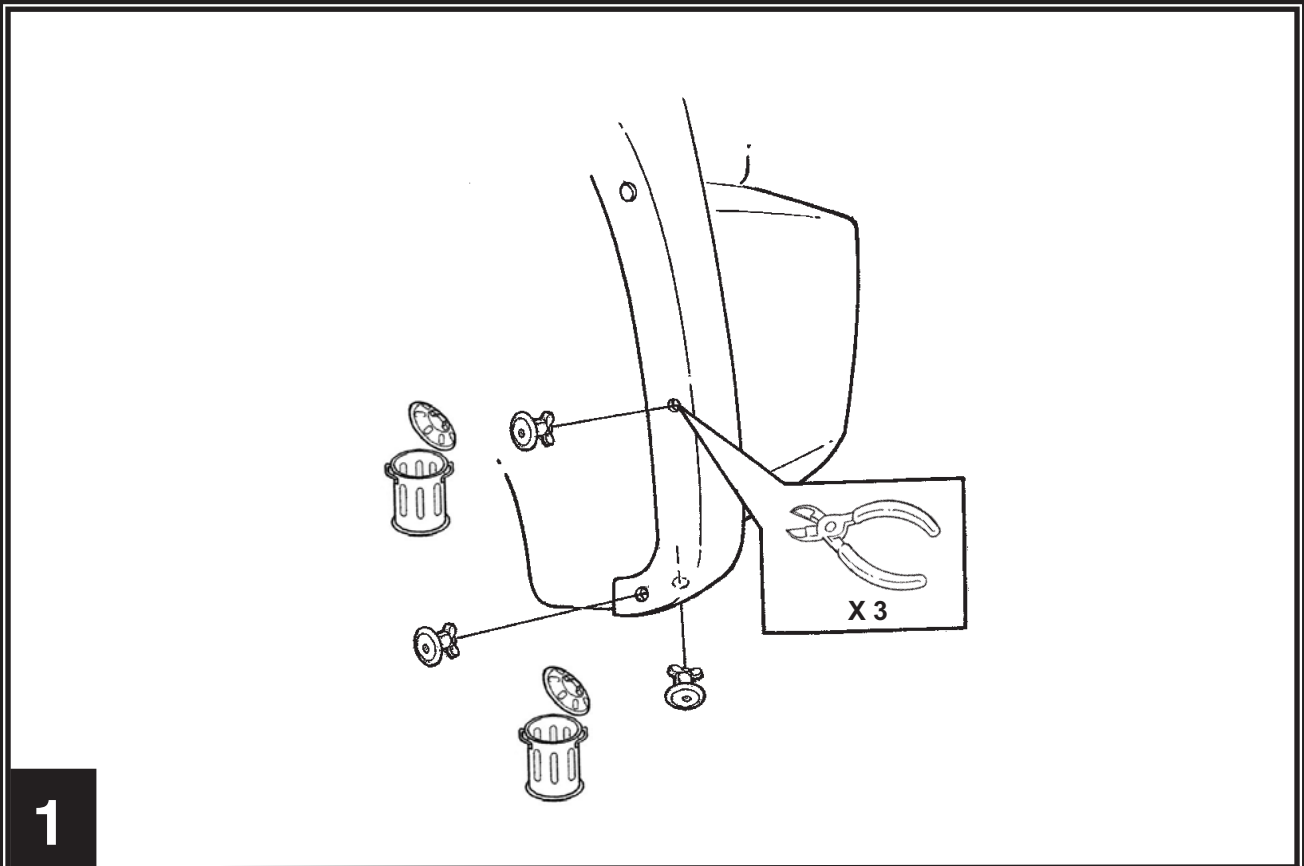
3/32" (2.5 mm)

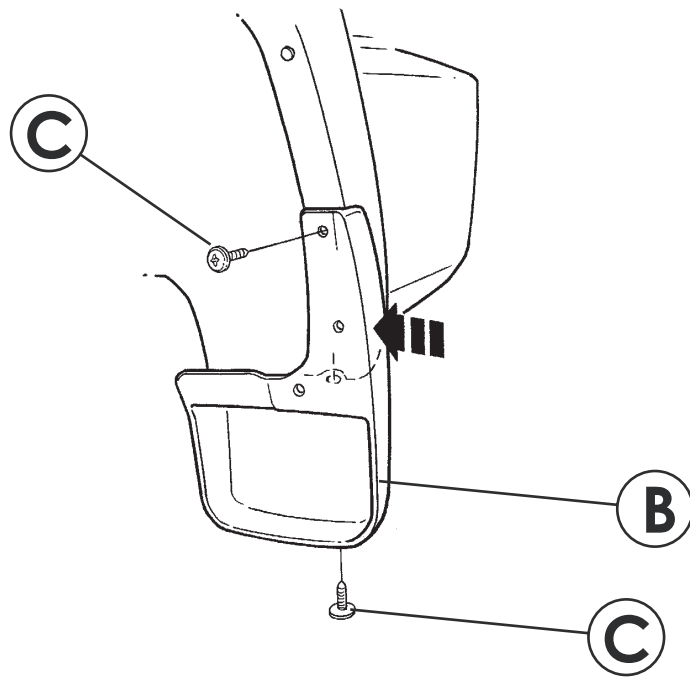


#2 Phillips  
Screw Driver

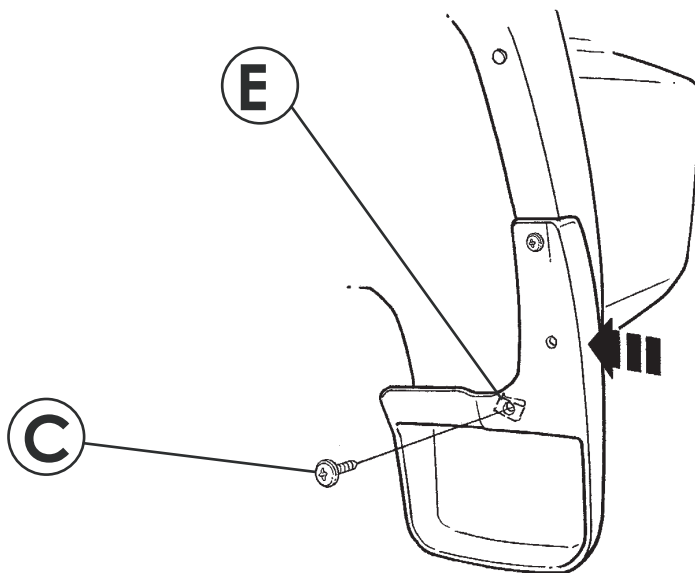


#2

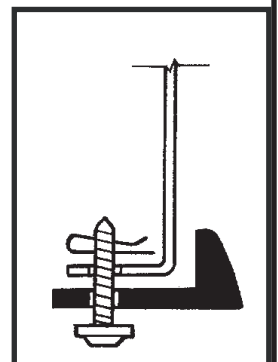


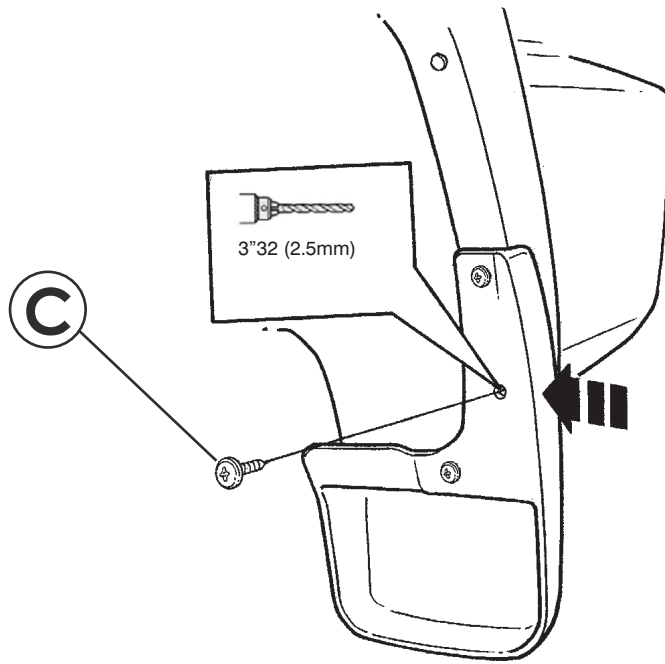


3



4





**5**