



DODGE DURANGO

CHROME FRONT AIR DEFLECTOR



(A1) Chrome Air Deflector



(A2) Fasteners x 5



(A3) Bumpers x 5



(A4) Anti-abrasion Film Pads x 5



(A5) Alcohol Wipes x 1

A KIT CONTENTS



Phillips Screwdriver



Wash Tools

B TOOLS REQUIRED



INSTALLED VIEW OF
FRONT AIR DEFLECTOR



97°F
35°C
68°F
20°C



APPLICATION:

IMPORTANT NOTICE

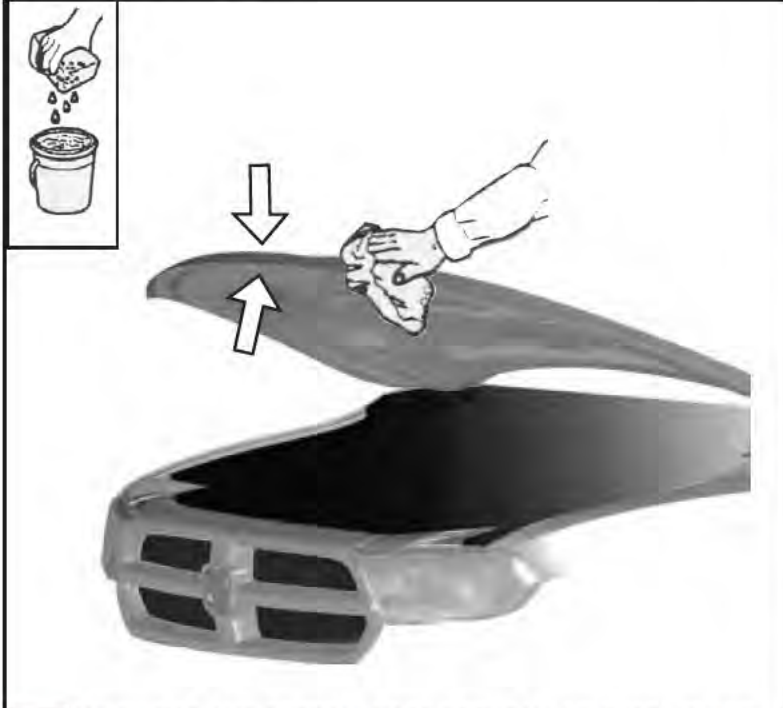
Prior to installation, check the entire kit for possible damage or defects.

**IF PARTS ARE DAMAGED OR CONTAIN DEFECTS DO NOT INSTALL.
YOU MUST RETURN THE COMPLETE KIT IF YOU WISH TO MAKE A WARRANTY CLAIM.**



DODGE DURANGO

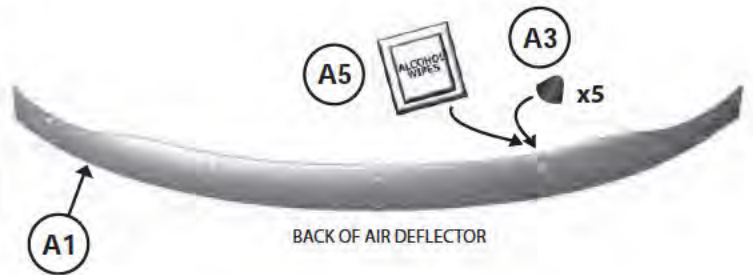
CHROME FRONT AIR DEFLECTOR



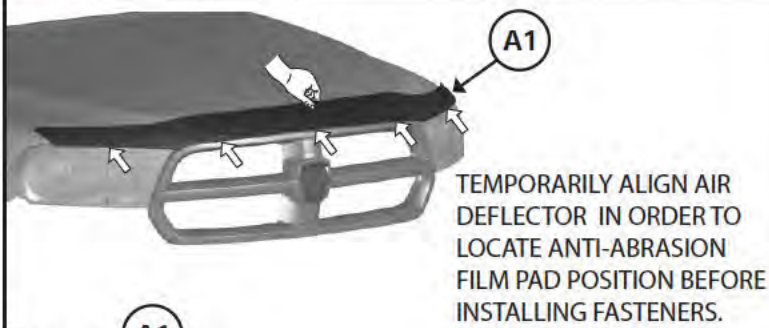
1 WASH TOP AND BOTTOM SIDES OF THE HOOD SURFACE AND DRY WITH CLEAN CLOTH.

BUMPER (A3) PLACEMENT INDICATED BY CIRCULAR MARKINGS ON BACK OF AIR DEFLECTOR.(5x)

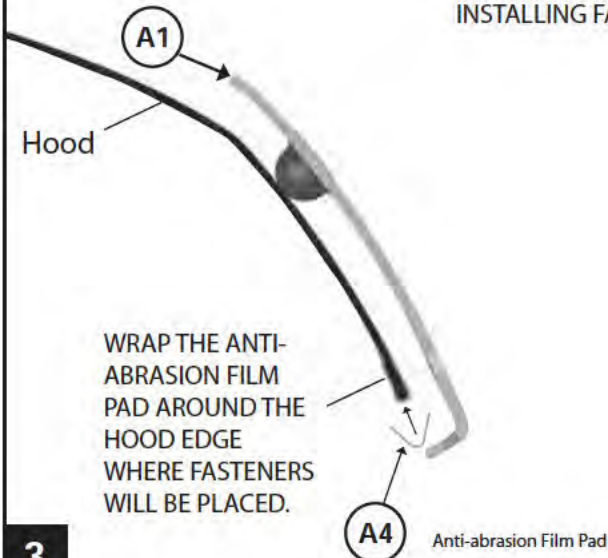
CLEAN BACK OF AIR DEFLECTOR SURFACE LOCALLY WITH THE ALCOHOL PAD OR A CLEAN CLOTH USING ISOPROPYL ALCOHOL; 70% MINIMUM. INSTALL BUMPERS AFTER ALCOHOL HAS COMPLETELY EVAPORATED.



2



TEMPORARILY ALIGN AIR DEFLECTOR IN ORDER TO LOCATE ANTI-ABRASION FILM PAD POSITION BEFORE INSTALLING FASTENERS.

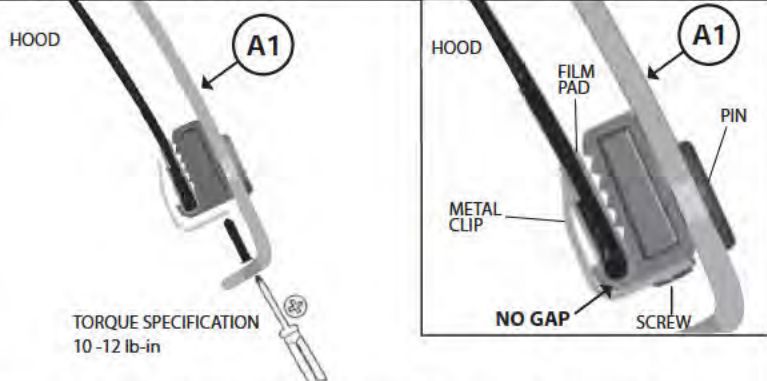
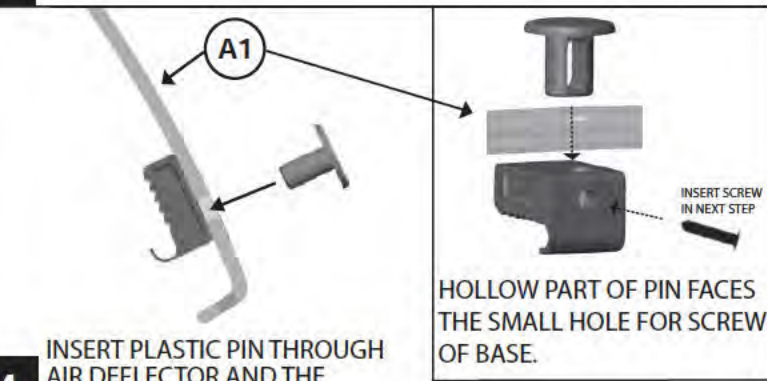


WRAP THE ANTI-ABRASION FILM PAD AROUND THE HOOD EDGE WHERE FASTENERS WILL BE PLACED.

3

4

INSERT PLASTIC PIN THROUGH AIR DEFLECTOR AND THE FASTENER BASE. (X5)



5

AFTER DEFLECTOR IS PROPERLY ALIGNED, SECURE AIR DEFLECTOR TO THE HOOD USING METAL CLIPS AND SCREWS. (X5)