

Deck Height	9.240"- 9.450" STD or Raised cam, 9.750" – 9.950" Raised cam only
Bore	4.000 & 4.125
Main Bearing Size	LS-1 (2.558" – 2.559")
Weight	115lbs – 4.125" and 126lbs – 4.000"
Largest Recommended Bore	4.165"
Largest Recommended Crank Stroke	4.100" w/ Raised cam
Camshaft Bearing Diameter	55mm babbitt
Stock Camshaft Position	4.885"
Cylinder Sleeve Thickness, min.135" @ 4.165"
Deck Thickness, min625 (5/8)

Torque Specs - Main Caps	7/16" bolts	65 ft lbs w/ CMD # 3 high pressure lube.
	3/8" bolts	40 ft lbs w/ CMD # 3 high pressure lube.

Actual deck height will be .002" - .005" taller for additional machining requirements.
 Factory style Cloyes timing gear is required PN# 9-3658TX3. Double Row timing chains are available but block must be clearanced before use.

Note: The block is designed for a single row timing chain. When using a double roller chain set you must check for interference and block clearance accordingly.

Cam bearing OD should be deburred before installation.

When initially removing main caps, the caps & block should be deburred before reinstalling. This will insure that the correct main size is maintained.

Pan rails have factory width and are shortened removing the "Y" block design.

The LS Next block requires a special modified oil pan which is available through Stef's, Moroso, Canton and others.

Dart offers billet pan rail spacers for use with factory style and aftermarket pans. P/N# 62230001

LS Next blocks have Dual Starter mounting pads. Meziere offers starters for both, For drivers side mounting Meziere P/N: TSS062.

Additional rod clearance may be necessary at bottom of cylinders.

Head stud holes are blind. They do not go into the water jacket.

Loctite # 271 is recommended when installing the head and main studs into the block.

Studs should *never* be torqued into block. They should only be lightly snugged.

Note: The tapered portion of the stud body should never contact the deck or bolt hole counter bore. Dart offers specific Aluminum block head stud kits with a machined bullet on the bottom of the stud to eliminate this issue. Please call our tech line for your application and part number.

When installing the pipe plugs in the LS Next oil galleries or water drains you must use a thread sealer to eliminate internal and external leaking and thread galling. We recommend Loctite 565 or a standard PTFE pipe sealer that is available at any auto parts store.

LS Next Blocks use LSX lifter "buckets" for use with stock style lifters.

LS Next Blocks use LS2 knock sensors

LS Next Blocks use LS3,LS7,LSX Or Moroso P/N: 25176 Valley Trays

Screw in freeze plugs and O-rings are included and sold separate. Freeze Plug P/N# 32310000 / O-ring P/N# 32410000

Front cam retaining plate & bolts included and sold separate for replacement P/N# 32226000

The block uses factory style crank driven oil pumps or aftermarket external, or dry sump systems.

Note: Must use remote oil filter w/-10AN O-ring Fittings.

PRIORITY MAIN OIL SYSTEM

The oil feed (out from pump) is located on the front driver's side of the block just above the oil pan rail and is machined for -10an w/ o-ring. The supply hole AND the oil pressure pickup (in from Filter) is located on the rear driver's side bottom just above the oil pan rail and is machined for -10an w/ o-ring.

Oil is directed to the main bearings first, then to the cam bearings. The lifters are oiled utilizing center oil crossovers fed from the main oil galley.

If lifter oiling is restricted, 1/8" pipe plug restrictors must be installed in the center crossovers just above the main oil galley. Our recommended starting point for restriction is .051" diameter with modified lifters. (See lifter mod sheet)

FOR ADDITIONAL INFORMATION SEE DIAGRAM OR CALL OUR DART TECHLINE AT 1-248-362-1188

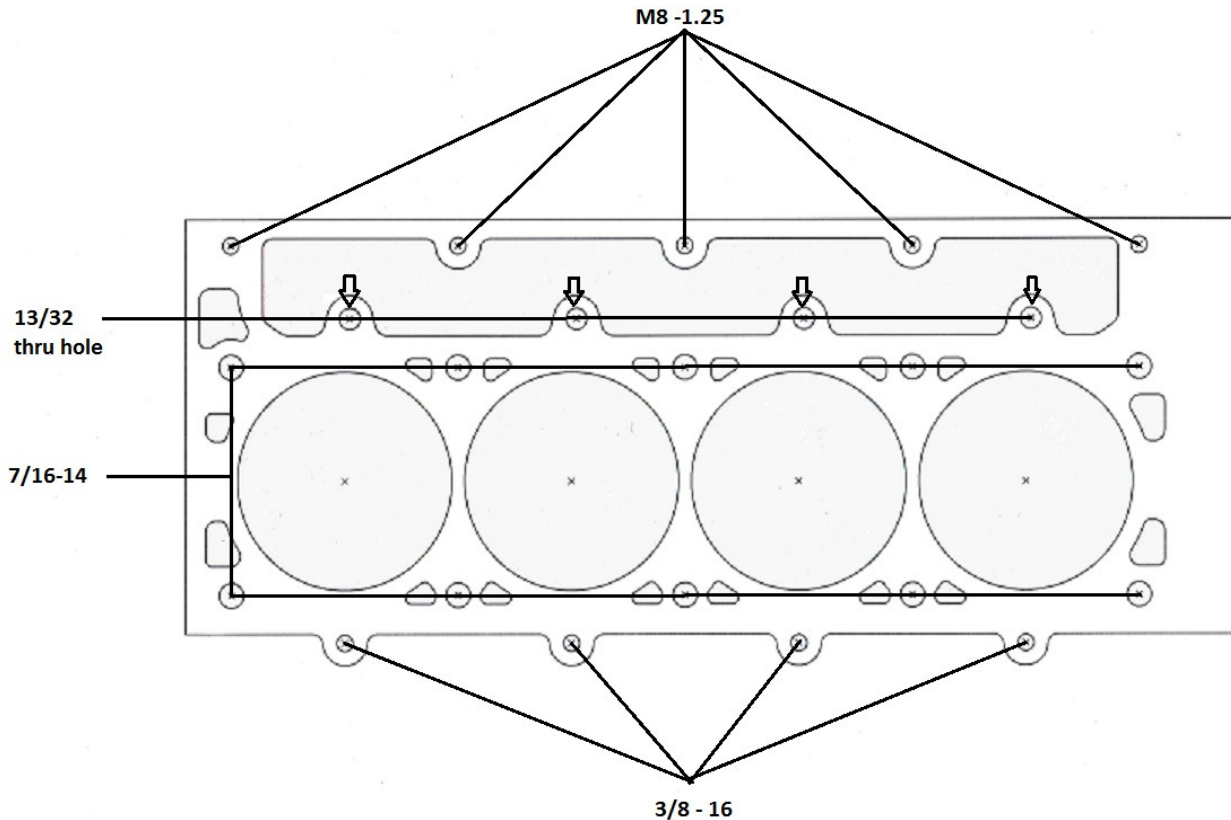
NOTE: Due to variations in lifter sizes and clearance preferences, most of our Engine Builder customers prefer the lifter bores sized on the small end of the specification. Sometimes these bores will need to be lightly honed.

NOTE: If you are using aftermarket cam profiles you must use the correct components for the application.

SPECIAL NOTE: with a multitude of different crank, rod and piston combinations available it is important to check clearance of all moving parts (especially crankshaft counterweight to block) before attempting any type of assembly.

Dart LS Next head bolt sizes: Have been upgraded to 7/16 -14 & 3/8-16 for increased strength and clamping force when using high cylinder pressure applications. Dart will have individual kits available for specific head application

Dart LS Next Blocks: Come machined for use with 6 bolts per cylinder. & can be upgraded for use with 1/2" fasteners.



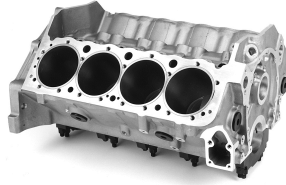
We stock parts that are unique to this block:

LS Next oil pan rail spacer kit	62230001
Special main bearings for LS Next	9-MS2321H or 9-MS2321HX
Cam retaining plate w/ bolt	32226000
55mm Babbitt cam bearings	32210101-5
LS Next Aluminum Block Parts Kit	32000017
LS Next Aluminum Main Stud Kit	66311020
Head Stud Kit 15 bolt Aluminum Block	66120028
Head Stud Kit 23 bolt Aluminum Block	66120028B
* Optional 1/2" Head Stud Kit 15 bolt Aluminum Block	66130128
* Optional 1/2" Head Stud Kit 23 bolt Aluminum Block	66130128B

Dart **LSNEXT** Small Block Chevy – *Technical notes*

Part Number #	DRT-063A(9.240” – 9.450” STD cam), DRT-063B (9.450” Raised cam), DRT-063C (9.750” – 9.950” Raised cam)
Material:	RMR Aluminum Alloy
Bore:	4.000” or 4.125” w/ 4.165” max / M.I.D. 4.200” Max
Bore & stroke:	4.165” x 4.100” max / (4.250” stroke w/Raised cam)
Cam bearing bore ID:	2.2998” – 2.3002”
Cam bearings:	55mm babbit Dart PN# 32210101-5
Cam bearing O.S.	+.010”, +.020”, and +.030” available
Cam bearing press:	.002” - .003”
Camshaft position:	Stock LS cam position
Camshaft to crank Ø	4.885”
Camshaft snout:	1.565” O.D
Cam Drive:	Accepts belt drive (*machining required) or stock chain drive.
Cam retaining plate:	Dart cam retaining plate w/bolts Dart PN# 32226000
Cam Plug snap ring:	N/A
Cubic inch:	447 cubic inch max
Cylinder wall Thickness:	.135” @ 4.165” bore
Deck Height:	9.240” – 9.450” w / extended cylinder barrels .375” at bottom.
Deck Thickness:	5/8” (.625”)
Fuel Pump:	Electric pump required
Fuel Pump Pushrod:	N/A
Freeze Plugs:	1-5/16” x 12 Screw in freeze plugs PN#32310000 w/ O-ring PN# 32410000
Lifter Bores:	.8427” - .8437” up to .937” keyed w/ 1.062” dia. bushing
Main bearing size:	2.558” – 2.559” Dart PN# 9-MS2321H or 9-MS2321HX
Main bearing bore:	2.7508” – 2.7512”
Main caps:	4 bolt billet steel w/splayed centers & center thrust
Oil system:	Low volume priority main oiling system w/ center crossover
Oil Pump:	Melling or Stock LS oil pump
Oil Filter:	Must use remote oil filter w/-10AN O-ring Fittings
Oil Pan:	Special: Moroso, Canton and Stef’s or Moroso pan rail spacers
Rear Main Seal	Stock LS style with factory cover
Serial No.	Front passenger side below deck surface (XXXLSN)
Sleeve OD:	4.300” O.D.
Sleeve O.S.	.010”, .020” and .030” available
Sleeve thickness:	.135” @ 4.165”
Sleeve Length:	5.825” O.A.L
Starter:	Factory LS starter w/ driver and passenger mounting options
Main bolts:	Inners – 7/16” x 3.600” Outer – 7/16” x 2.900”
Studs, heads:	Call for application / See Attached pg.2
Studs holes, Head:	6 bolt (per cylinder) pattern with 7/16”, 3/8”, and 8mm sizes
Stud length in block:	1.800” of thread depth (Requires Special Studs)
Timing chain/gears	Cloyes Part# 9-3658TX3
Timing Cover:	2005-up Factory LS cover and front seal w/ cam sensor provision
Torque Specs:	All torque specifications w/ CMD #3 High Pressure Lube 7/16” = 65 ft lbs 3/8” = 35 ft lbs 8mm = 22 ft lbs
Weight	115 lbs – 4.125” bore / 126lbs - 4.000” bore

IMPORTANT



This Block should be assembled only by experienced, professional engine builders.

INSPECTION

Upon receiving this block it should be thoroughly inspected for shipping damage.

Prior to machining and assembly please inspect the following items:
Cylinder bores - Oil passages - Deck surfaces - All threads

MEASURING & MACHINING

- ❑ All initial measuring should be done before any machining has begun.
- ❑ Decks are CNC machined to standard deck heights. If you need a particular deck height always measure before machining.
- ❑ Main journals are finish line honed to the low to middle of the specification. They should be measured for your preference. If you have need for a different diameter you must realign hone this yourself.
- ❑ Crankshaft & rod clearance should always be checked before any machining is started. You need .060" clearance for rotating counterweights and rods.
- ❑ Due to variations in OD dimensions of the numerous lifter manufacturers, lifter bores are finish honed on the tight side of the tolerance .

WASHING

- ❑ Final washing should be very thorough, paying particular attention to all oil galleys. Use hot soapy water and rinse with hot water first, followed by cold water which helps reduce rust.



Here at Dart we are constantly improving upon our products to ensure that you are receiving the latest and most technologically advanced products in the industry. Through our extensive R&D we have found that valvetrain oil is crucial in a high performance engine. The following modification will correct oil volume to the valvetrain that may occur when using solid roller lifters in any block.

Figure 1:
Stock un-modified
solid roller lifters

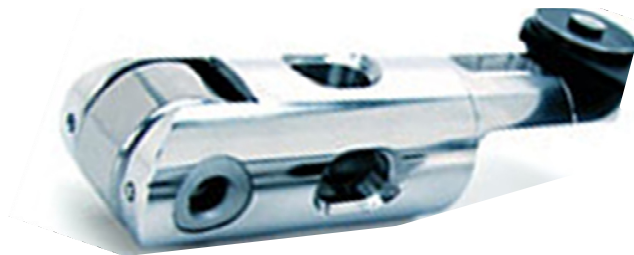


Figure 2:
Dart oil galley modification
from band to pushrod oil hole



We recommend a .020" deep x .080" radius wide groove from the pushrod feed hole to the oil band / machined feed hole in your solid lifters (**Front hole only** as shown in Figure 2 above) depending on your tooling & method. You can also do this with a cutoff wheel or a dremel. This allows you to use the restrictor provisions provided in your Dart block to tune oil volume to the lifter oil galley. This allows you to control the oil going to the pushrods, rocker arms and valve springs.

CAUTION!

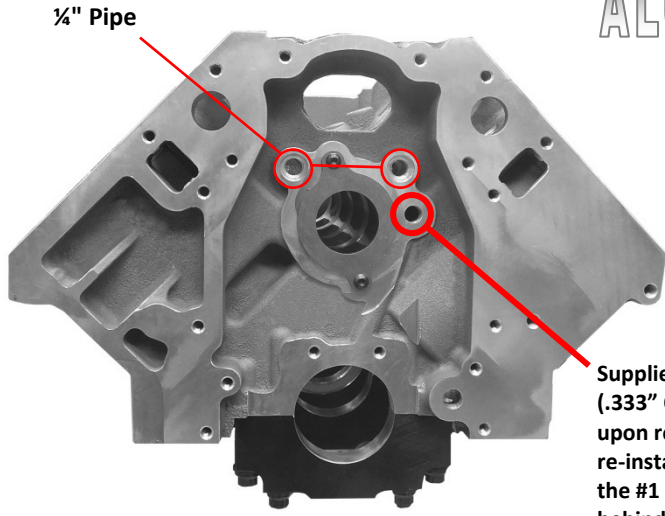


The use of lifters that are heavily lightened should not be used in Dart Blocks. The lightening holes will cause lifter oil to leak into the valley instead of oiling the pushrod, rocker arm and valvespring.

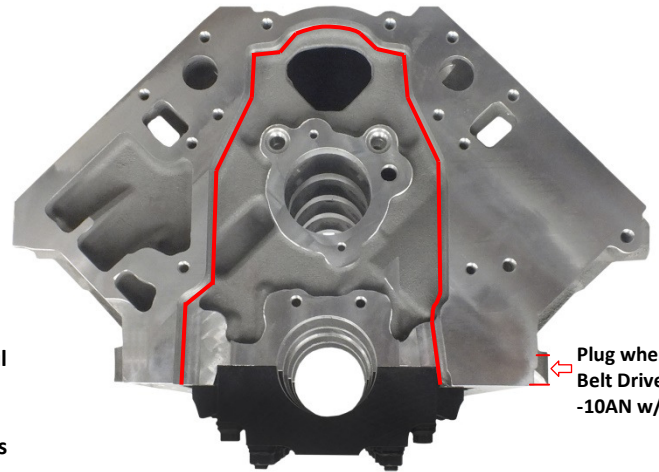
Please call our technical staff with any questions Mon-Fri 9am-6pm E/T (248)-362-1188

LSNEXT

ALUMINUM



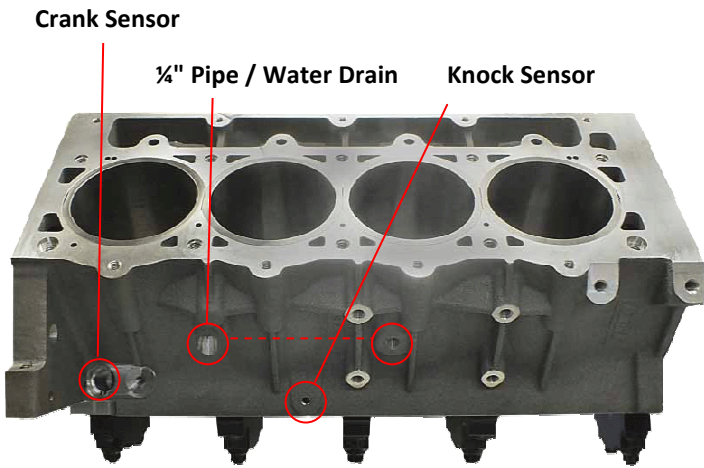
Stock LS Next Front



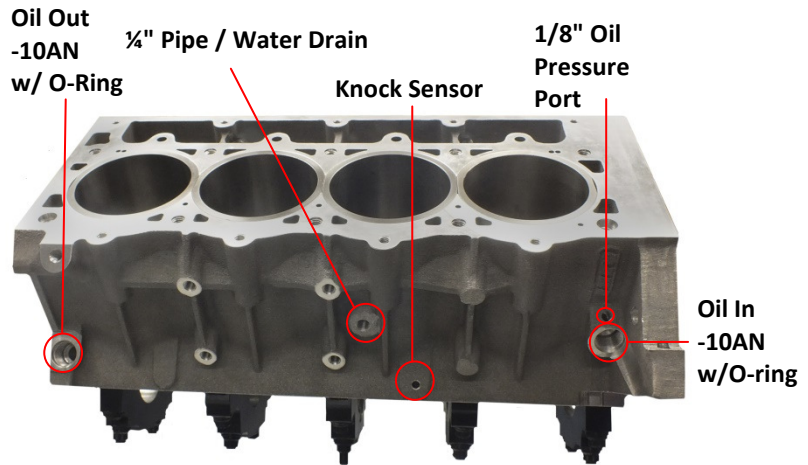
Machined For Jesel Belt Drive

Supplied 1/4" Pipe (.333" OAL) careful upon removal and re-installation as the #1 main feed is behind this plug

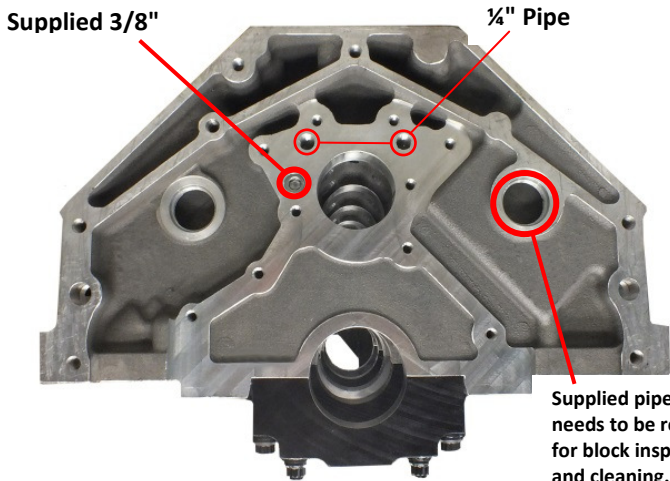
Plug when Jesel Belt Drive is used -10AN w/ O-ring



LS Next Passenger Side View

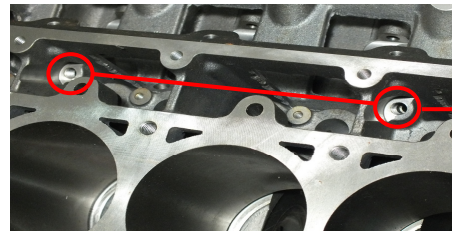


LS Next Drivers Side View



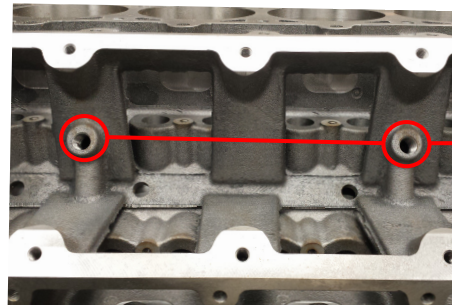
LS Next Rear View

Supplied pipe plug needs to be removed for block inspection and cleaning. use a liquid thread sealer on threads before re-installing plug



Drivers Side of Block:

The 2 crossovers in the lifter bucket area are 1/8" NPT these should be plugged.



Top View of Valley Area:

The 2 crossovers in the Valley area are 1/4" NPT & are tapped internally for 1/8" NPT Restrictors would go in this location.

LS Next Oil Crossover Locations