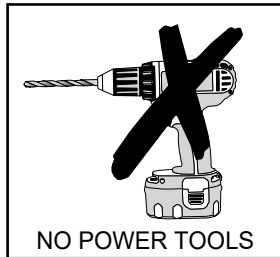
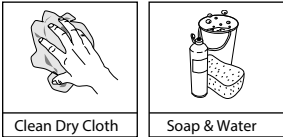


EGR INSTALLATION INSTRUCTIONS

Tools Required



Cleaning Notes

- Spray with a firm water spray to remove any loose dirt.
- Wash with water, detergent and a soft cloth or sponge.
- Do not use petroleum based solvents or abrasives.

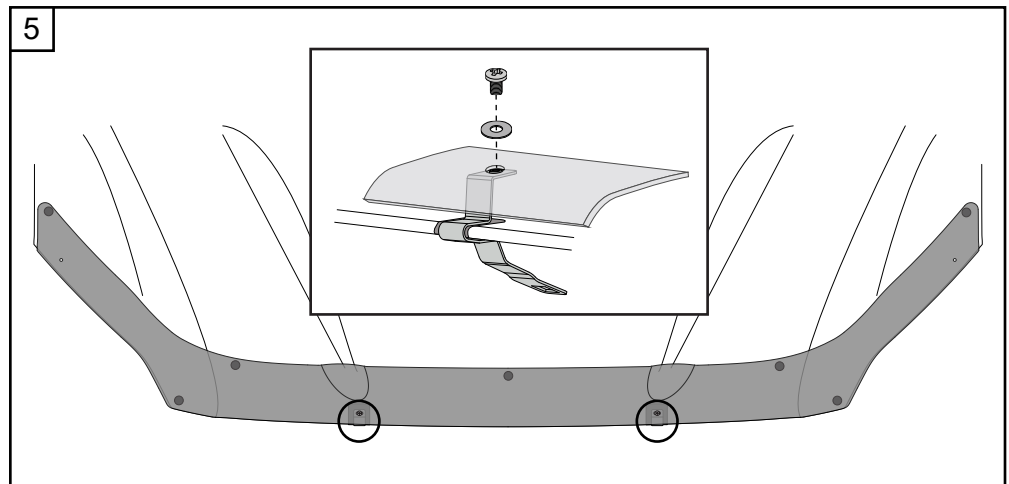
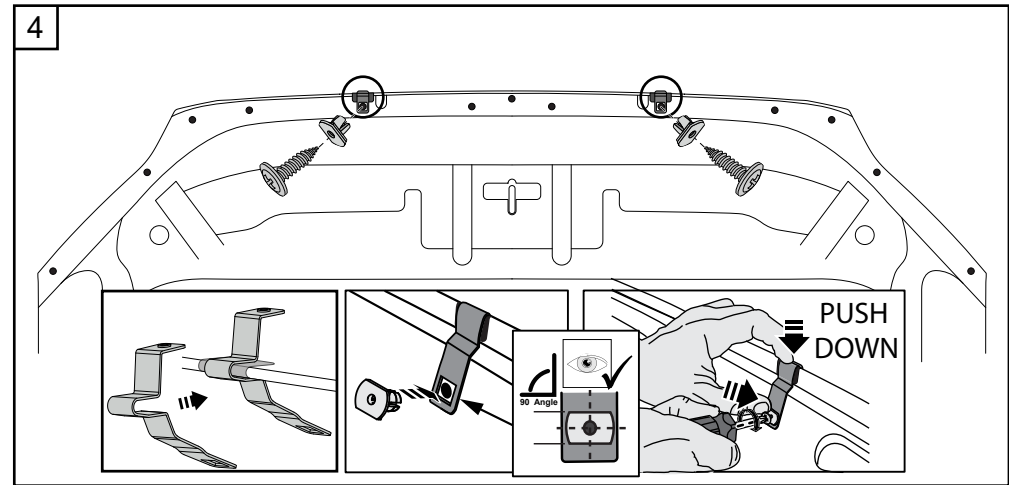
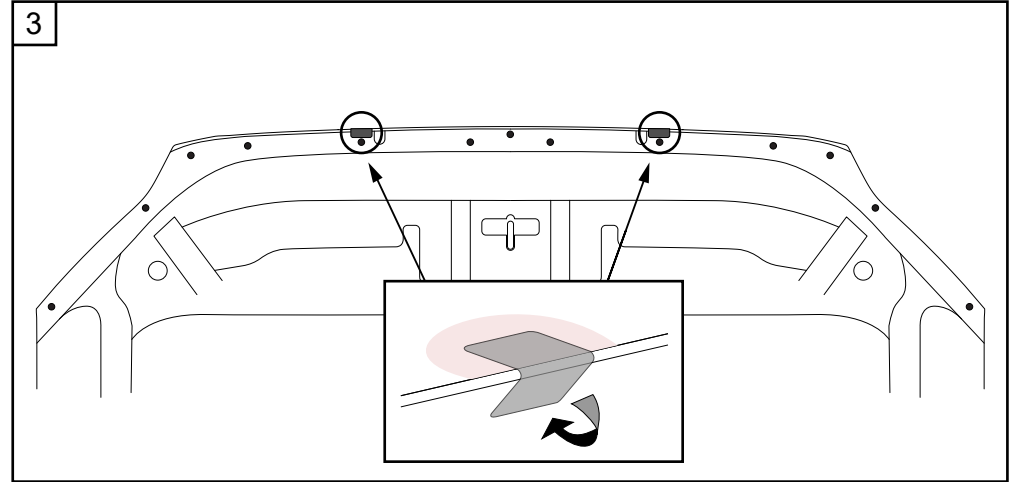
- 3• Clean the two noted areas with alcohol prep pad provided. Wipe off any residue with a dry clean cloth. Adhere the medium abrasive resistant tape strips over the hood lip. Apply tape so approximately half of each strip is adhered to the top side and half is adhered to the underside of hood.

- 4• Install the two Fixed Clips by aligning them with the previously noted holes in the hood. Insert the Screw Plugs through the rectangular holes of the Fixed Clips into the hood. While pushing the Screw Plug down against the Fixed Clip insert the two self-tapping screws into the Screw Plugs.

IMPORTANT: Ensure the clips rest over the abrasive resistant tape and do not come in contact with hood paint work. Failure to do this may result in permanent paint damage.

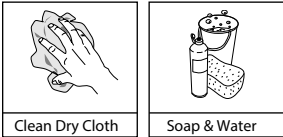
IMPORTANT: Thumb pressure must be maintained on the Fixed Clips to prevent the screw plug from rotating.

- 5• Fit the Hood Deflector centrally onto the hood and loosely secure it to the top of the Fixed Clips using fibre washers and small screws. Do not fully tighten yet. Ensure that the Hood Deflector is centralized on the hood, then fully tighten



EGR INSTALLATION INSTRUCTIONS

Tools Required



Cleaning Notes

- Spray with a firm water spray to remove any loose dirt.
- Wash with water, detergent and a soft cloth or sponge.
- Do not use petroleum based solvents or abrasives.

6. Clean the two noted areas with alcohol prep pad provided. Wipe off any residue with a dry clean cloth. Adhere the medium abrasive resistant tape strips over the hood lip. Apply tape so approximately half of each strip is adhered to the top side and half is adhered to the underside of hood.

7. Slide the two metal Push-on clips over the abrasive resistant tape on the hood edge at the two previously noted outer positions.

IMPORTANT: Ensure the clips rest over the abrasive resistant tape and do not come in contact with hood paint work. Failure to do this may result in permanent paint damage.

IMPORTANT: Position end clip 2-1/8" (85.0MM) from edge of hood for best fit

8. Firmly secure the Hood Deflector to the top of the Metal Wing Clips using fibre washers and small screws. Installation is complete.

TO REMOVE: Reverse the above procedures.

