

FRONT DOOR INSTALLATION



INSTALLATION INSTRUCTIONS

TM

IN-CHANNEL SLIMLINE WINDOW VISOR



INSTALLATION INSTRUCTIONS

- 1• Clean and dry the vehicle. Lower the front windows completely.
- 2• Fit the front section of the **WINDOW VISOR** behind the mirror base. Ensure the bottom edge of the **WINDOW VISOR** locates on top of or over the lower window molding, as shown.
- 3• Position the rear section of the **WINDOW VISOR** into the rubber window channel, as shown.

IMPORTANT

When fitting the **WINDOW VISOR** it will be necessary to bend the **WINDOW VISOR** to enable fitment into the rear section of the door channel.

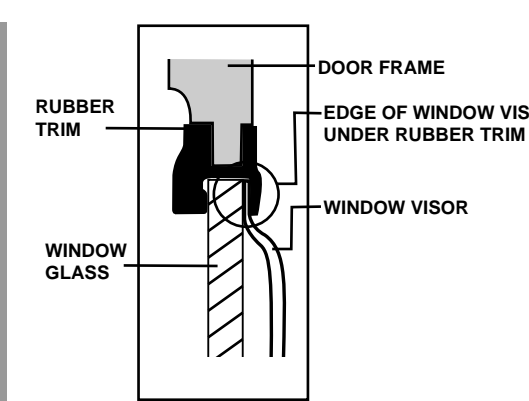
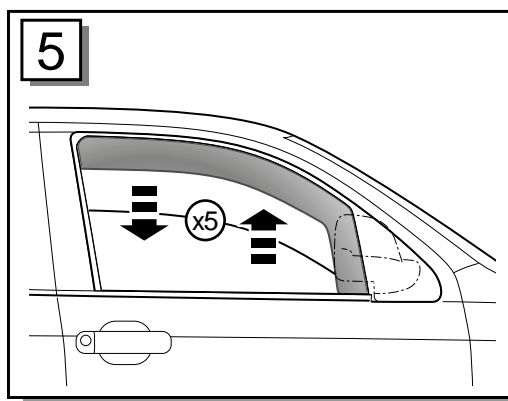
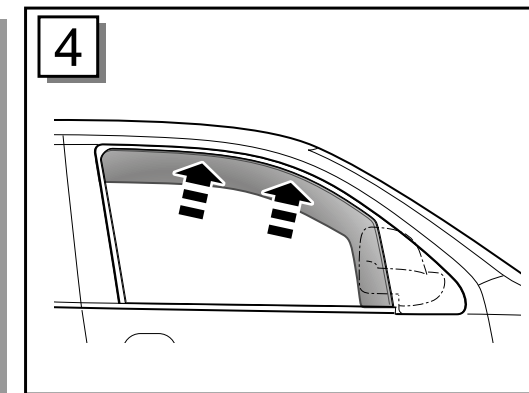
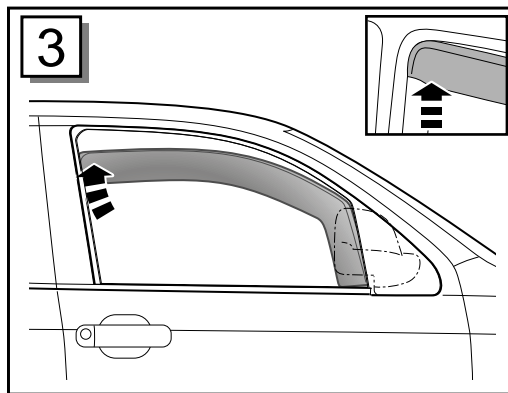
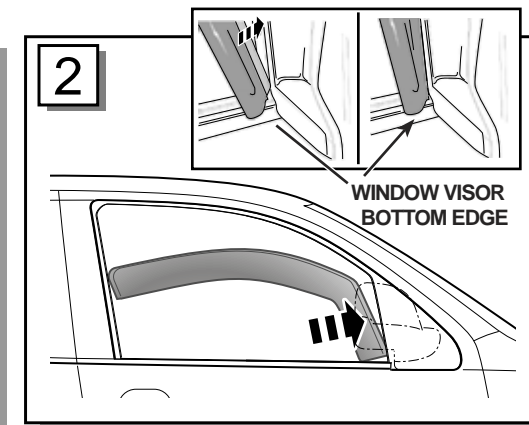
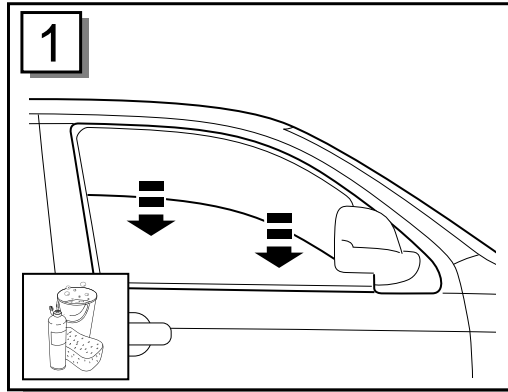
CARE MUST BE TAKEN AS THE PRODUCT COULD BREAK.

Once installed gently push the **WINDOW VISOR** upwards into the window channel.

- 4• Fit the center of the **WINDOW VISOR** into the rubber window channel. Work the **WINDOW VISOR** into the rubber window channel by hand, ensuring it locates securely.
- 5• Ensure the **WINDOW VISOR** is located in the outermost section of the rubber window channel and finally, raise and lower the window approx. 5 times to help seat the **WINDOW VISOR** into the rubber window channel.

IMPORTANT: Before fitting product, read instruction fully. Reverse the above procedure to remove this product.

TO CLEAN: Use mild detergent and water solution. (Do NOT use solvents). Avoid the use of automatic "Brush Style" car washes.



IMPORTANT

The rubber window trim may need to be massaged to allow the window and **WINDOW VISOR** to seat correctly in the window channel.