

- **PLEASE** study these instructions carefully before installing your new Edelbrock Shaft Speed Sensor Kit. If you have any questions, do not hesitate to contact our **Technical Hotline at: 1-800-416-8628**, from 7am-5pm, Monday through Friday, Pacific Standard Time.

DESCRIPTION

Shaft Speed Sensor Kit for Qwikdata, QwikData 2 or any data acquisition system requiring a shaft speed input. The Edelbrock Shaft Speed Sensor Kit includes a high quality speed sensor, sensor mount and an aluminum collar retaining up to 4 trigger magnets that fastens to the pinion yoke on your vehicle's differential.

Part #91187 fits pinion yokes with an outer diameter of 1.875". Part #91188 fits pinion yokes with an outer diameter of 2.187".

Kit Contents:

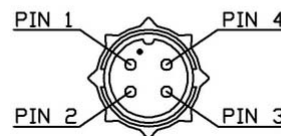
- 1 - Two-Piece Aluminum Mounting Ring
- 2 - 10-32 x 3/4" Cap Screws
- 4 - Magnets
- 1 - Sensor Switch Bracket
- 1 - Stainless 5/16-24 Threaded Hall-Effect Omni-Polar Speed Sensor.

*Note: Sensor mating connector:
Edelbrock part #91200
Switchcraft part # EN3C4F.*

Sensor Electrical Connections

Pin	Function	Wire Color
1	Sensor Ground	Black
2	Sensor Output	White
3	+5 Volt Supply	Red
4	N/C	-

PIN VIEW



Installation Procedure

- **Note:** Refer to Figure 1 below for reference on all steps.

1. Install the number of magnets you require for your data acquisition system into the ring assembly.
2. The magnets are to be seated against the shoulder (towards the outside diameter of the ring), then glued with an adhesive such as epoxy, RTV silicone, hot glue, etc. **(Note: QwikData and QwikData 2 can trigger off magnets north or south pole.)**
3. Install the ring halves around the pinion coupler and tighten the 10-32 x 3/4" cap screws tightly. The beveled edge on the inside of the ring should face the pinion U-joint. The gap on each side

of the ring should be even to ensure correct timing on multiple magnet use.

4. Attach the Sensor Switch Bracket to a bolt or stud on the rear end housing as shown in Figure 1. Attach Sensor Switch and adjust gap to .080-.160 for QwikData use, or to your data acquisition system specification.

- **Note:** Periodically, make sure the magnets and mounting ring are secure.
- **Caution:** Excessive heat can cause the magnets to lose power.

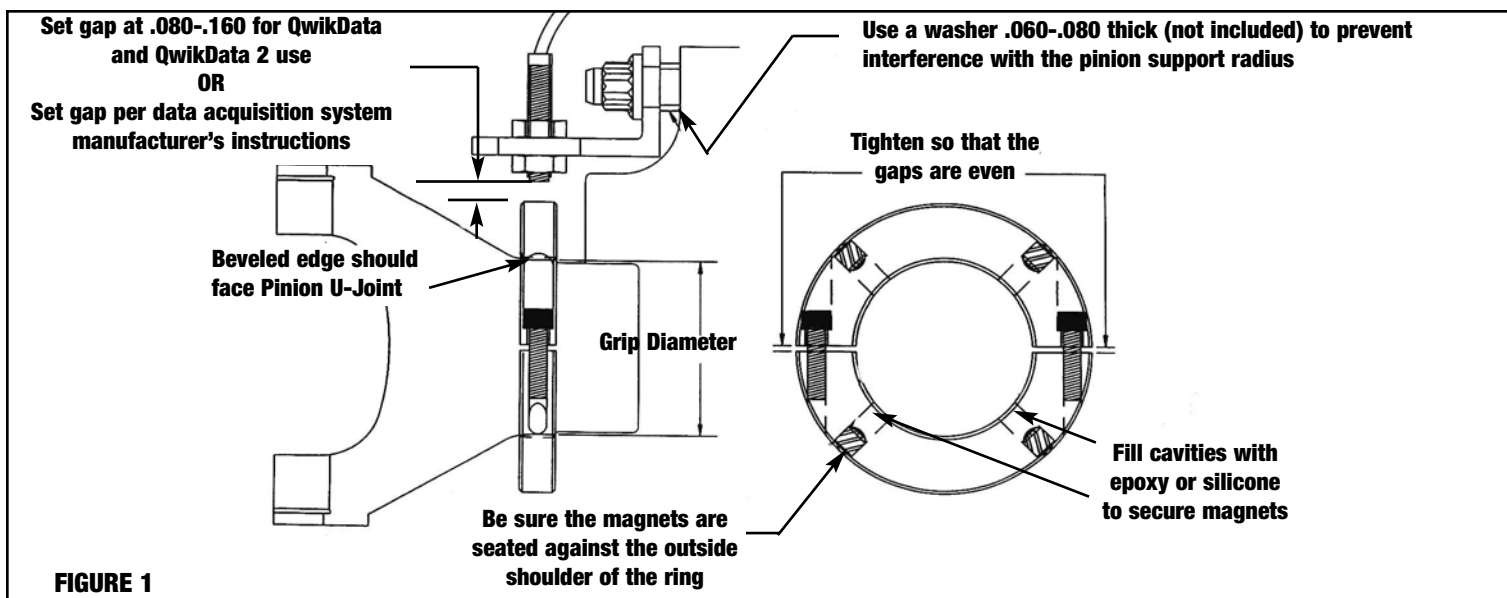


FIGURE 1

Edelbrock LLC, 2700 California Street, Torrance, CA 90503

Tech Line: 800-416-8628; Office: 310-781-2222