

## Installation Instructions for set # 16-10101, 16-10102, 16-10103 and 16-10104



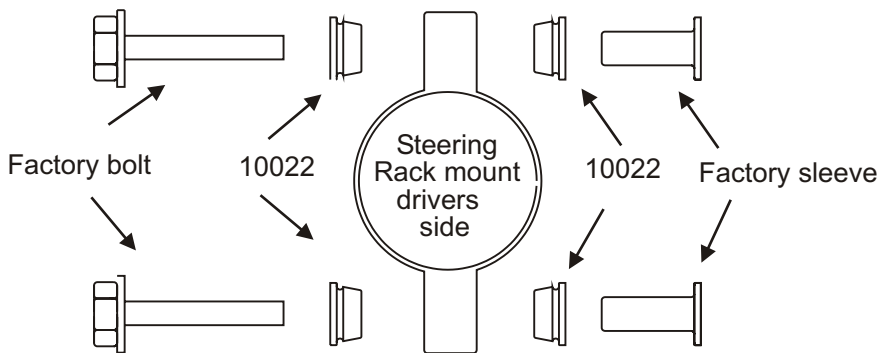
1131 VIA CALLEJON, SAN CLEMENTE, CA 92673

It is recommended that if you are unfamiliar with this type of work that you refer to a qualified service center specializing in this type of work. It is also recommended that if you choose to do this work yourself that a factory service manual be obtained for the proper procedures pertaining to removal, replacement and proper torque specifications for your vehicle. This instruction set is intended as a guideline for the safe installation of Energy Suspension's polyurethane bushings, once you have removed the factory components from your vehicle.

### Steering rack bushing

1. Follow the factory manual for the procedure on removing the steering rack mount bushings.
2. Part # 10022 is used on the drivers side.(power steering and non-power steering models)
3. Part # 10023 or 10024 is used on the passengers side. Part # 10023 is used in set # 16-10101. Part # 10024 is used in set # 16-10102. Part # 10025 is used in set # 16-10103. Part # 10037 is used in set # 16-10104.

Note: Part # 10023, 10024 and 10025 will only fit on power steering equipped vehicles.(this bushing is not available for non-power steering models.)



© 2003 Energy Suspension. All rights reserved.  
May not be reproduced, in any form, or by any means,  
without the written consent of Energy Suspension.

**17153**

7/25/96 KN  
Updated 18/FEB/02 BRH  
Updated 14/AUG/03 BRH

## Installation Instructions for set # 16-10101, 16-10102, 16-10103 and 16-10104



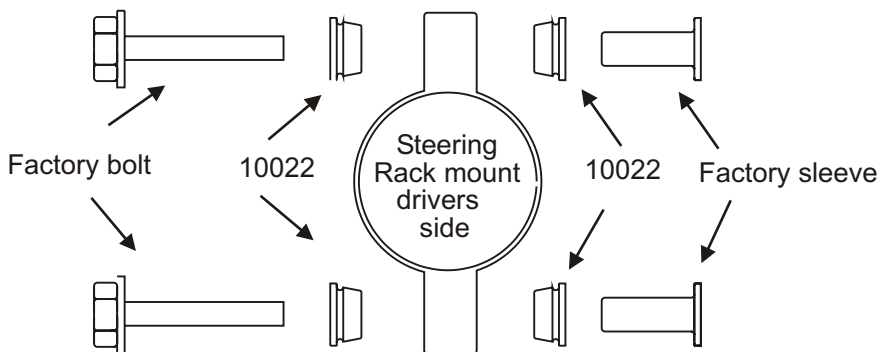
1131 VIA CALLEJON, SAN CLEMENTE, CA 92673

It is recommended that if you are unfamiliar with this type of work that you refer to a qualified service center specializing in this type of work. It is also recommended that if you choose to do this work yourself that a factory service manual be obtained for the proper procedures pertaining to removal, replacement and proper torque specifications for your vehicle. This instruction set is intended as a guideline for the safe installation of Energy Suspension's polyurethane bushings, once you have removed the factory components from your vehicle.

### Steering rack bushing

1. Follow the factory manual for the procedure on removing the steering rack mount bushings.
2. Part # 10022 is used on the drivers side.(power steering and non-power steering models)
3. Part # 10023 or 10024 is used on the passengers side. Part # 10023 is used in set # 16-10101. Part # 10024 is used in set # 16-10102. Part # 10025 is used in set # 16-10103. Part # 10037 is used in set # 16-10104.

Note: Part # 10023, 10024 and 10025 will only fit on power steering equipped vehicles.(this bushing is not available for non-power steering models.)



© 2003 Energy Suspension. All rights reserved.  
May not be reproduced, in any form, or by any means,  
without the written consent of Energy Suspension.

**17153**

7/25/96 KN  
Updated 18/FEB/02 BRH  
Updated 14/AUG/03 BRH