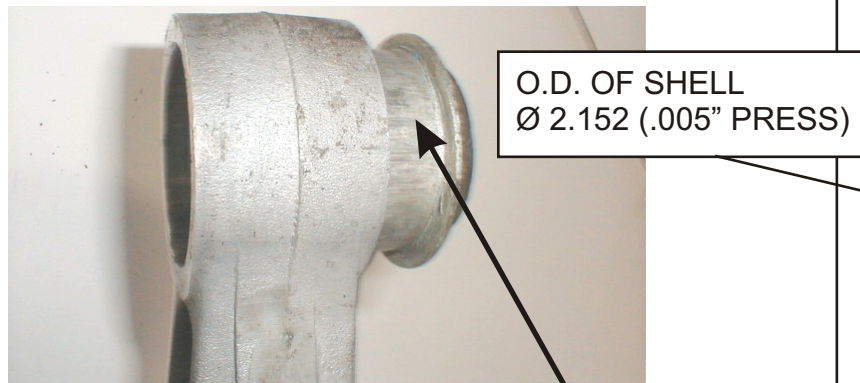
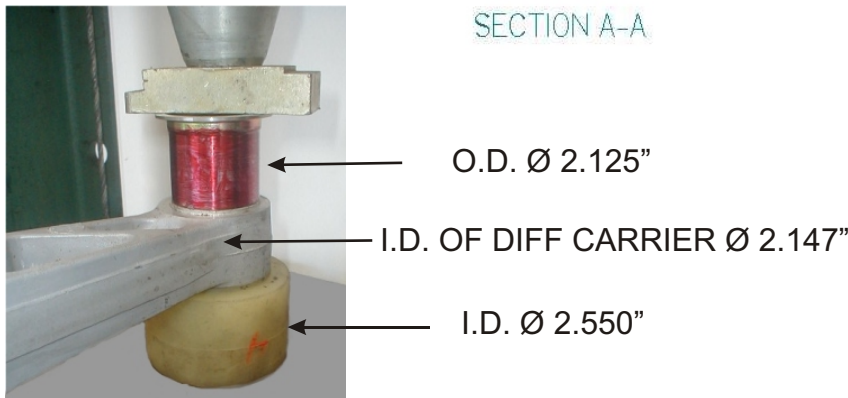
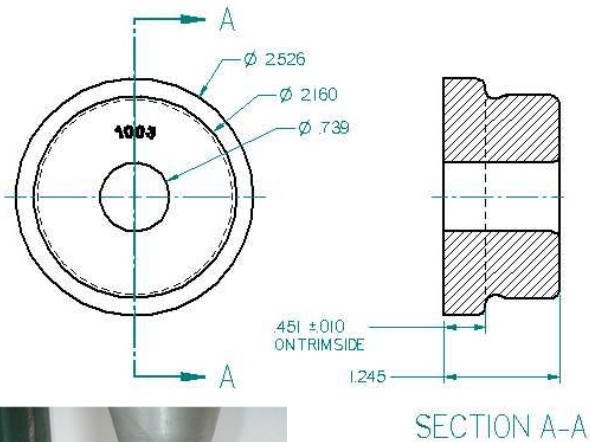


B.O.M. for set # 3.1103

84-91 Corvette differential carrier mount

QTY.	BUSHING	FLG. CUT	DURO
4 EA	1003	.451"	95A
QTY.	SLEEVE	DIMS	
2 EA	15.10.117.39	(.750" X .500" X 2.562")	
1 EA	9.11108	GREASE	



MUST REMOVE FACTORY SHELL

INSTRUCTIONS FROM O.E.M. SHOP MANUAL

DIFFERENTIAL CARRIER COVER BEAM BUSHINGS

Removal

1. Remove the differential carrier and cover as outlined in the Axle Section.
2. Install (J-34197-1) receiver, bolt, bearing and washer on flange side of bushing (rear side of cover).
3. Install remover (J-34197-3) over bolt until seated on bushing (front side of cover).
4. Install long nut (J-34197-5) on bolt. Tighten bolt while holding long nut until bushing is pressed from cover.

Remover O.D. Ø 2.125"

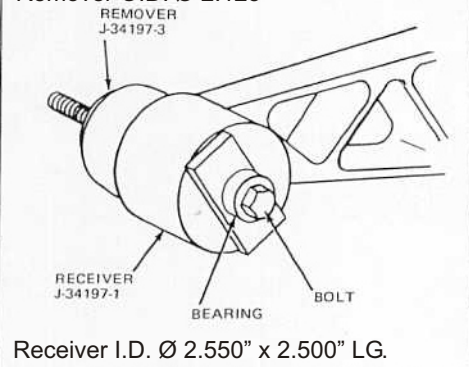


Fig. 14--Removing Bushing

