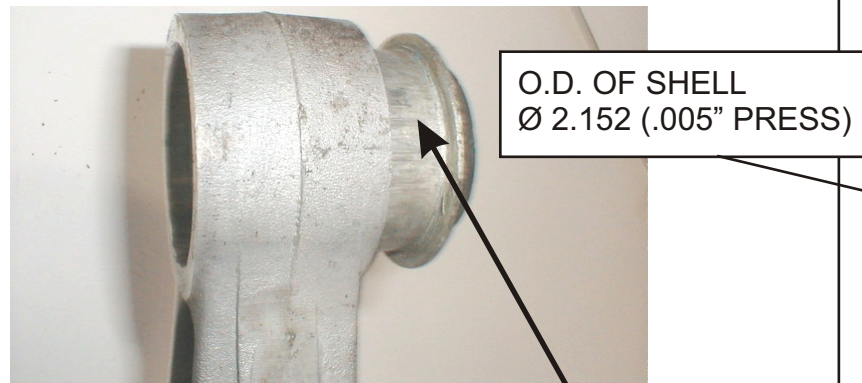
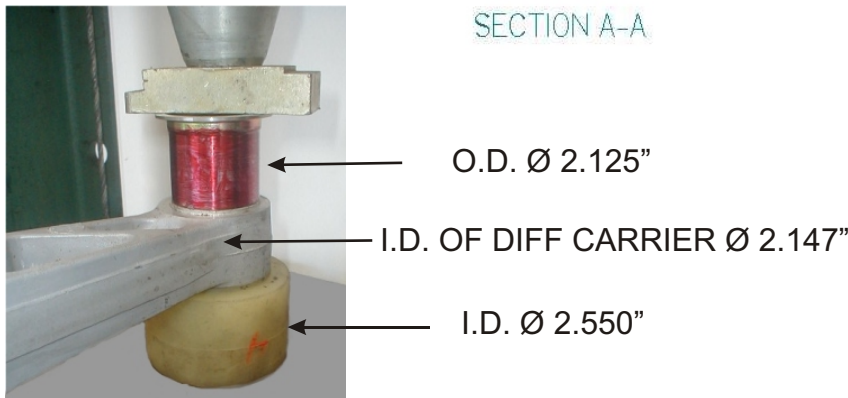
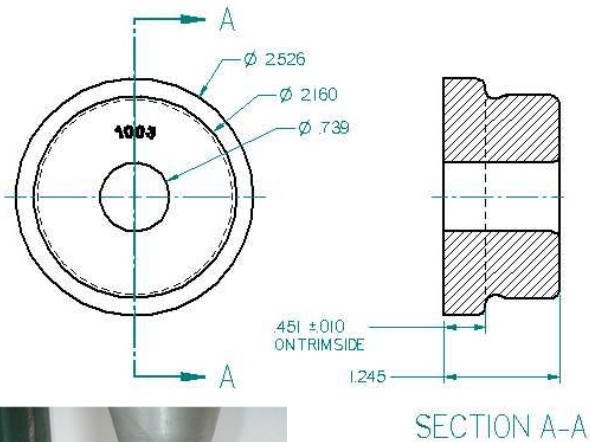


# B.O.M. for set # 3.1103

## 84-91 Corvette differential carrier mount

QTY.	BUSHING	FLG. CUT	DURO
4 EA	1003	.451"	95A
QTY.	SLEEVE	DIMS	
2 EA	15.10.117.39	(.750" X .500" X 2.562")	
1 EA	9.11108	GREASE	



**MUST REMOVE FACTORY SHELL**

### INSTRUCTIONS FROM O.E.M. SHOP MANUAL

#### DIFFERENTIAL CARRIER COVER BEAM BUSHINGS

**Removal**

1. Remove the differential carrier and cover as outlined in the Axle Section.
2. Install (J-34197-1) receiver, bolt, bearing and washer on flange side of bushing (rear side of cover).
3. Install remover (J-34197-3) over bolt until seated on bushing (front side of cover).
4. Install long nut (J-34197-5) on bolt. Tighten bolt while holding long nut until bushing is pressed from cover.

Remover O.D. Ø 2.125"

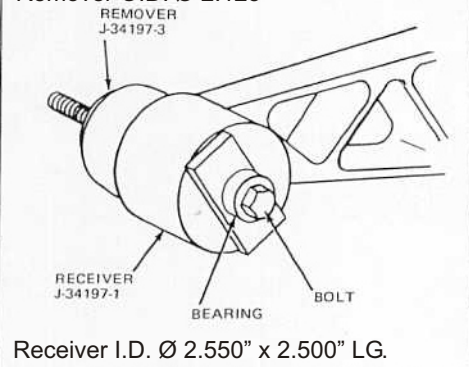


Fig. 14--Removing Bushing

