

Installation Instructions

For set # 8.3121
03-04 Toyota Corolla / Matrix
Rear axle beam bushing



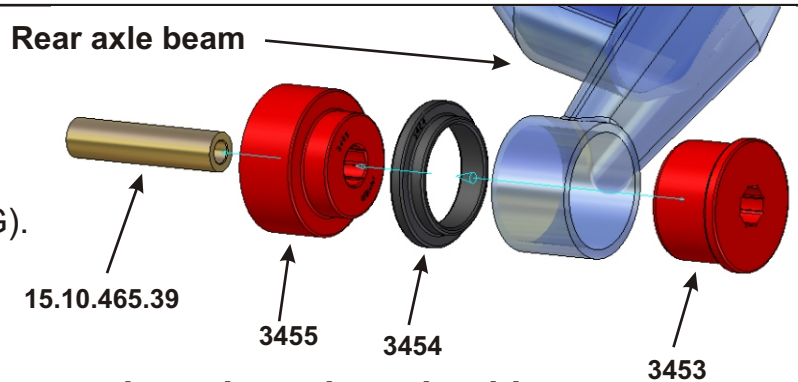
1131 VIA CALLEJON, SAN CLEMENTE, CA 92673

© 2005 Energy Suspension. All rights reserved.
May not be reproduced, in any form, or by any means,
without the written consent of Energy Suspension.

It is recommended that if you are unfamiliar with this type of work that you refer to a qualified service center specializing in this type of work. It is also recommended that if you choose to do this work yourself that a factory service manual be obtained for the proper procedures pertaining to removal, replacement and proper torque specifications for your vehicle. This instruction set is intended as a guideline for the safe installation of Energy Suspension's polyurethane bushings, once you have removed the factory components from your vehicle.

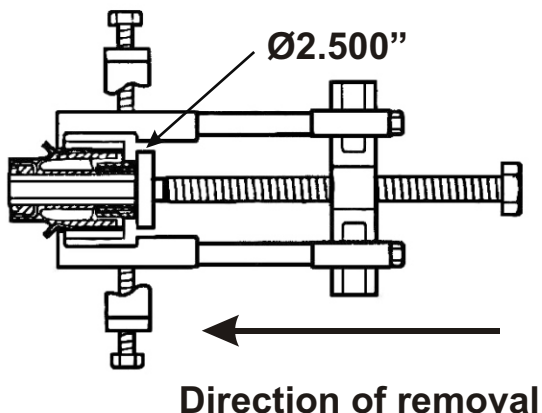
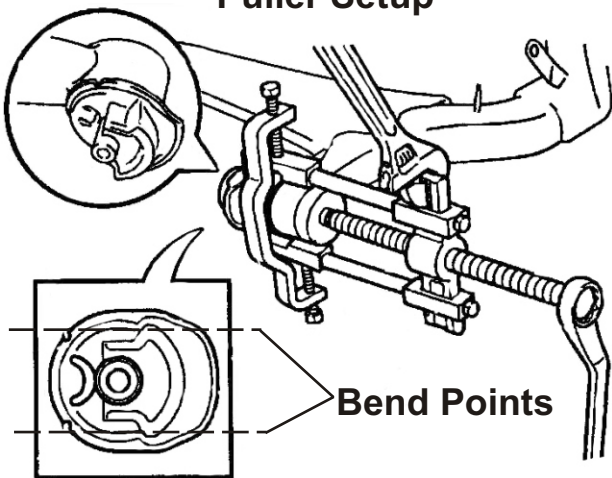
Parts list:

- 2 - 3455 (inner bushing).
- 2 - 3454 (inner support bushing).
- 2 - 3453 (outer bushing).
- 2 - 15.10.465.39
(sleeve .875"O.D. x .563" I.D. x 3.750"LG).
- 4 - 9.11108 (grease).
- 1 - 17451 (this instruction sheet).



Apply grease to all metal parts that contact the polyurethane bushings.

Puller Setup

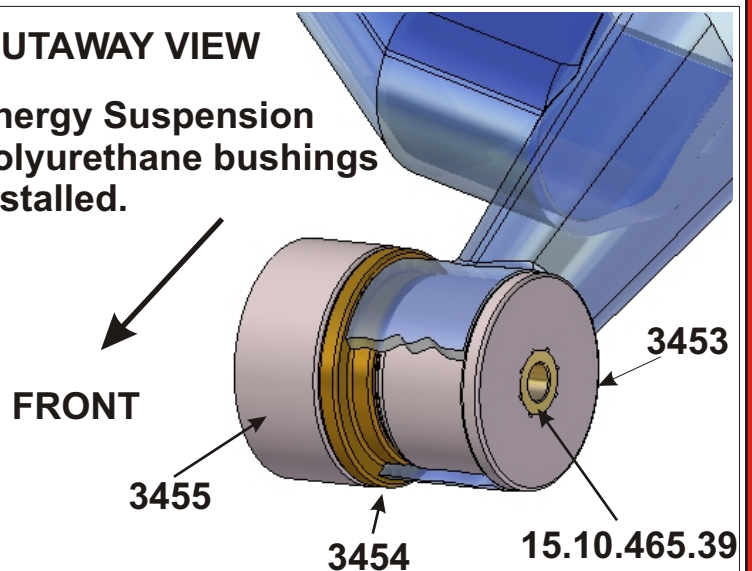


REMOVAL OF REAR AXLE CARRIER BUSHINGS:

Using a chisel and a hammer, bend the 2 portions of the bushing rib until the claws of a puller set can be hung. The I.D. of the axle beam is $\text{Ø}2.555''$, use something with a O.D. of $\text{Ø}2.500''$ to push out the bushing.

CUTAWAY VIEW

Energy Suspension
Polyurethane bushings
installed.



17451

23/JUN/05 BRH