



FITTING INSTRUCTIONS

Part Number(s): **3480010**
Product Description: **SUMMIT WINCH BAR SUIT BRONCO**
Suited to vehicle/s: **2021 FORD BRONCO**
Optional Accessory: **3580010 - LED FOG LAMP KIT (FOR VEHICLES WITHOUT FACTORY-FITTED FOG LIGHTS).**

Compatible	Zeon 8	VR EVO 10	Magnum 8
Winches:	Zeon 8s	VR EVO 10s	Magnum 8s
	Zeon 10	M8000	Magnum 10
	Zeon 10s	M8000s	Magnum 10s
	Zeon 10 Platinum	XD9	Smittybilt X20 10lbs cable
	Zeon 10-s Platinum	XD9s	Smittybilt X20 10lbs rope
	VR EVO 8	9.5XDC	
	VR EVO 8s	9.5XDC-s	

WARNING

NOTE THE FOLLOWING:

- ◆ This product must be installed exactly as per these instructions using only the hardware supplied.
- ◆ In the event of damage to any component, contact your nearest authorised ARB stockist. Repairs or modifications to the impact absorption system must not be attempted.
- ◆ Do not use this product for any vehicle make or model, other than those specified by ARB.
- ◆ Do not remove labels from this bull bar.
- ◆ This product or its fixing must not be modified in any way.
- ◆ The installation of this product may require the use of specialized tools and/or techniques.
- ◆ It is recommended that this product is only installed by trained personnel.
- ◆ These instructions are correct as at the publication date. ARB Corporation Ltd. cannot be held responsible for the impact of any changes subsequently made by the vehicle manufacturer.
- ◆ During installation, it is the duty of the installer to check correct operation/clearances of all components.
- ◆ Work safely at all times.
- ◆ Unless otherwise instructed, tighten fasteners to specified torque.

ARB 4x4 ACCESSORIES

Corporate Head Office

42-44 Garden St
Kilsyth, Victoria
AUSTRALIA 3137

Tel: +61 (3) 9761 6622
Fax: +61 (3) 9761 6807

Australian enquiries
North & South American enquiries
Other international enquiries

sales@arb.com.au
sales@arbusa.com
exports@arb.com.au

www.arb.com.au

GENERAL CARE AND MAINTENANCE

By choosing an ARB Bar, you have bought a product that is one of the most sought after 4WD products in the world. Your bar is a properly engineered, reliable, quality accessory that represents excellent value. To keep your bar in original condition it is important to care and maintain it following these recommendations:



- Prior to exposure to the weather your bar should be treated to a Carnauba based polish on all exposed surfaces. It is recommended that this is performed on a six-monthly basis or following exposure to salt, mud, sand or other contaminants.
- As part of any Pre-Trip Preparation, or on an annual basis, it is recommended that a thorough visual inspection of the bar is carried out, making sure that all bolts and other components are torqued to the correct specification. Also check that all wiring sheaths, connectors, and fittings are free of damage. Replace any components as necessary. This service can be performed by your local authorized ARB Stockist.

FITTING REQUIREMENTS

REQUIRED TOOLS FOR FITMENT OF PRODUCT:

METRIC SOCKET SET	METRIC WRENCH SET
PHILLIPS HEAD SCREWDRIVERS	SMALL SPIRIT LEVEL
POWER DRILL 13MM (1/2") CAPACITY	13/32 (10.5MM) DRILL BIT
TORQUE WRENCH (9-95NM)	MARKING PEN
HALF ROUND FILE	SOFT HAMMER
METRIC TORX KEY SET	METRIC ALLEN KEY SET
WIDE MASKING TAPE	TAPE MEASURE OR RULER

HAVE AVAILABLE THESE SAFETY ITEMS WHEN FITTING PRODUCT:

Protective eyewear		Hearing protection	
--------------------	---	--------------------	---

NOTE: 'WARNING' notes in the fitting procedure relate to OHS situations, where to avoid a procedure be employed. If these notes and warnings are not heeded, injury may result.

FASTENER TORQUE SETTINGS:

SIZE	Torque (Nm)	Torque (lb-ft)
M6	9	7
M8	22	16
M10	44	32
M12 (PC8.8)	77	57
M12 (PC10.9)	95	71

PARTS LISTING

APPLICATION.	PART NO.	QTY	DESCRIPTION
BAR FITMENT	3163221	1	COVER RADAR GRILLE CENTRE MNT
	3195397	2	COATED RECOVERY HOOK USE 3195358
	3195402	8	SPACER CHASSIS MNT SUIT BRONCO
	3500880	1	GRILLE SPLIT PAN KIT
	3540250	1	OE F/LIGHT MNT KIT SUIT PXIII
	3750122	1	BRACKET US PLATE SWING
	3752754	1	BRACKET NUMBER PLATE MNT US FLIP
	3753028	1	RADAR BRKT SUIT BRONCO SUMMIT
	3753034	1	RH OUTER CHASSIS BRKT SUIT BRONCO SUMMIT
	3753035	1	RH INNER CHASSIS BRKT SUIT BRONCO SUMMIT
	3753036	1	LH OUTER CHASSIS BRKT SUIT BRONCO SUMMIT
	3753037	1	LH INNER CHASSIS BRKT SUIT BRONCO SUMMIT
	3753038L&R	1	UPPER CHASSIS BRKT PAIR SUIT BRONCO
	5100200	1	BUFF KIT 2PCE FRONT SECTION
	5100210	1	BUFF KIT 2PCE REAR UPRIGHT BAR
	6523170	1	PANEL WINCH COVER
	6523516	1	STONE SHIELD SUIT BRONCO
	6523517L&R	1	PANEL WING PAIR SUIT BRONCO
	6821287	1	LAMP LED INDICATOR CLEARANCE
	180302	8	CABLE TIE 4.8 X 180 MM BLACK
	2125484	2	RECOVERY POINT WARNING LABEL
	3163222	2	PLUG SNSR BLANKING PAIR
	3163254	4	PLUG BLANKING BLACK 34.9mm
	3540290	1	SENSOR SURROUND KIT (4)
	3753029	1	CAMERA BRKT FRONT SUIT BRONCO
	3753030	1	CAMERA BRKT REAR SUIT BRONCO
	3753031L&R	1	BRKT STONE SHIELD PAIR SUIT BRONCO
	3759874	2	BRKT GRILL LC200 B/BAR 15 ON
	4581048	4	WASHER SPRING M10x1/8x1/8 TZP480
	4581082	12	WASHER FLAT M6x20 ZNB480
	4584295	18	WASHER FLAT M6x12 BZP
	4584329	15	WASHER FLAT M6x12.2x1.2 BTZP480
	4584361	4	WASHER FLAT M10x25x4 HV300 TZP480
	4584363	15	WASHER FLAT M12x26x4 HV300 TZP480
	4584366	2	WASHER FLAT M10x30x4 HV300 TZP480
	4584393	1	WASHER FLAT M8x19x2 HV300 BTZP480
	4584394	6	WASHER FLAT M10x24x6 ZP
	4721520	2	TUBE CRUSH MOUNT HJ100
	4721820	1	HOSE 4.5 ID 500MM LONG
	5848302	2	PACKER RB NYLON
	6151173	25	NUT FLANGE M6 ZNB480 SERRATED
	6151213	43	BOLT HXHD M6x1.0x20 PC8.8 ZNB480
	6151223	2	NUT HEX NYLOC M6x1.0 ZNB480
	6151235	1	NUT FLANGE M8x1.25 BZP

	6151262	1	BOLT HXHD M8x1.25x20 PC4.6 BZP
	6151300	16	NUT CAGED M6 2.6-3.5 956-C
	6151321	6	NUT FLANGE M10x1.5 PC8.8 TZP480 SERRATED
	6151322	2	NUT HEX NYLOC M10x1.5 PC8 TZP480
	6151384	7	SCREW ST PHD 5.2x16 PH PC8.8 BTZP480
	6151480	6	NUT FLANGE M12x1.25 PC8.8 TZP480 SERRATED
	6151509	2	BOLT HXHD M10x1.5x110 PC8.8 ZNS480
	6151638	6	BOLT HXHD M10x1.5x40 PC8.8 TZP480
	6151817	6	BOLT HXHD FL M12x1.25x40 PC11.9 ZAB1000
	6151967	6	BOLT HXHD FL M12x1.25x60 PC10.9 ZNB480 TNT15
	6152023	6	NUT FLANGE M12x1.25 PC10.9 ZAB1000
	6821116	4	GROMMET NYLON SNAP IN TYPE
	6821189	4	GROMMET RND FC 1500 080 090

PREPARATION OF VEHICLE



1. Remove plastic panels covering the bolts on the front bumper. (On some models these will also include the parking sensors).



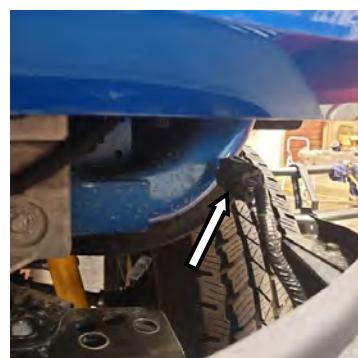
2. Unclip the parking sensors from the housings but leave them connected to the loom.



3. Remove 6x bolts holding the under tray on and retain for refitting the under panel later.



4. Remove the 3x bolts per side holding the bumper on and discard.
5. Disconnect wiring loom as shown.
6. Remove the bumper.





7. If fog lights are installed, remove these and set aside for later.



8. Remove the wiring harness for the parking sensors and fog lights and set aside for fitment into the ARB bar.

Note: mark the loom so it can be installed the correct way in the ARB bar.



9. Remove factory nut plates by loosening plastic nut on back of the chassis end plate.



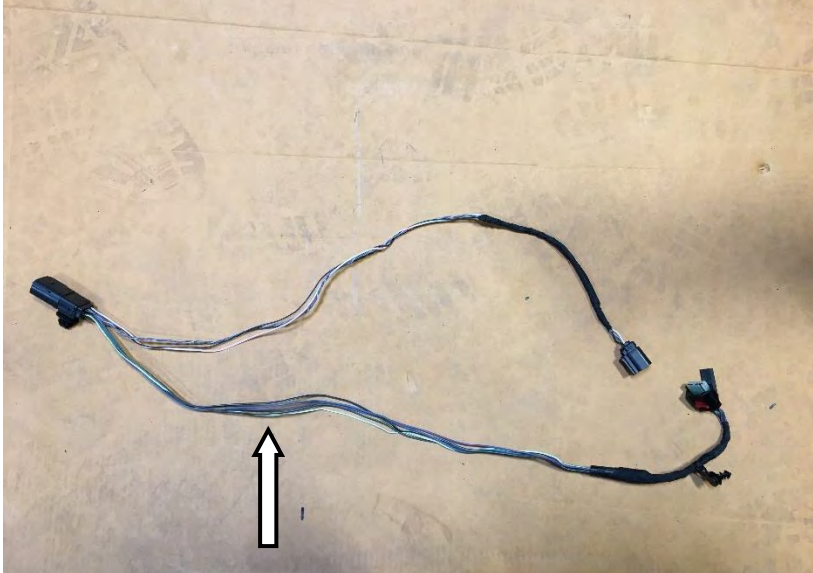
10. Remove bolts holding on factory tie down points and set aside. If these have the integrated intercooler mounts, they will be re-used.



11. Remove factory radar cover and radar (if optional) by removing the 3x screws under the cover. Set the radar aside as it will be re-used. Discard the radar cover.



12. Remove the 4x bolts holding the intercooler shutters onto the vehicle. Remove the connector and clips to get the harness off the shutters.



13. Using a razor, carefully strip back the loom all the way to the connector to allow for more movement in the harness. Tape the exposed wires back up with black electrical tape or cover with flexible conduit.

Warning: Cutting operations with a razor can be dangerous. Care must be taken to avoid injury.

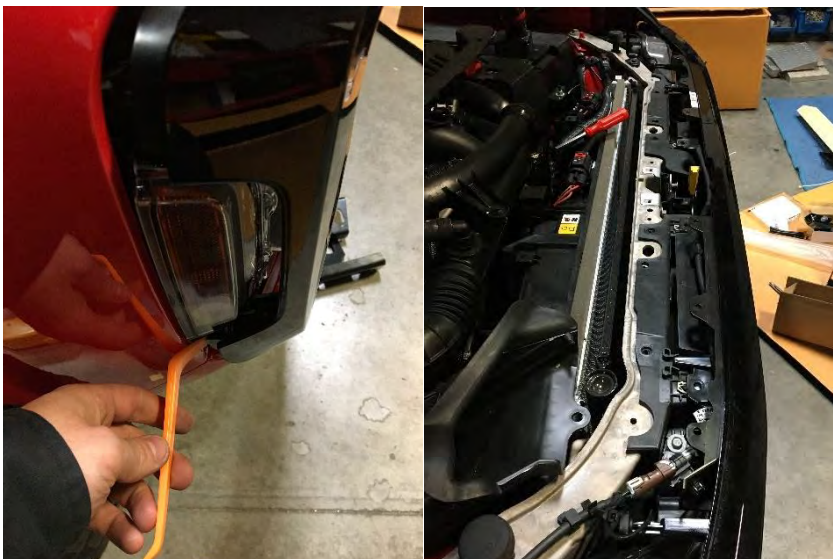


14. Fit intercooler shutter back in place with the extended camera loom routed as shown.



15. Remove clips holding radiator cover panel in the engine bay.

16. Remove radiator cover panel.



17. Remove 4x bolts at the top of the fascia.

18. Using a trim tool, loosen fascia so that the front facing camera and washer fluid lines can be accessed.





19. Remove forward facing camera by loosening 3x screws holding the rear plastic plate on.
20. Disconnect wiring and wiper fluid line from the camera.



21. Using the 500mm of washer fluid line, extend the existing line to allow it to reach the relocated camera.



22. Both the wiring and washer fluid line will need to be routed to the front of the Sumit bar. Trace both back to the headlight area and then reroute under the fascia.





23. Remove the 4x screws and clips holding the wheel liners in place.



24. Peel back wheel liners to gain access to the rear of the headlight.



- 25. Disconnect the plug from the back of the headlight.
- 26. Carefully strip back the wire casing on the following wires to allow for soldering.
- 27. Following fitting instructions 3789197 supplied in kit 6821287; attach the LED combination lamp looms (also supplied in same kit). Vehicle coloured wires can be found in the positions indicated
- 28. Reconnect the plugs to the back of the headlights.
- 29. Reinstall screws and clips to wheel liners.

Notes:

-Use a test light or multi-meter to pick the appropriate wire to attach the loom to.

-Use solder to connect the joins.

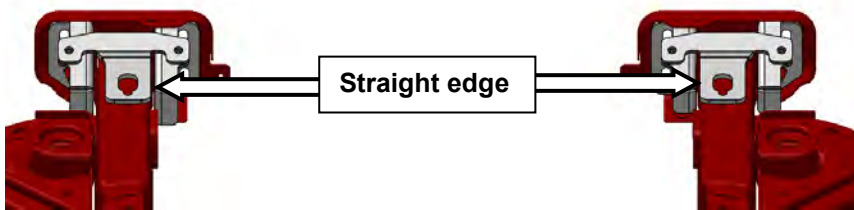
-Cover each join with either insulation tape or heat shrink tube.

- Use cable ties to secure all wiring.

WIRE COLOURS		
Function	LED Wire	Vehicle Wire
Ground	Black	LHS: Black w/ green RHS: Black w/ white
Indicator	Green	LHS: Blue w/ green RHS: Yellow w/ white
Clearance	Red	LHS: Green w/ orange RHS: Brown w/ yellow

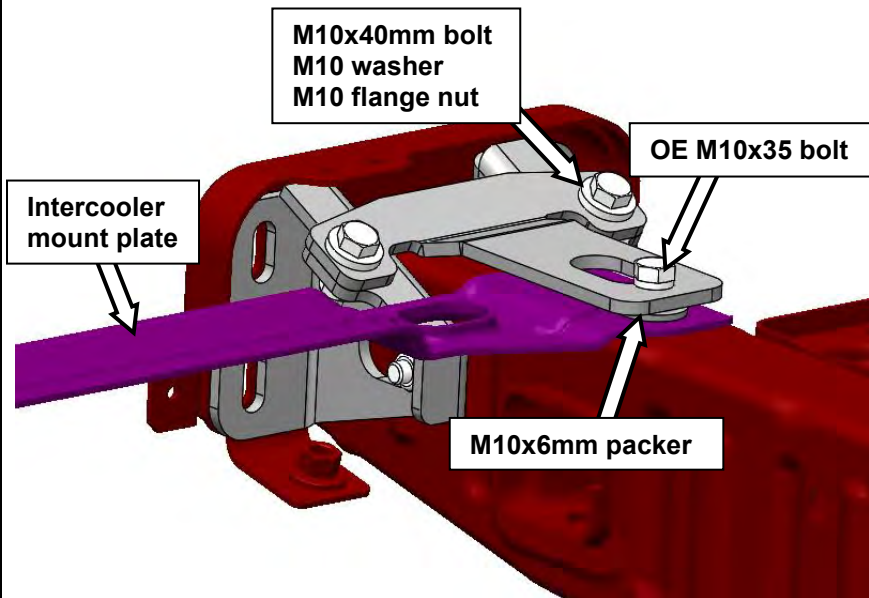
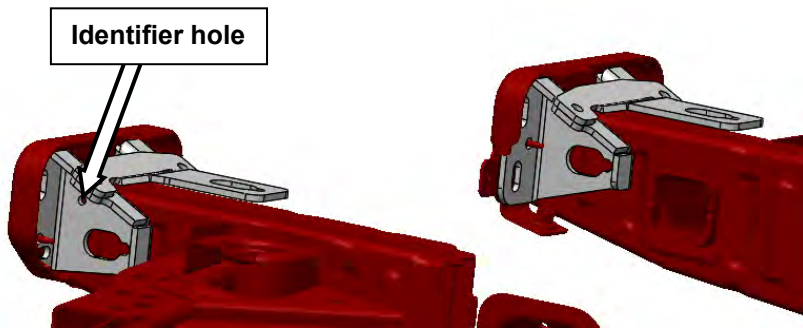


30. Loosen the top intercooler mount plate. This is a tight area to get tools into. Remove bolts and set aside.



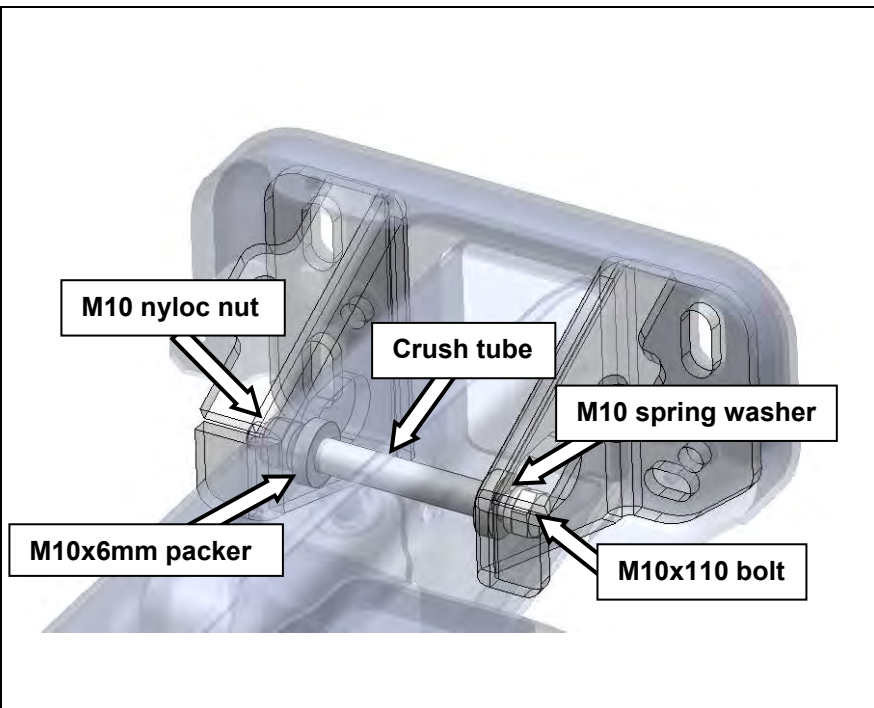
31. Chassis mounts are to be assembled as shown. The LHS brackets have identifier holes on them as the brackets are not symmetrical from side to side.

The top bracket has the straight edge on the inside of the chassis as shown.




32. Sit the upper chassis bracket on top of the intercooler support bracket and use the OE M10 bolts removed in step 30 along with M10x6mm packers to fasten to the chassis. Leave finger tight.

33. Using 2x M10x1.5x40 bolts, M10 washers and M10 flange nuts attach the top chassis bracket to the side chassis brackets as shown.



34. Using the 2x M10x110mm bolts, 6mm packers, M10 spring washers, nyloc nut and crush tube, assemble the lower bolt for the chassis brackets as shown.

Tighten all 4 fasteners to specified torque.

 M10 – 44Nm



Note: Spring washers sit on outside of brackets and 6mm packers sit on the inside.



35. Using one of the 2mm chassis packers as a template, mark the pinning hole on both chassis end plates as shown.

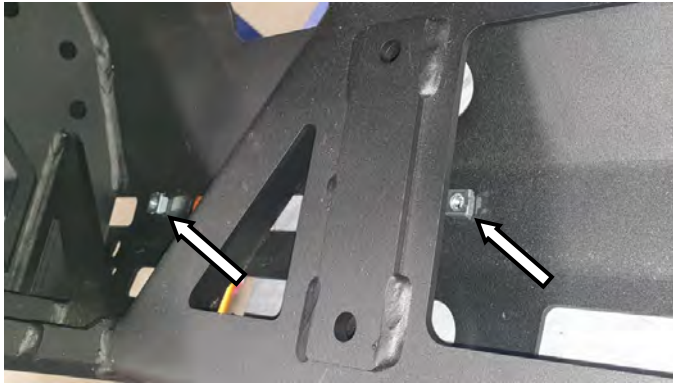


36. Drill pinning hole using a 13/32 (10.5mm) drill bit. Cover exposed metal with anti-corrosive paint.

37. Repeat for other side.

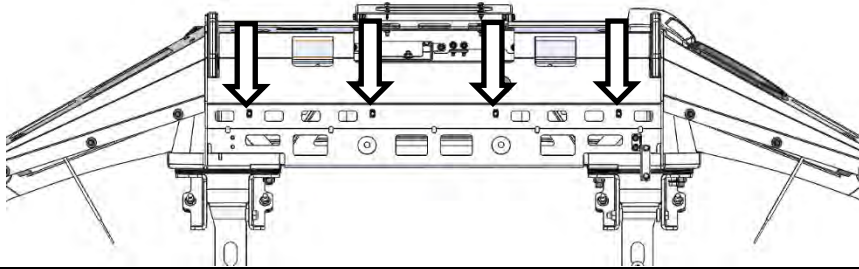


BAR ASSEMBLY



38. Install 4x M6 cage nuts into the bottom of the bull bar.

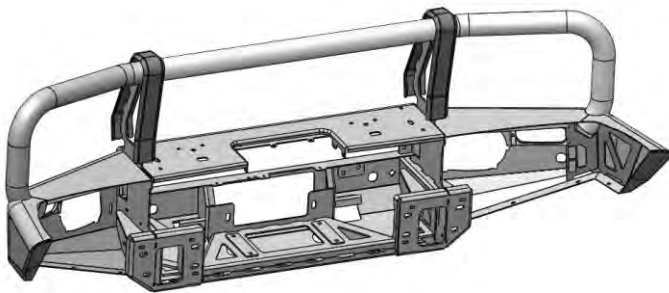
Note: The nuts need to inside of the bull bar.



Note: If fitting a winch proceed from here. If no winch is being fitted continue from step 53.

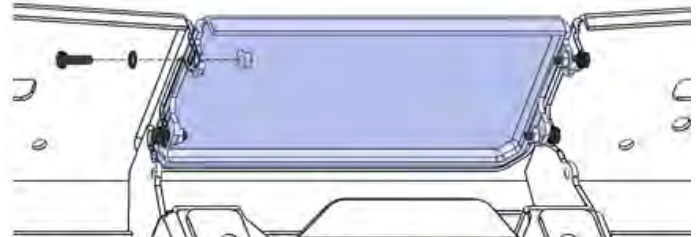
This ARB bar has been designed to carry a variety of Warn & Smittybilt winches.

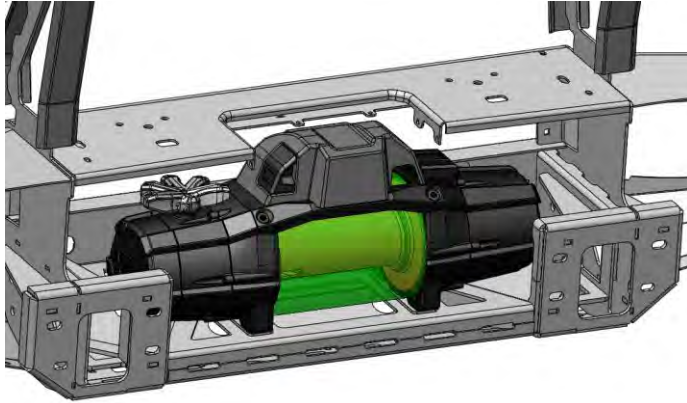
Note: Before fitting the winch to the bar, ensure that you have read and understand the fitting instructions supplied with the winch. These instructions only cover the fitment of the winch and control box to the bar. They do not cover the wiring procedure. For this refer to the winch manufacturer's instructions.



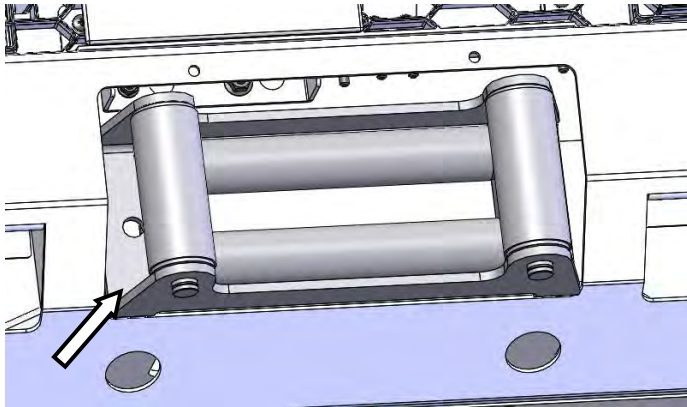
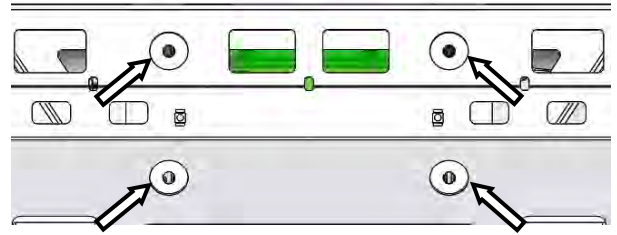
39. Sit bar upright on a soft surface.

40. If there is a winch cover panel installed, remove now.





41. Sit winch on the bar's winch cradle in position as shown. Using hardware supplied with the winch, bolt the winch in place from underneath the bar with bolts going through the access holes as shown.
42. Torque fasteners to winch manufacturer specifications.

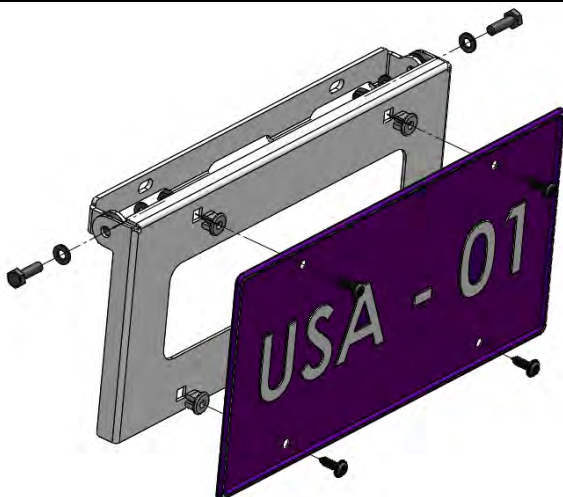


43. Turn the bar over onto the back face.
44. Attach the roller fair lead (RFL) or hawse to the bar and winch using the hardware supplied with the winch.
45. Adjust RFL height to suit the drum size on the winch.
46. Torque to winch manufacturer specifications.

Note: To make it easier to get to the bolt holes in the RFL, remove the vertical roller pins and rollers.

FLIP UP NUMBER PLATE KIT FITMENT – FOR BARS WITH WINCHES FITTED.

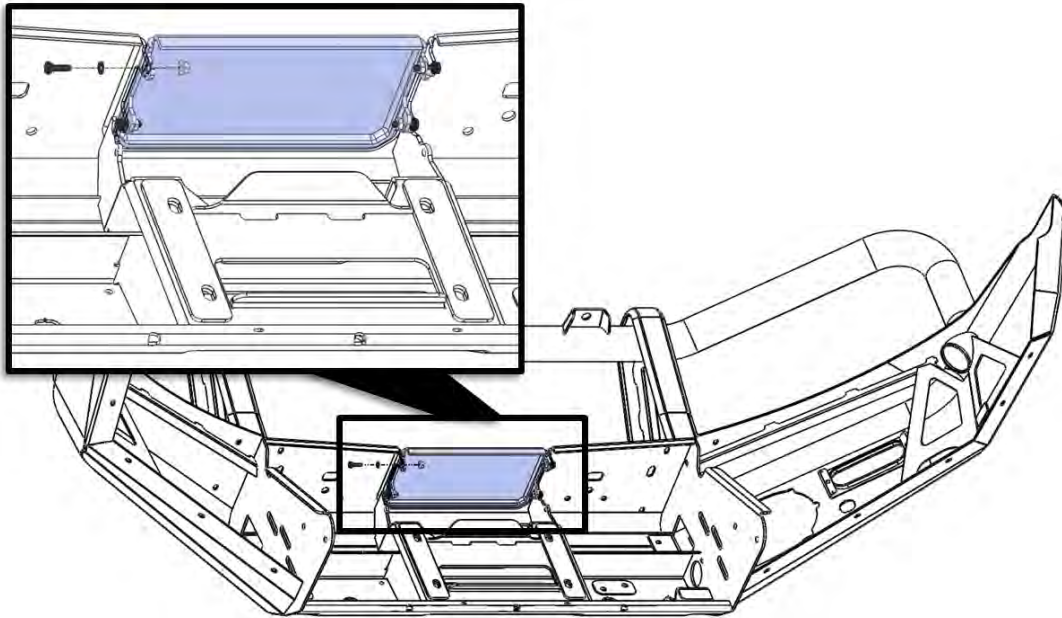
47. Assemble the smaller of the two number plate brackets to the front of the bar using 2x M6x20 hex bolts, washers and flange nuts provided.
48. Assemble the larger bracket to the smaller one using 2x M6x20 hex bolts, washers, packers and flange nuts provided.
49. Secure the number plate to the front bracket using 4x pan head screws and plastic gromets as shown in the diagram on the next page.
50. Secure assembly to lower pan of bull bar using black M6x20 hex heads bolts, washers and flange nuts (provided with the bull bar fitting kit).



51. Ensure all cables are attached as per the winch manufacturer's instructions. Ensure cables are securely attached and cannot rub on any sharp edges.
52. Tidy the cables and secure using cable ties leaving the 2 long power cables free to be connected to the vehicle's battery later.



53. If no winch is being fitted, install the winch cover panel using 4x M6x20 hex head bolts, washers and flange nuts as shown below.
54. Number plate can be fitted to the front of the bull bar using 2x M6x20mm bolts, washers and flange nuts if there is no winch fitted.



Note: The following steps show the fitment of the plastic moulded parts. The mouldings are supplied in kits along with all fasteners required for fitment. It is important that the fasteners supplied with each kit are only used for the mouldings from the same kit.

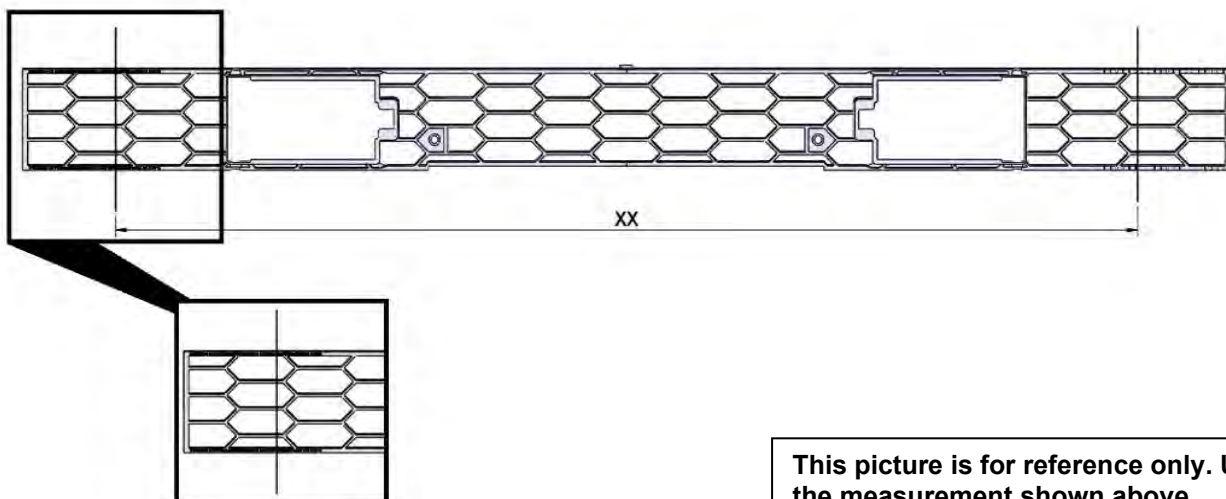
The kits included in this bar kit are as follows:

55. Layout the contents of each of the following kits ensuring the contents are kept separate from each other.

Kit No.	Description
5100200	BUFF KIT 2PCE FRONT SECTION
5100210	BUFF KIT 2PCE REAR UPRIGHT BAR
3500880	SPLIT PAN MESH KIT
3163082	FOG SURROUND KIT

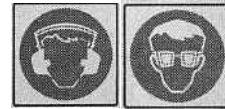
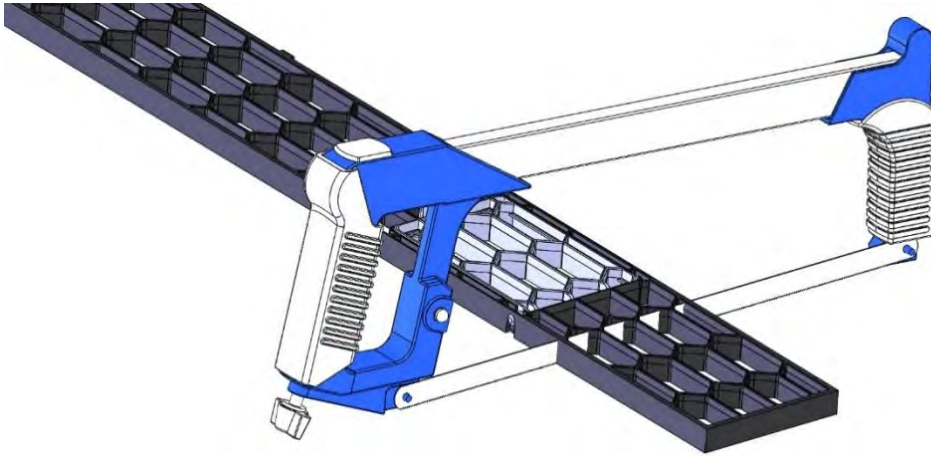
56. Mark the grille panel to be cut at the 850mm marks at each end on the back face.

Note: When marked, double check the measurement with a measuring tool.

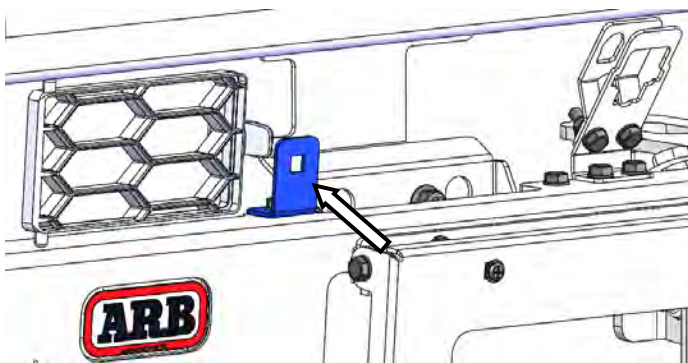


This picture is for reference only. Use the measurement shown above.

57. Use a hacksaw or similar cutting tool to carefully cut the grille panel at the positions marked in the step above.
58. Discard the off cuts and clean up the cut edges using a file or sandpaper.

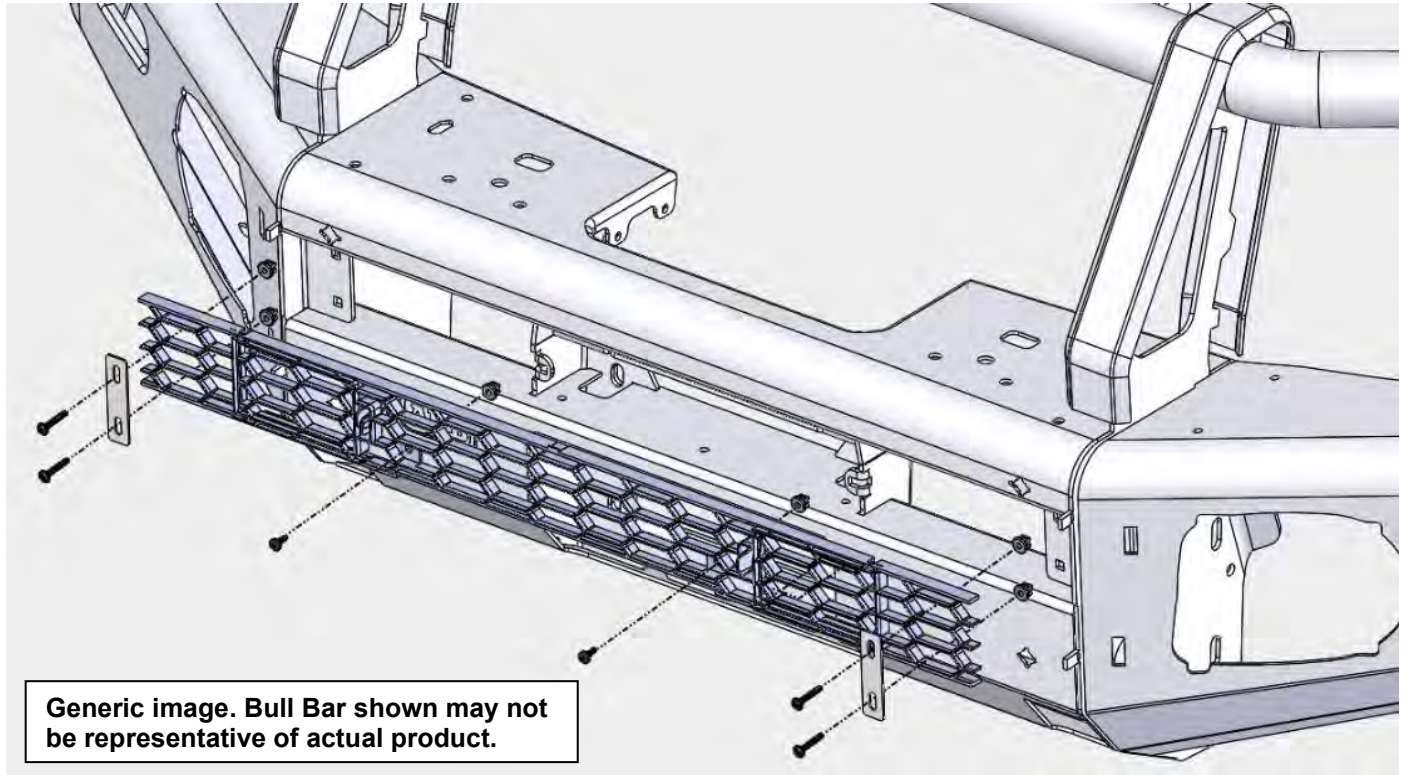


Warning: Cutting operations can result in flying debris, safety glasses should be worn.



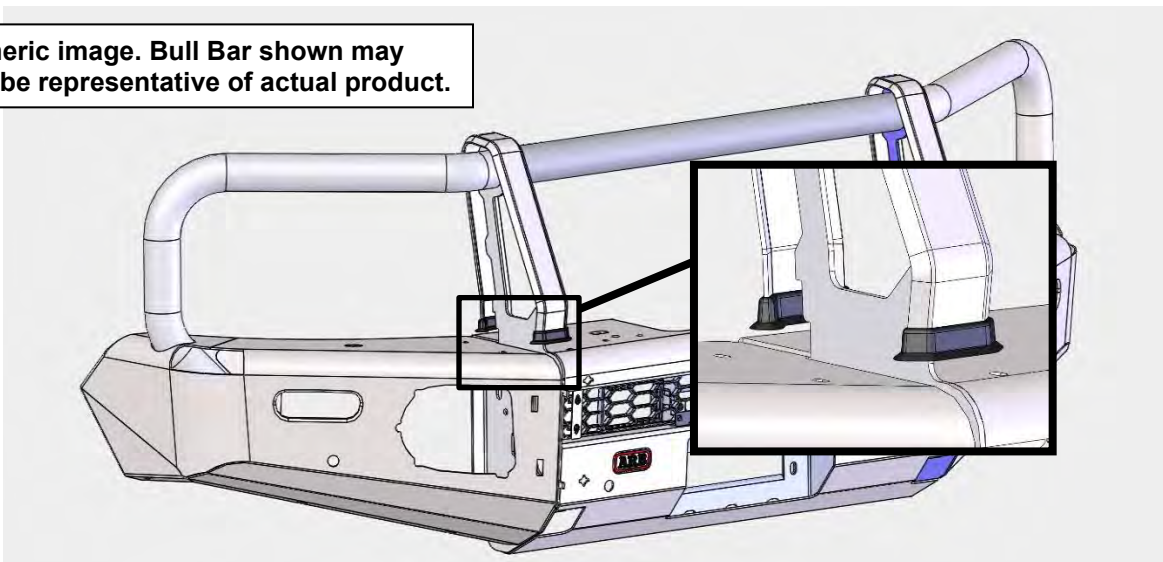
59. Using an M6x20 bolt, flange nut, and washer, attach the grille bracket into the centre locations as shown.

60. Insert the 6 x plastic grommets into the 6 square holes in the front face of the bar.
61. Insert the grille into the bar so that the hatches open outward (facing the front of the bar).
62. Attach the grille to the centre of the bar using the short screws into the grommets fitted above.
63. Attach the ends of the grille to the bar using the longer screws, through the clamp plates into the remaining grommets.



64. Fit the rubber intersection mouldings to the base of each upright cover strap.

Generic image. Bull Bar shown may not be representative of actual product.

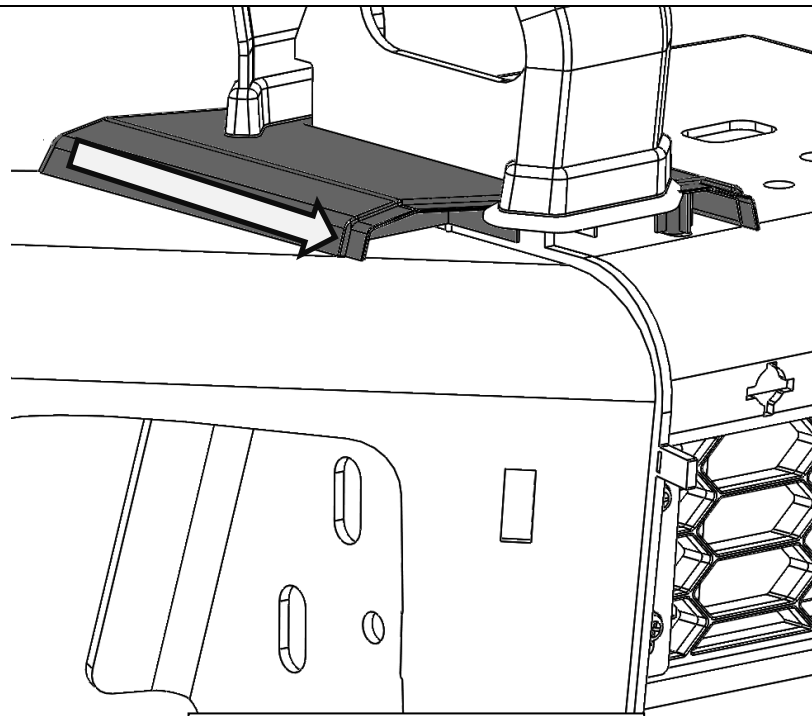


65. From the rear of the bar, slide the rear buffer sections under the rubber mouldings.

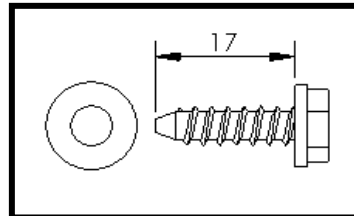
Fit 4 x screws and washers. Do not tighten screws. Leave enough play in buffers for adjustment later.

Note: Ensure that the skirts of the rubber intersection mouldings are not folded back on themselves and are sitting flat against the buffers.

Generic image. Bull Bar shown may not be representative of actual product.



Fit washers under screw heads

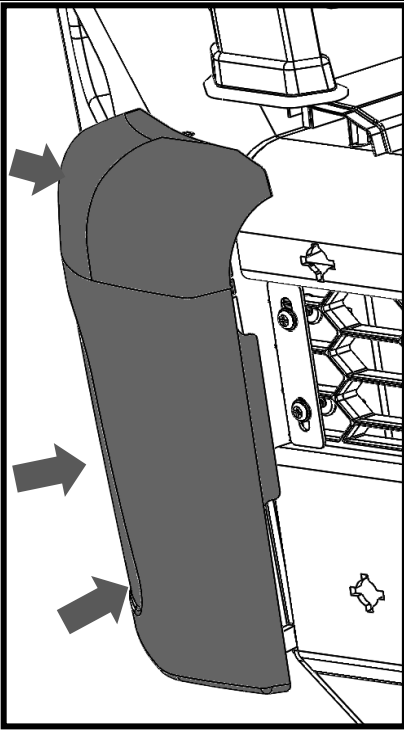


66. By aligning the front buffer with the tongue of the rear buffer, attach the front buffers to the front face of the bar. Ensure each buffer sits flat against the face of bar and is keyed into the top section of the rear buffer.

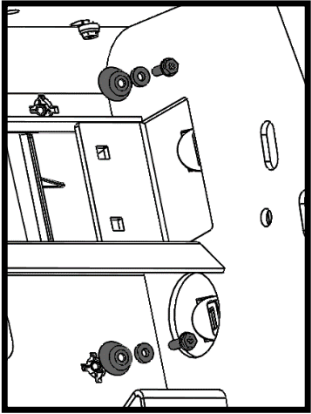
Secure wing side using retaining clips.

Secure inner side using the angled cup washers, flat washers and screws.

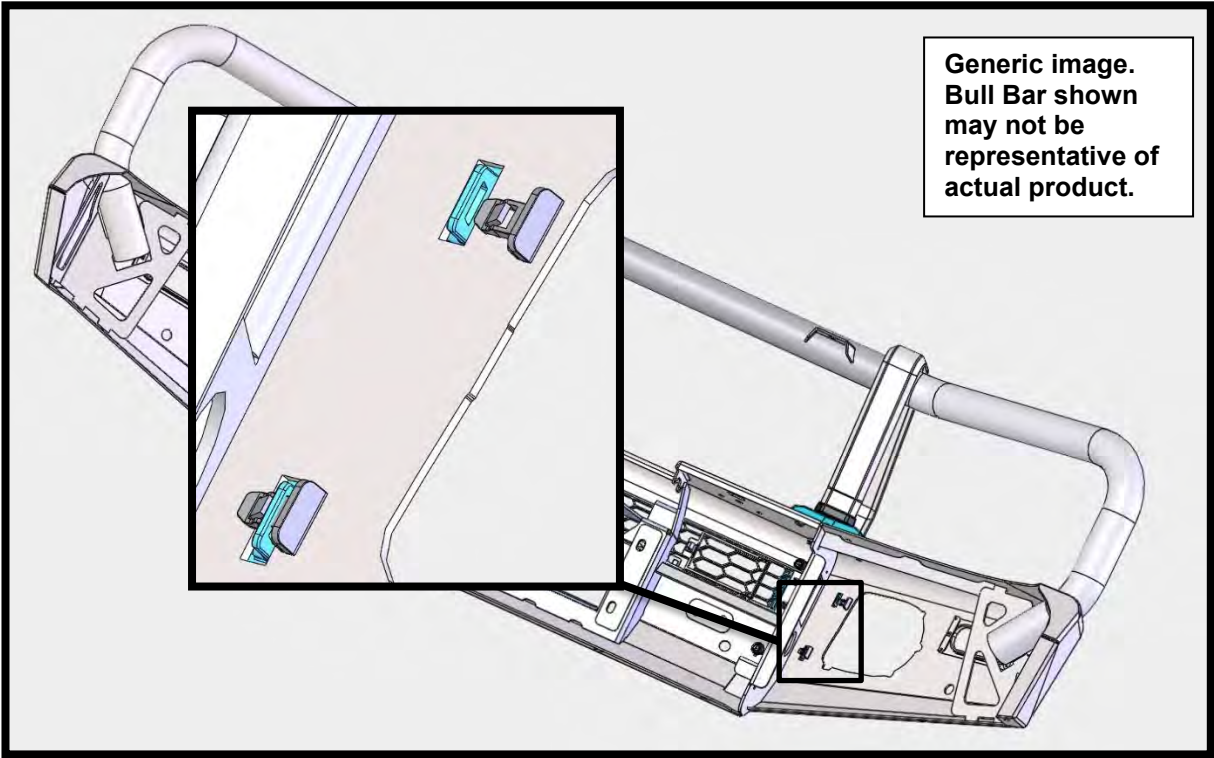
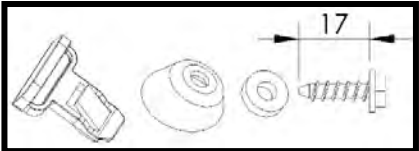
The widest point of the cup washers goes to the top of the bar.



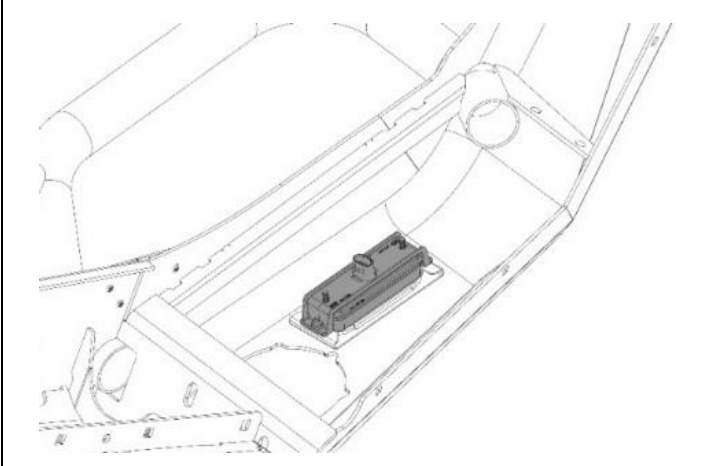
Generic image.
Bull Bar shown
may not be
representative of
actual product.



Fit washers under screw heads.

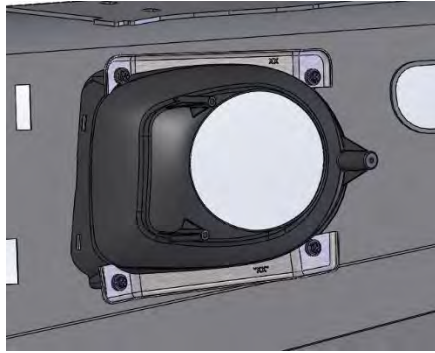
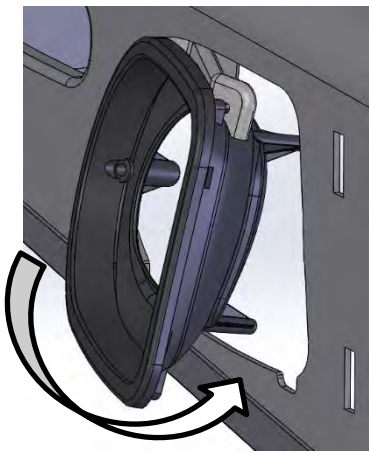


Generic image.
Bull Bar shown
may not be
representative of
actual product.



67. Fit the small plastic grommets to the bar and attach the combination LED lamps to the bar using the screws provided with the lamp kit.

Caution: Cable tie all cables together and keep all cables clear of sharp edges and moving parts.



68. Assemble and install combination light surrounds (p/n 3540250) as per instruction no. 3789882 supplied with surround kit, fitting the OE fog lights if optioned.

69. Note: Non factory fog fitted vehicles require fog light kit 3580010.

HINT: loosely fit top bracket to fog light surround, then insert into bull bar aperture. Fasten lower bracket, tighten all screws.


70. Connect indicator looms to combination LED Indicator/Clearance light.


71. If installing fog lights to non-factory equipped vehicles, install ARB wiring loom 3500520 and switch into vehicle. Refer to instructions supplied with loom. Place switch inside cabin in a suitable position.

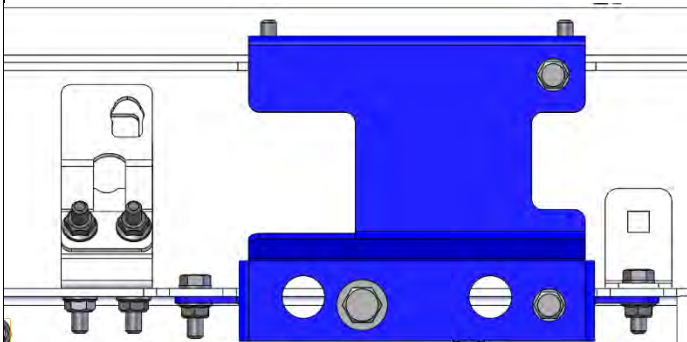


72. Install the radar module onto the radar bracket using 2x M6x1.0x20mm bolts, 1x M8x1.25x20mm, washers and flange nuts.

73. Install assembly into front of the bar using 3x M6x1.0x20mm bolts, washers and flange nuts.

 M6 – 9Nm

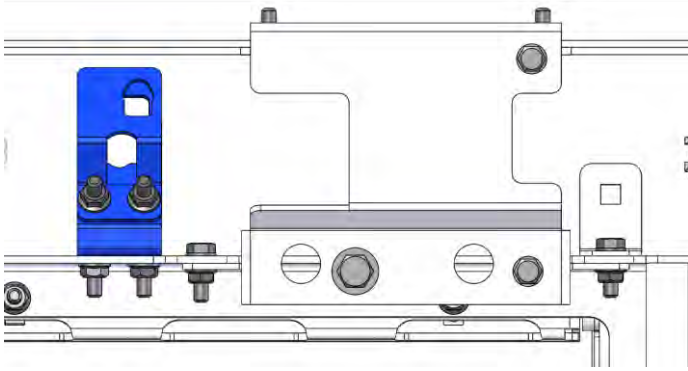
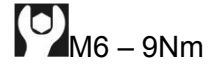
 M8 – 22Nm





74. Using the forward facing camera removed earlier, install into the two camera brackets using 2x M6x20mm bolts, flange nuts, and washers.

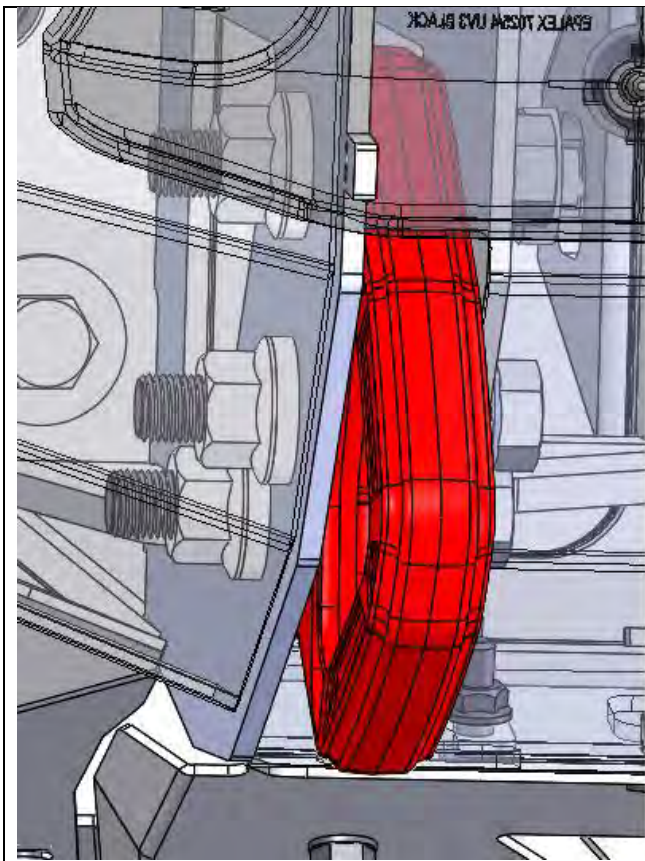
75. Install the entire assembly into the front of the bar using 2x M6x20 bolts, flange nuts, and washers.




76. Using an oscillating multi-tool, cut the grille around the radar and the camera as shown.

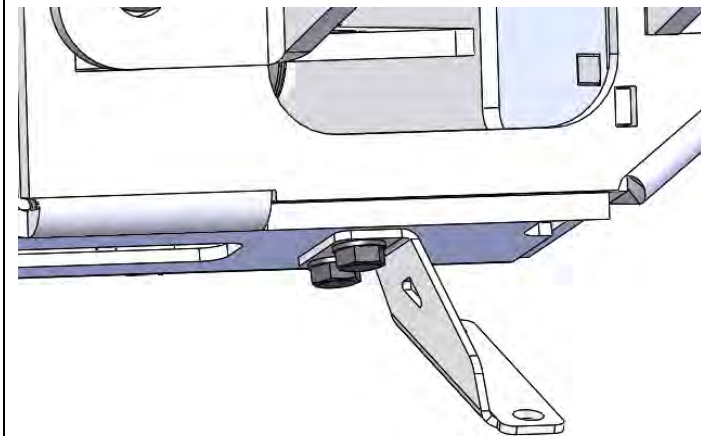
77. Fit plastic radar cover over radar.





78. Insert recovery points in the orientation shown below and attach using 3x M12x60 flange head bolts, hardened washers, and flange nuts.

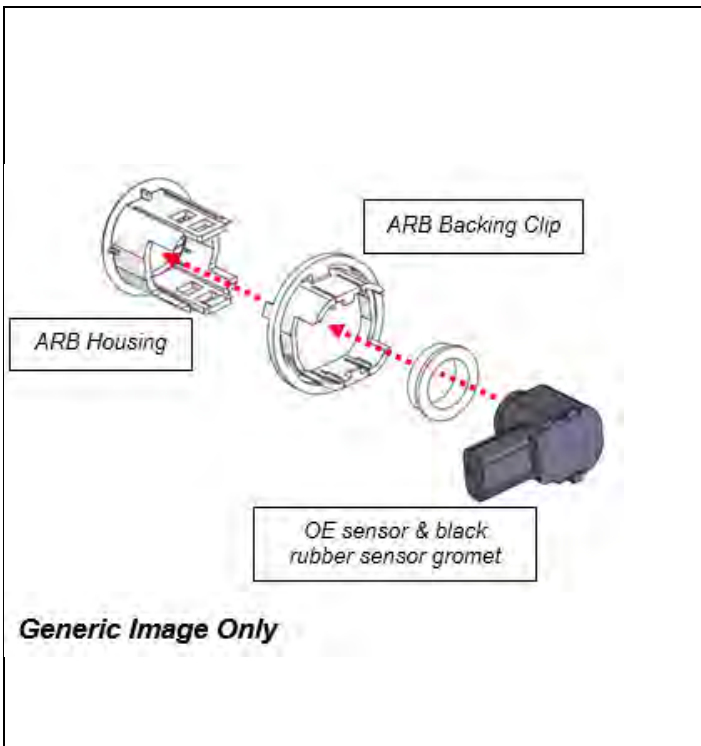
 M12 (PC10.9) – 95Nm



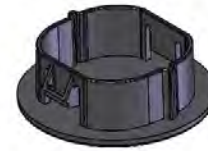
79. Install lower pan brackets using 2x M6x20 bolts, flange nuts, and washers.

 M6 – 9Nm





80. Install 2x **outer** parking sensor housings into the wings of the bumper if parking sensors are optional. Otherwise, install blanking plugs.



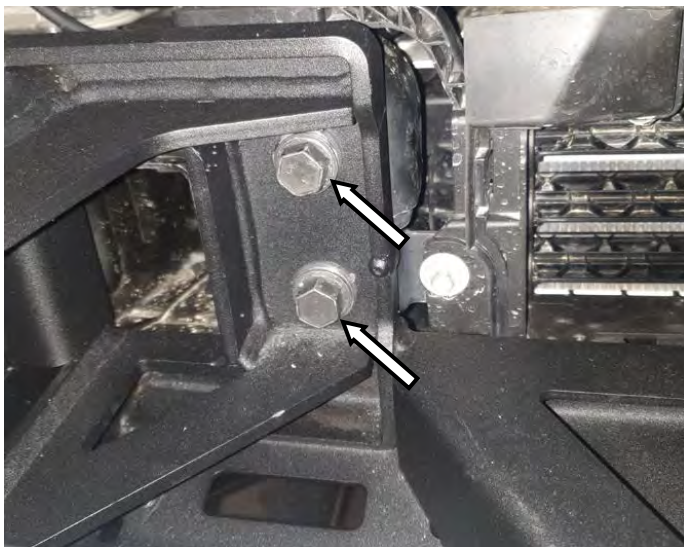
Note: Ensure the tails of the sensors all face inboard and that the clips have properly engaged on the housings and the rubber sensor gromet is seated correctly.



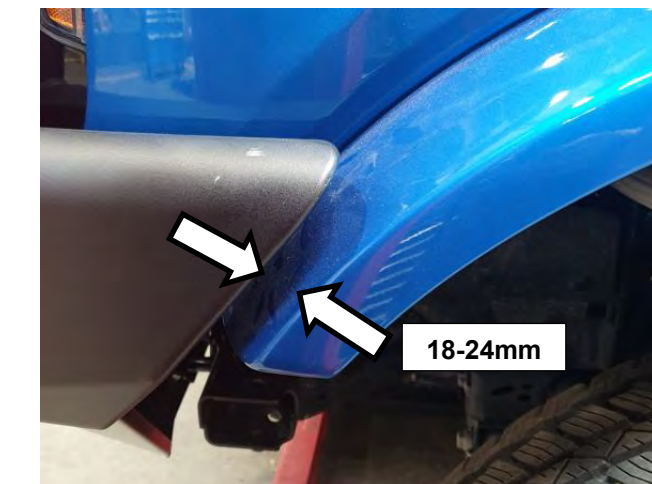
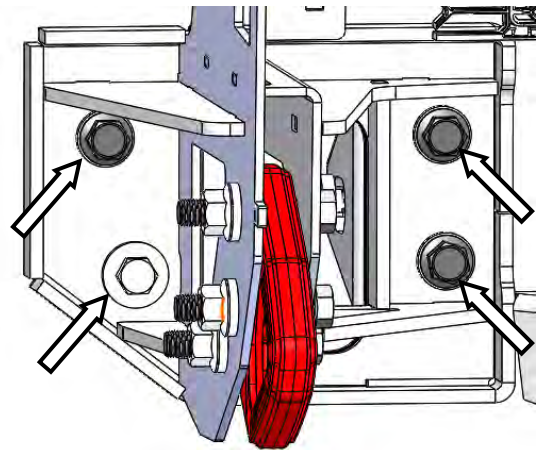
81. Using harness removed from the stock bumper, route it through the new bumper to the parking sensor housings (if installed) and foglights.



82. Using two people or a lift table, lift the bumper up to the vehicle. On the initial fitment, it is recommended to use two of the chassis mount spacers. If you have a winch, the control box may contact the plastic. (Ignore it for the time being, it will be trimmed later).



83. Using 3x M12x40 flange head bolts, hardened washers, and flange nuts, attach the bumper to the vehicle. Also install a M10x40mm flange head bolt, washer and flange nut to the drilled pinning hole. Leave finger tight for now.



84. Take measurements from the bumper wing panels to the flares. This measurement should be 18 to 24mm. Removing or adding the 2mm chassis mount spacers can tune this measurement.

85. Adjust the bumper left to right until it sits central.



86. If a winch is installed, continue following the instructions from here. If a winch is not being installed, skip to step 93.
87. If the control box is contacting the fascia, carefully mark out with painters tape where the fascia needs to be trimmed. Give a minimum of 10mm of clearance.



88. Remove the bar.
89. Remove the lower fascia area that will be trimmed. This can just be carefully pulled away from the vehicle starting in the corner.




90. Using an oscillating multi-tool, cut the fascia in the areas marked in step 87.
91. Once cut, reinstall fascia.
92. Refit bull bar and adjust as per steps 82-85.




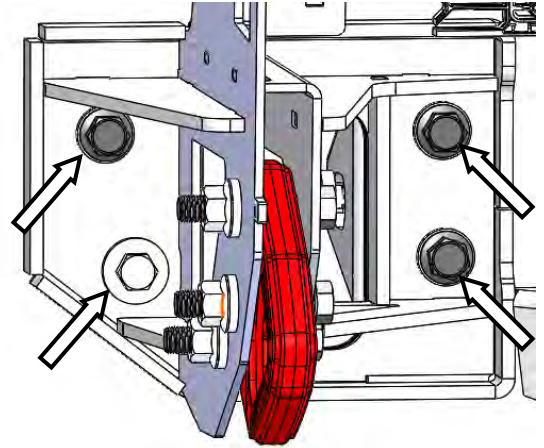
Warning: Drilling operations can result in flying metal debris, safety glasses should be worn.



93. Tighten the 3x M12 and 1x M10 chassis mount bolts per side to the specified torque. Access to the inboard bolts can be made through the parking sensor holes and lower holes in the lower pan as shown.

 M10 – 44Nm

 M12 (PC10.9) – 95Nm

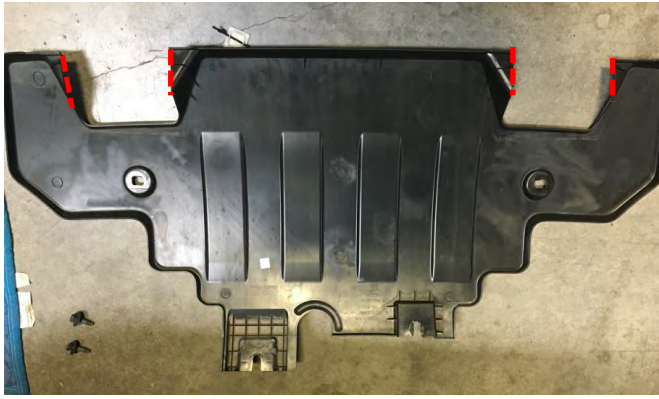


94. Route the wiring/tubing for the forward facing camera and radar through the bumper.

95. Connect up washer fluid tubing, forward facing camera connector, and radar connector into all of their respective areas.

96. Install 2x **inner** parking sensor housings and sensors to the lower pan of the bar as per step 80.





97. If your vehicle has a plastic stone guard with OE tow points, the area surrounding the tow points needs to be trimmed out as shown using an oscillating multitool or jig saw.



Warning: Drilling operations can result in flying metal debris, safety glasses should be worn.



98. Refit the OE plastic stone guard and factory tow points using the OE bolts removed earlier.

99. Tighten to specified torque.



100. Fit 4x M6 cage nuts to the stone shield as shown.



101. Hold the stone shield in place and mark the plastic OE panel where the stone shield clashes with it.



102. Trim the plastic OE panel as shown using an oscillating multitool or jig saw.

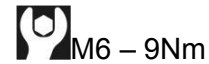


Warning: Drilling operations can result in flying metal debris, safety glasses should be worn.



103. Install the stone shield as shown using 8x M6x20mm bolts, washers and flange nuts.

Note: Large diameter washers are used on the bull bar lower pan and small diameter washers are used to hold the stone shield to the lower brackets.

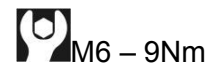


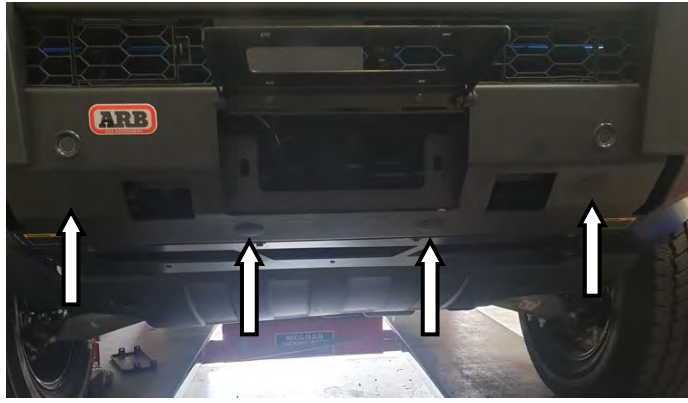
104. Fit 4x M6 cage nuts to each wing under panel as shown.



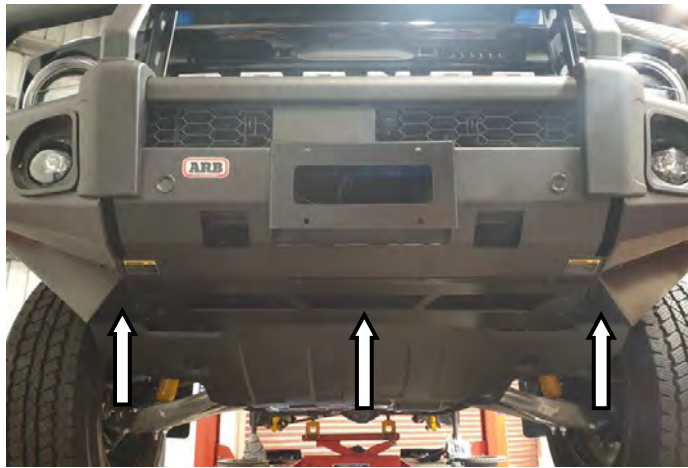
105. Install the wing under panels as shown using 6x M6x20mm bolts, washers and flange nuts.

Note: Large diameter washers are used on the bull bar wing and small diameter washers are used to hold the wing under panel to the stone shield.





106. Fit 35mm plastic caps to the 4x holes as shown.



107. Fit self tapping pan head screws through the under panels into the OE plastic panel in the 3 places shown.



108. Fit Recovery point warning label on each side just below the recovery point aperture as shown.

NOTICE: ONCE BAR IS FITTED:

- ◆ Ensure all bolts are tensioned correctly.
- ◆ All wiring is clear of sharp edges or moving surfaces and secured properly.
- ◆ Piping is secured well away from sharp or moving components.
- ◆ Check all wiring and connections to fog lights, and parking sensors and that they are functioning correctly.

FITTED PRODUCT – 2021 FORD BRONCO

