



MS149-27 '47-'54 Chevy Truck Hood Hinge Installation Instructions

We would like to take this opportunity to **THANK YOU** for purchasing EDDIE MOTORSPORTS products. We welcome any comments or feedback you might have. If you have any questions about our products or about the installation procedure, please feel free to contact us.

Before beginning the installation, please read:

- * Read all of the instructions thoroughly before beginning the installation. If you do not feel that you have the mechanical aptitude to complete the job in a safe manner, Eddie Motorsports strongly recommends that you employ the services of a knowledgeable technician to perform the installation.
- * Use the packing list to verify that you have received all of the components and fasteners.
- * We recommend that you protect your paint from scratches by liberally applying blue painter's tape to all contact surfaces, corners and seams of the fenders and hood.
- * Take note of your hood's fit and finish. Pay close attention to the width of the seams, alignment of the hood to the fenders, cowl, etc. This will help in the final adjustment of the hood and prevent you from spending time trying to correct a pre-existing condition.
- * **Do not attempt the installation alone.** There are several steps in the installation process that require 2-3 people to complete safely.
- * To prevent galling of stainless steel fasteners, apply anti-seize compound to all bolt threads. Fasteners that have seized will not be warrantied.
- * Eddie Motorsport's hood hinges are designed as direct replacement, bolt-on parts. Please note that these hinges do require drilling four 3/16" holes in the lower hood lip for installation. Also, due to the age of your vehicle, the lack of quality control that existed when it was originally built, and the vast array of (mostly imported) replacement sheet metal, our hinges may not fit exactly as they did on the test vehicle(s) that we used to design them. Should you feel that the fit is not to your satisfaction, Eddie Motorsports, with proof of purchase from us, will gladly refund your money.
- * Eddie Motorsports hood hinges are supplied with nitrogen filled gas struts that we have pre-determined to be the correct strength for your vehicle's hood. Should your hood be lighter or heavier than the original hood that we tested, we will gladly exchange the struts for ones that have the strength to more adequately work with your application. Also note that the pressure in the struts will be **reduced** when exposed to cold weather.
- * Eddie Motorsports does not guarantee the function of our hood hinges on hoods that have been modified (i.e. added hood scoops, excessive customization, heavy bondo, mirrors or under hood additions **OF ANY KIND**).
- * It is the responsibility of the owner to periodically check the tightening of all fasteners.
- * To prolong the life of the struts, we recommend that the hood be left open or the struts be removed completely during extended periods of storage.
- * Due to the extreme variance in construction quality, rigidity, and weight, Eddie Motorsports does not guarantee the function of our hood hinges with fiberglass or carbon fiber hoods.
- * Eddie Motorsports is not responsible for applications that are outside the normal and intended use of our products including specific model and year applications.

Packing List:

- | | |
|---|--|
| (1) Right Hand Hinge Assembly | (8) 5/16 AN Washers (small outside diameter) |
| (1) Left Hand Hinge Assembly | (4) Aluminum Spacers |
| (2) Gas Struts | (2) Firewall Strut Mount |
| (2) Hood Strut Mount | (4) 3/8-16 X 5/8 Hex Head Bolts |
| (4) 3/8 Fender Washers (large outside diameter) | |
| (4) 5/16-24 X 1" Button Head bolts | (4) 5/16-18 X 3/4" Button Head bolts |
| (4) 10-32 X 3/8" Button Head bolts | |

INSTRUCTIONS:

1. Install the hood strut mount. With the hood open, locate the rubber hood bumper on the side hood lip. Measure from the center of the bumper forward, 5 3/4" (see figure 1). Use a center punch to mark the spot and drill 3/16" hole. From the center of the 3/16" hole, measure forward 1 1/2". Mark the spot and drill another 3/16" hole. Using 10-32 X 3/8" button head bolts, fasten the hood strut mount to the inside of the hood with the ball stud protruding away from the hood. Repeat this on the other side of the hood.

2. Remove the hood from the factory hood hinges.

3. Remove the factory hinges from the firewall and cab mounts.

4. Check the threads in your firewall and hood with the new bolts. It may be necessary to clean the threads with a tap or thread chaser.

5. Using 5/16-18 X 3/4" button head bolts and 5/16" small diameter AN washers, install the firewall strut mounts to the stock factory firewall holes. Position the mounts with the ball studs facing the engine. Be sure to use anti-seize on the bolts before installing.

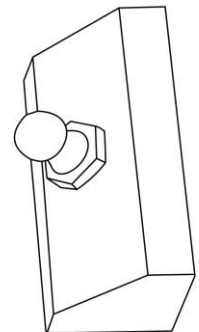
6. Using 3/8-16 X 5/8" hex head bolts and inserting from inside the truck's cab, attach the hinges. Apply anti-seize to the threads but do not tighten the bolts fully at this time. **NOTE: You may prefer to install the hinges onto the hood first and then lower the hood and attach the base of the hinges to the cab.**

7. Attach the billet aluminum hinges to the hood using the supplied 5/16-24 x 1" button head bolts, 5/16" AN washers, and aluminum spacers inserted between the hinge and the hood (see figure 2).

Again, be sure to use anti-seize on all bolts before installing. Once all four bolts have been attached, fully tighten. **NOTE: Due to variances in the hood construction, there is a chance that the bolts supplied may be too long. Check the length before tightening.**

To make it easier to open and close the hood during adjustments, we recommend that you remove the hood latch from the hood.

8. With the hinges attached to the hood, lower the hood assembly over the cowl and line up the holes in the hinge base to the factory hinge mount holes in the cab. **Do not attempt this alone!** From inside the cab, fasten the hinges using 3/8-16 X 5/8" hex head bolts and large diameter 3/8" fender washers. Do not fully tighten the bolts at this time.



Hood Strut Mount

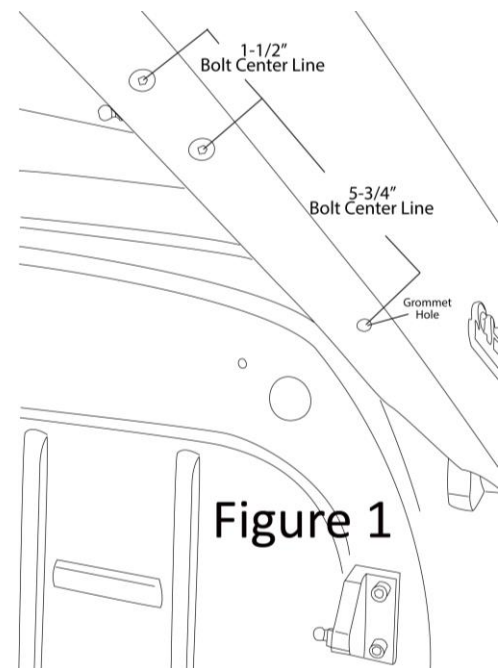
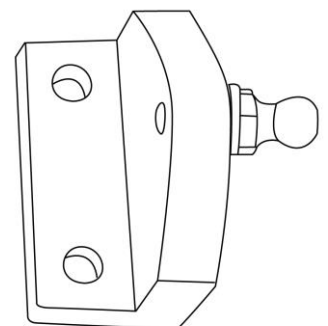


Figure 1



Firewall Strut Mount

9. Install the stainless steel gas struts. Remove the wire keeper from each socket end of the strut (see figure 3). Apply a small amount of grease to the ball studs on the strut mounts. Install the stainless steel gas struts onto the hinge with the “body” side down. **NOTE: you will NOT be able to collapse the struts without them first being installed and using the leverage of the hood.**

Also, use caution as there is a small internal ring clip on the inside of the strut end. Should this become dislodged from its mounting groove, it will make it difficult to install the strut on the ball stud. Do not replace the wire keepers at this time as you may need to remove the struts to adjust the hinges.

10. Adjust the hood height. Lay a wood 2 X 4 horizontally on its side on top of the grille of the truck (holding the hood 4” above the grill). Close the hood on the 2 X 4. Push the back of the hood down so that it is flush with the cowl. Hold in place while you tighten the hinges inside the cab.

11. Once the hood position has been set to your satisfaction, re-install the hood latch, and remove painter’s tape.

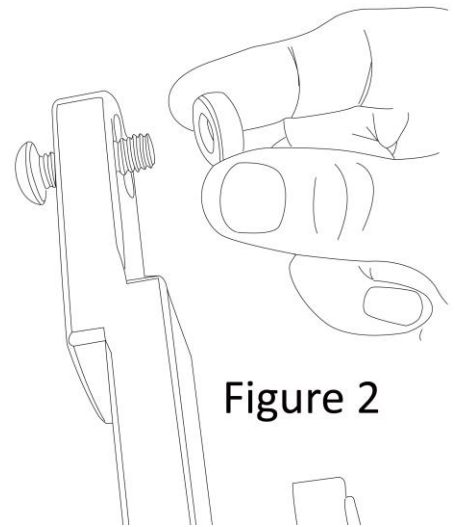


Figure 2

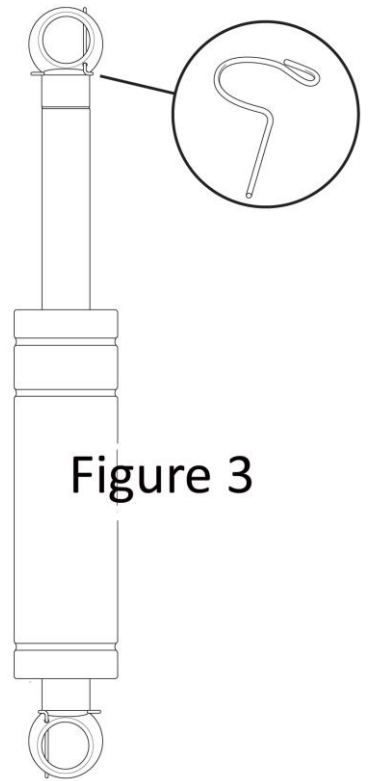


Figure 3