

## Description

The sensor is Hall effect devices designed for use in applications where ferrous edge detection/near zero speed sensing is needed. They provide a sinking output current.

## Features

- From near zero speed up to 15 kHz sensing capability
- Plastic flange-mount housing
- Compatible with unregulated power supply
- IP67
- Typical air gap of 1.5 mm

## Environmental Specifications

Vibration	Sinusoidal, 15 g max from 40 Hz to 2 kHz
Mechanical Shock Resistance	50 g
Maximum Speed Detection	15 kHz
Operating Temperature	-40 °C to 125 °C (-40 F to 257 F)
Storage Temperature	-40 °C to 125 °C (-40 F to 257 F)
Ingress Protection	IP67

## Electrical Specifications

Operating Supply Voltage	5 to 24 VDC
Maximum Input Voltage	30 VDC
Maximum Reverse Voltage	24 VDC
Supply Current	3 mA typ., 6 mA max
Output Sink Current	20 mA max

## Mechanical Specifications

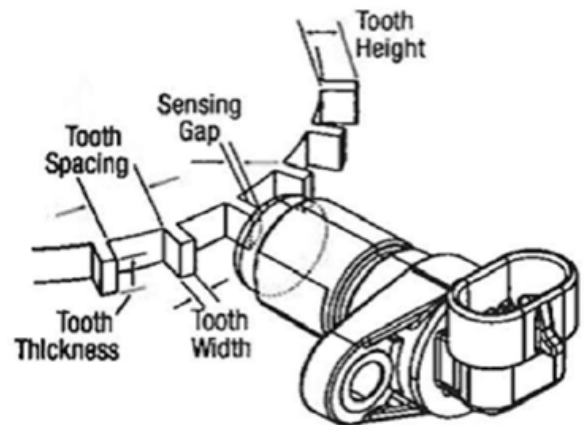
Housing Material	Glass Reinforced Thermoplastic
Maximum Installation Torque Limit	5.65 Nm (50 in lb) on threads
Operating Air Gap / Sensing Distance*	1.5 mm (0.06")
Sensor Orientation	Not sensitive

\* With recommended target type; see drawing

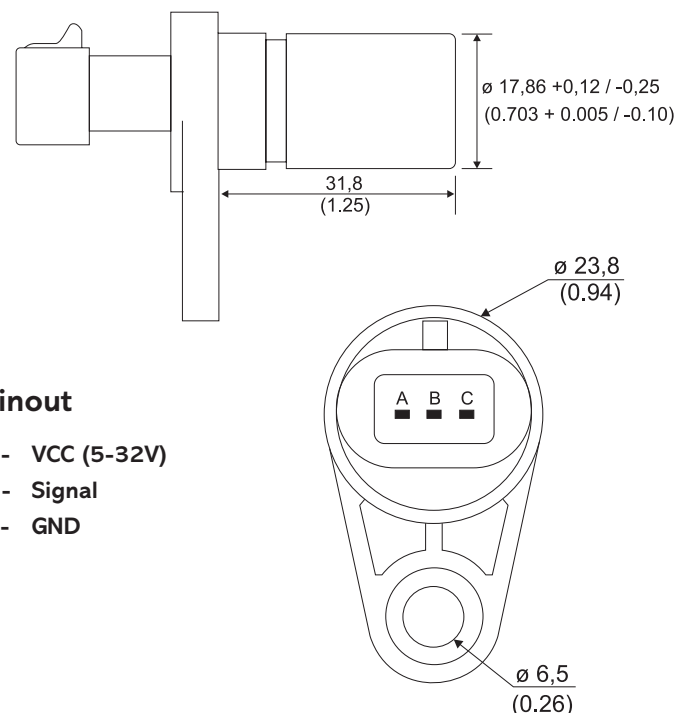
## Installation

For best results, we recommend targets made from low carbon cold rolled steel. Other factors that influence sensor performance include gear tooth height and width, space between the teeth, shape of the teeth and thickness of the target. As a general guideline, consider a target with minimum parameters as shown below. Note that smaller dimensions may work, but testing for the application is required.

Tooth Height	5,0 mm (.200")
Tooth Width	2,5 mm (.100")
Distance between Teeth	10 mm (.400")
Target Thickness	6,35 mm (.250")



## Dimensions mm (inches)



## Pinout

- A - VCC (5-32V)
- B - Signal
- C - GND