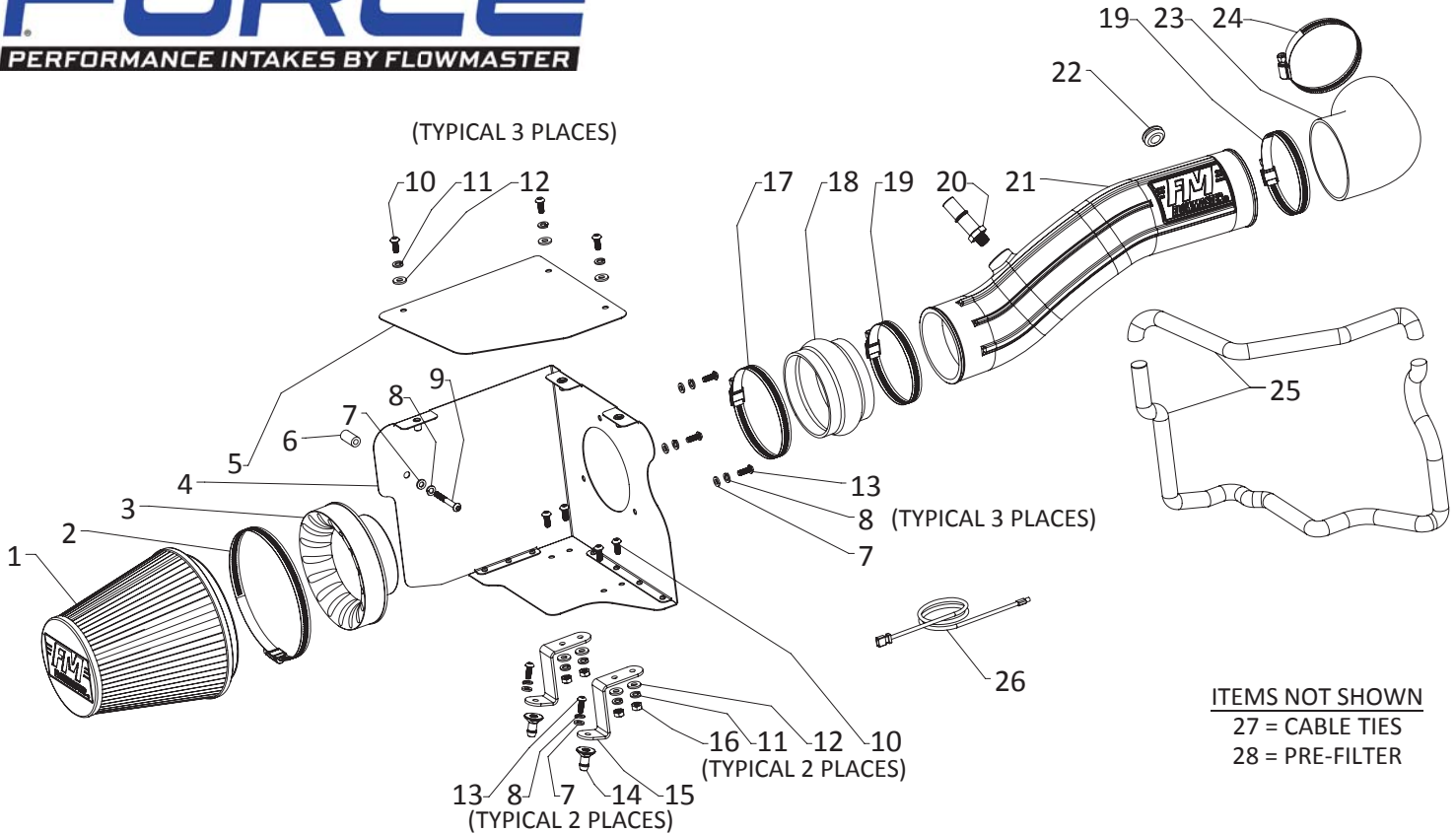




# Installation Instructions for 615183D

## 2018 JEEP JL WRANGLER with 3.6L Engine

NOT LEGAL FOR SALE OR USE ON ANY POLLUTION-CONTROLLED MOTOR VEHICLE IN CALIFORNIA OR IN STATES THAT HAVE ADOPTED CALIFORNIA EMISSION PROCEDURES.



**ITEMS NOT SHOWN**

- 27 = CABLE TIES
- 28 = PRE-FILTER

ITEM NO.	PART NUMBER	DESCRIPTION	QTY.
1	AF1006	AIR FILTER, DRY MEDIA 7-1/2" x 6" DIA	1
2		CLAMP, SCREW, #104 (4-1/8" - 7")	1
3	AF6002	ADAPTER, AIR FILTER 4" x 6"	1
4	AF3069	HEAT SHIELD, 18- WRANGLER JL, 3.6L	1
5	AF3071	HEAT SHIELD COVER, 18- WRANGLER JL, 3.6L	1
6	HW533	SPACER, NYLON, 1/2" O.D. x 1" L	1
7	HW319	FLAT WASHER, M6	6
8	HW318	LOCK WASHER, M6	6
9	HW275	SCREW, M6 x 1.0 x 50MM	1
10	HW245	SCREW, 1/4"-20 x 5/8"	7
11	HW322	LOCK WASHER, 1/4"	7
12	HW320	FLAT WASHER, 1/4"	7
13	HW244	SCREW, M6 x 1.0 x 16MM	5
14	AF7001	BARBED PIN, M6 x 1.0	2

ITEM NO.	PART NUMBER	DESCRIPTION	QTY.
15	AF5085	BRACKET 1, 18- WRANGLER JL, 3.6L	2
16	HW115	NUT, 1/4"-20	4
17	MC400H	CLAMP, SCREW, #64 (3-9/16" - 4-1/2")	1
18	AF4009	COUPLER, FLEX 4" - 3-1/2" I.D. x 2-1/2" L	1
19	MC350H	CLAMP, SCREW, #56 (3-1/16" - 4")	2
20	AF4016	FITTING, STRAIGHT 5/8" QUICK CONN TO 1/4" NPT MALE	1
21	AF2069	INTAKE TUBE, 18- WRANGLER JL, 3.6L	1
22	AF4008	GROMMET, 1-1/16" OD x 1/2" ID x 3/16" THK	1
23	AF4075	COUPLER, 95°, 3-3/4" I.D. x 3-1/8" I.D.	1
24	MC314H	CLAMP, SCREW, #52 (2-13/16" - 3-3/4")	1
25	49000061	GASKET, HEAT SHIELD	60"
26	HW534	EXTENSION LEAD, INLET AIR TEMP SENSOR	1
27	HW523	CABLE TIE, 8-1/2" L x 1/8" W	2
28	615003P	PRE FILTER WRAP, FOR AF1002 (OILED) & AF1006 (DRY) FILTERS	1

## REVIEW THE INSTRUCTIONS AND VERIFY THE KIT CONTENTS:

1. Take a moment to read and understand these instructions before installing your Flowmaster performance air intake kit.



2. Use the parts drawing and list (front page) to verify your kit's contents.

In the unlikely event that any parts are missing, contact FLOWMASTER Technical Support for replacements.

To simplify assembly and avoid cross-threading fasteners, identify and separate the 1/4-20 screws (item 10) (used with nuts (16) and heat shield cover (5)), and the M6 screws (13) (used with filter adapter (3) and barbed pins (14)).

## REMOVE THE FACTORY AIR INTAKE SYSTEM:

### NOTES

- We highly recommend that you retain all factory air intake system parts.
- Refer to your vehicle manufacturer's recommendations regarding removal of factory components.
- Disconnecting the negative battery cable erases pre-programmed electronic memories. Write down all memory settings before disconnecting the negative battery cable. Some radios will require an anti-theft code to be entered after the battery is reconnected. The anti-theft code is typically supplied with your owner's manual. In the event your vehicle's anti-theft code cannot be recovered, contact an authorized dealership to obtain your vehicle's anti-theft code.

3. Turn off the vehicle's ignition and disconnect the negative battery cable. **Failure to disconnect the battery may cause the CHECK ENGINE light to illuminate after the air intake kit is installed.**



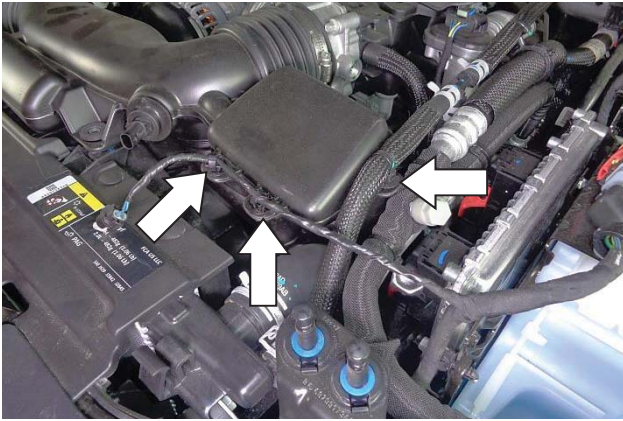
4. Remove the 3 intake mount bolts.



5. Disconnect the PCV line from the air inlet duct.



6. Disconnect the air temperature sensor plug by depressing the locking tab, then pulling it straight off the sensor.



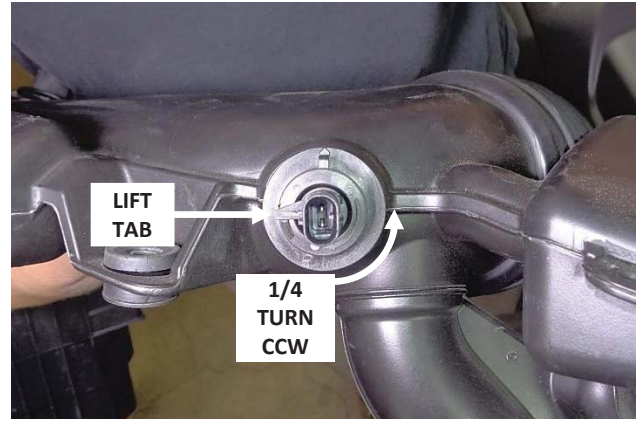
7. Separate the 3 wire loom clamps from the resonator.



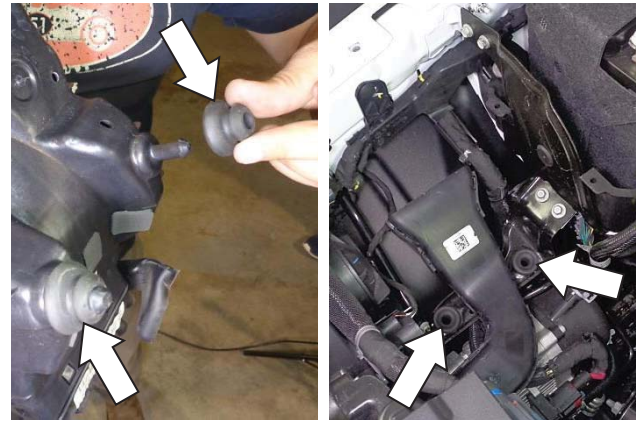
8. Loosen the screw clamp connecting the inlet air duct to the throttle body, then separate the duct from the throttle body.



9. Pull the airbox up sharply to release it from its mount grommets, then remove the assembled airbox and ducts from the vehicle.



10. Remove the air temp sensor by lifting the locking tab and turning the sensor a quarter-turn counter-clockwise, then pulling it straight out of the duct. Then remove the o-ring from the sensor. **CAUTION: The sensor is delicate!** Handle it with care, and store it in a safe location until reinstallation.

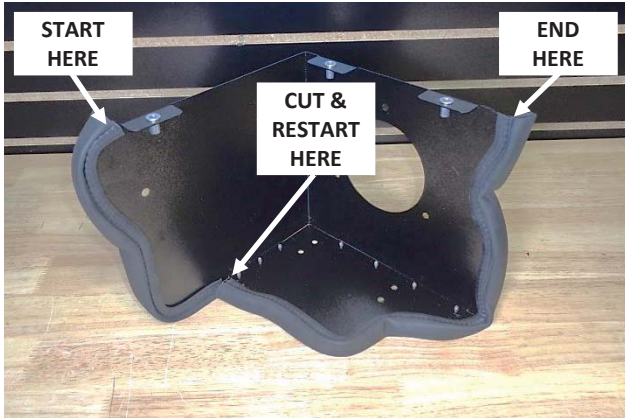


11. If either of the rubber mount grommets came out of the vehicle with the airbox, remove them from the airbox and install them in their holes in the vehicle frame.



12. At the bracket just forward of the battery, remove the inboard screw.

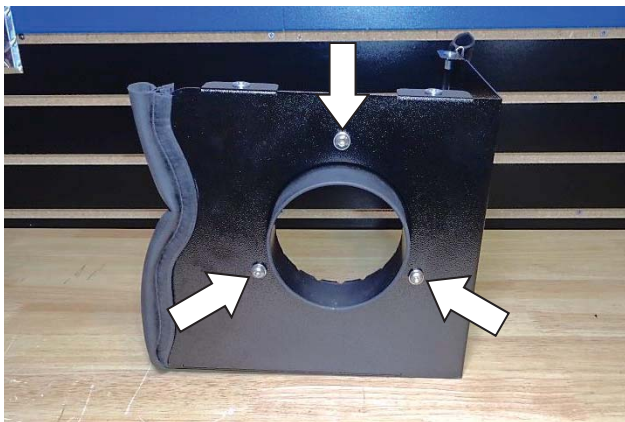
**ASSEMBLE AND INSTALL YOUR FLOWMASTER PERFORMANCE AIR INTAKE SYSTEM:**



13. Attach gasket (25) to the heat shield (4), in 2 sections as shown. Firmly press the gasket onto the edge, and cut it to length using metal-cutting shears.



14. Attach gasket to the heat shield cover (5).



15. Assemble the air filter adapter (3) to the heat shield using M6 screws (13), lock washers (8) and flat washers (7).



16. Attach the 2 brackets (15) to the heat shield as shown, using ¼-20 screws (10) (against the heat shield), and flat washers (12), lock washers (11), and nuts (16) (against the brackets).



17. Fasten a barbed pin (14) to each bracket, using an M6 screw (13), lock washer (8) and flat washer (7).



18. Insert the rubber grommet (22) into the intake tube (21). Moistening the grommet with soapy water will ease insertion.



19. Carefully push the air temp sensor into the grommet, orienting the tab toward the tube's filter end. Moistening the grommet I.D. with soapy water will ease insertion. **NOTE: The sensor boss does not sit flush against the grommet; there will be a slight gap.**



20. Apply 2 wraps of nylon thread tape to the threads of the quick connect fitting (20), and install it in the intake tube.



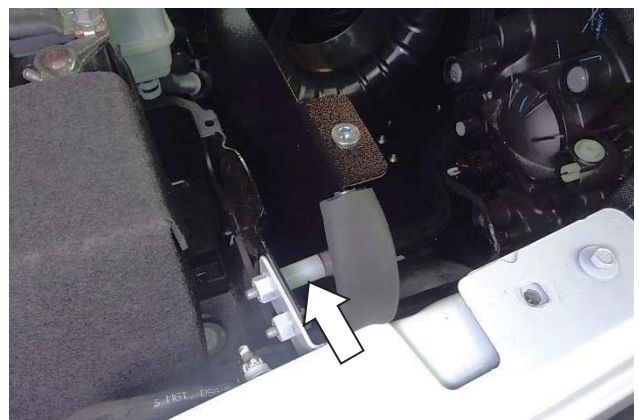
21. Slip a #56 screw clamp (19) onto the small end of the reducing coupler (18), and install the coupler on the filter end of the intake tube. Then slip the #64 screw clamp (17) onto the other end of the coupler. Do not tighten the clamps at this time.



22. Slip the other #56 screw clamp (19) onto the large end of the elbow coupler (23), and install the coupler on the discharge end of the intake tube. Then slip the #52 screw clamp (24) onto the other end of the coupler. Do not tighten the clamps at this time.



23. Install the heat shield by pressing the 2 mount pins into their rubber grommets.



24. Secure the corner of the heat shield to the vehicle frame using the long M6 screw (9), lock washer (8), flat washer (7) and spacer (6).



25. Place the pre-filter wrap (28) and the #104 screw clamp (2) on the air filter (1). Then install the filter on the filter adapter, and tighten the clamp.



28. Push the elbow coupler up against the throttle body stops, then tighten the throttle body clamp.



26. Install the assembled intake tube in the vehicle.



29. Center the intake tube between the couplers, then tighten the 2 remaining clamps.



27. Push the reducing coupler fully up against the heat shield, then tighten the heat shield clamp.



30. Connect the PCV line to the quick connect fitting and check for security.



31. Connect the air temp sensor extension lead (26) to the vehicle's temp sensor plug. Then route the lead under the coupler, connect the other end to the air temp sensor, and check for secure connections at both ends.



32. Use 1 or 2 cable ties (27) (as necessary) to secure the temp sensor lead to nearby wiring or plumbing.



33. Attach the head shield cover to the heat shield using ¼-20 screws (10), lock washers (11), and flat washers (12).



**Congratulations, the installation of your FLOWMASTER performance air intake kit is now complete!**

---

### **IMPORTANT: RETAIN THESE INSTRUCTIONS FOR FUTURE REFERENCE**

Flowmaster maintains a highly-trained technical service department to answer your technical questions, provide additional product information and offer various recommendations.

Direct all correspondence and warranty questions to:

**Flowmaster**  
100 Stony Point Rd., Suite 125  
Santa Rosa, CA 95401

**Flowmaster Technical Service: (707) 544-4761**  
**Monday – Friday: 7:30 am to 5:00 pm Pacific Time**  
**(Closed Saturday and Sunday)**



# CLEANING YOUR FLOWMASTER DRY SYNTHETIC AIR FILTER and PRE-FILTER WRAP

## DRY SYNTHETIC AIR FILTERS

**NEVER WASH YOUR DRY AIR FILTER!** However, if you drive in dusty conditions, periodically blowing the filter off with low-pressure (20-30 PSI) compressed air can extend its service life.

Inspect your filter about every 6,000 miles (or, every other oil change). When you see a buildup of dust between the pleats:



1. **Tap the filter** several times on a hard, flat surface. Tap it firmly enough to dislodge any loose particles from the pleats, but not so hard as to damage it.



2. **Blow off the outside** of the filter. Blow across the filter surface (at about a 45° angle), not through the filter material. Hold the air nozzle about 6 inches away from the filter surface, always keep it moving, and point the air jet in to—not across—the pleats.



3. **Blow through** the filter, from the inside out. Keep the nozzle moving; do not hold it stationary over one place on the filter.

Replace your filter every 15-30,000 miles—more often under dusty conditions, less often under normal highway conditions.

## PRE-FILTER WRAP

If the pre-filter wrap is used, wash it as needed with warm water and dish soap, rinse with clear water, and pat dry with a towel.