



Installation Instructions  
**717972**  
2010-22 TOYOTA 4RUNNER  
4.0L ENGINE

**OVERVIEW:**

1. Take a moment to read and understand these instructions before installing your Flowmaster performance system.

**NOTE:** Please inventory all parts now before continuing and if necessary, report any missing items to our tech line. This will avoid potentially stranding your vehicle until any missing replacement parts arrive.

| ITM # | PART #    | DESCRIPTION                | QTY. |
|-------|-----------|----------------------------|------|
| 1     | 935TBM    | Inlet Pipe                 | 1    |
| 2     | 70006-573 | Muffler Assembly           | 1    |
| N/A   | PK1059    | Hardware Package includes: | 1    |
| 3     | MC300BS   | 3" Stainless Band Clamp    | 1    |

---

**REMOVE STOCK EXHAUST SYSTEM:**

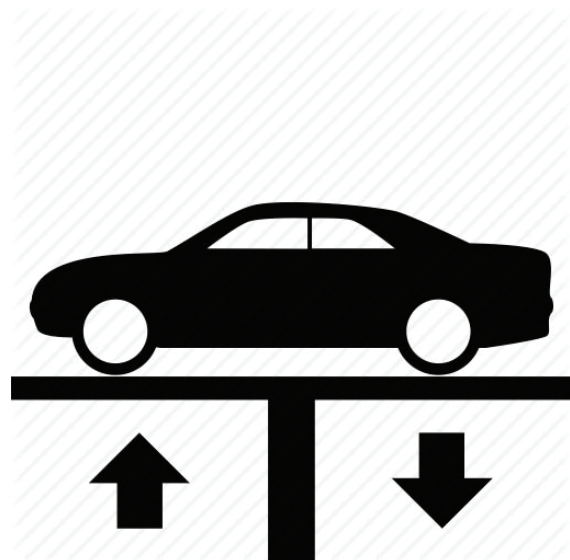
2. Raise vehicle up on a hoist or rack to working height. If you don't have access to a hoist or rack, support vehicle with jack stands.

**WARNING:**

Avoid serious burns! Allow your vehicle time to cool completely before touching any factory engine components.

**To ease preparation and installation of your new kit:**

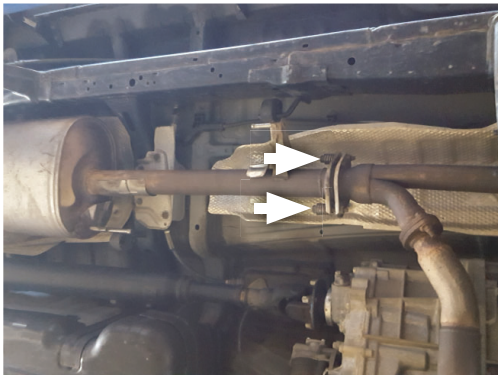
- Apply penetrating lubricant to mounts, bolts and clamps before you remove them.
- Use stands as necessary to support parts as you detach them from your vehicle and again as you install new parts.



3. Remove bolts from flange between tailpipe and muffler. Disassemble hanger wires from isolators and remove tailpipe section from vehicle.



4. Support muffler and disassemble wire hangers from isolators. Remove and retain (x2 ea.) fasteners from flange connecting muffler to inlet then remove muffler section from vehicle.



## INSTALL FLOWMASTER EXHAUST SYSTEM

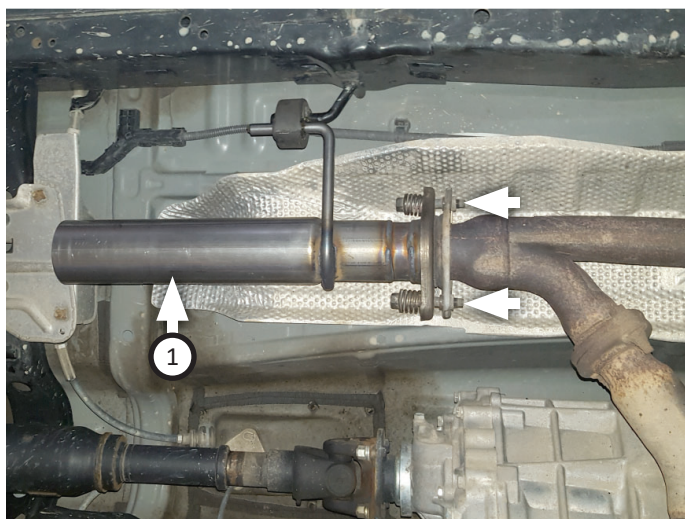
5. Remove nuts from stock and Flowmaster clamps, apply anti-seize compound to bolts and re-install nuts.

**NOTE:** The image in this step is intended for illustrative purposes only and may or may not accurately reflect components included in your kit.

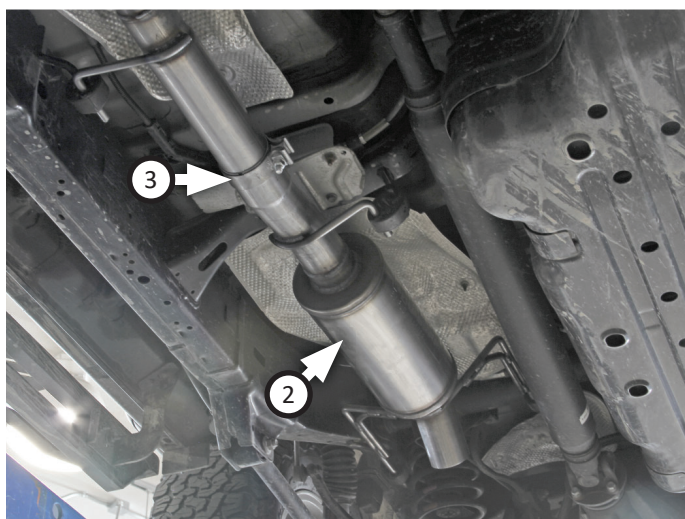
6. Your muffler connection which must seat 2" deep. Mark it accordingly so your Flowmaster exhaust system fits properly onto vehicle.



7. Insert **inlet pipe (1)** wire hanger into isolator then connect flanges with fasteners (removed step 4).



8. Place **clamp (3)** onto **muffler (2)** then connect it to inlet pipe. Tighten clamp just enough to allow for adjustment
9. Adjust exhaust components for fit; maintaining  $\frac{1}{2}$ " clearance and compensating for suspension, travel and vibration, then tighten clamp completely.
10. Recommended: Secure slip-fit connections with a 1-inch tack weld then spray high-temp paint over each weld to prevent rust and premature corrosion.



Congratulations, the installation of your FLOWMASTER performance exhaust system is now complete!



