

FRETRAHD

Rear suspension package Ensemble pour suspension arrière Ensemble para suspensión de trasero

Ref. = Reference = No. de référence = Núm. de referencia
Part = Part #. = No. de pièce = Núm. de pieza
Qty. = Quantity = Quantité = Cantidad

INSTALLATION INSTRUCTIONS

- Partially raise vehicle not allowing axle to hang freely.
- Remove existing bump stop assembly.
- Assemble Aeon rubber spring and bracket as shown in the adjacent diagram.
- Mount Timbren assembly using existing holes & Timbren supplied fasteners.
- Lower vehicle.

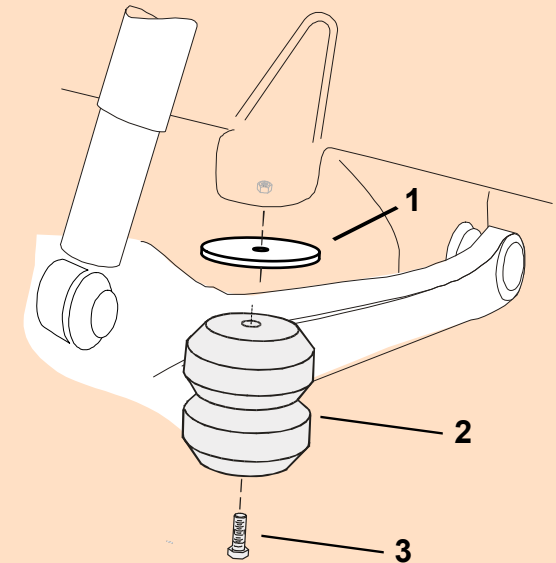
INSTRUCTIONS DE MONTAGE

- Soulever le véhicule de sorte que l'essieu soit dégagé.
- Retirer l'assemblage de la butée de suspension existante.
- Assembler le ressort en caoutchouc Aeon et le support comme il est indiqué dans le schéma adjacent.
- Monter l'assemblage Timbren en utilisant les trous existants et la boulonnerie fournie avec l'assemblage Timbren.
- Redescendre le véhicule.

INSTRUCCIONES DE INSTALACIÓN

- Levante el vehículo dejando que los ejes cuelguen libremente.
- Retire la unidad del tope de suspensión existente.
- Ensamble el resorte de caucho Aeon y la abrazadera como se muestra en el diagrama adyacente.
- Monte la unidad Timbren utilizando los orificios existentes y los elementos de sujeción Timbren provistos.
- Baje el vehículo.

Ref	Part	Qty
1	A16137-003	2
2	A00545-65Q30	2
3	F11540-750	2



Do not exceed vehicle manufacturer's recommended weight rating. Check for AEON® interference with vehicle components - Under load AEON® will "expand" in diameter.

Ne pas dépasser le poids nominal sur l'essieu recommandé par le fabricant du véhicule. Vérifier que le ressort AEON® n'a pas d'incidence sur d'autres pièces du véhicule - Le ressort AEON® augmentera son diamètre avec la charge.

No exceda la carga nominal en el eje recomendada por el fabricante del vehículo. Compruebe que no haya interferencia entre el resorte AEON® y los otros componentes del vehículo. Bajo carga, el resorte AEON® se ampliará en diámetro.

TIMBREN

Clearance Instructions

Front SES kits are usually in full contact.

Rear SES kits for Light Duty Trucks and Cube Vans should have 1/2" to 1-1/2" gap between rubber spring and contact point when empty.

Partial load, or vehicle accessories will reduce or eliminate gap.

Medium and Heavy-Duty Trucks, Trailers and Motorhomes will be in constant contact, and have no gap.

Lifetime Warranty

Timbren SES - Suspension Enhancement Systems kits are warranted against defects in material and workmanship, under normal use and service, for the life of the vehicle on which the kit was originally installed. The warranty is non-transferable and proof of the date of purchase and purchaser is required.

This warranty is limited to the replacement of the failed parts and does not include labor, freight, collateral damage or ancillary costs which may arise as a result of the failed part. For vehicles subjected to exceptionally high use and service, the warranty is limited to the lesser of 5 years (from date of purchase) or 400,000 km (approx. 250,000 miles).

Timbren retains the right to make its own inspection of the failed part to determine the validity of the claim. Timbren shall not be liable nor warrant the product in the event of alteration, misuse, overload, negligence nor damage caused by others

100 Day Money Back Guarantee

Timbren Industries offers a 100 Day Money Back Guarantee on all our SES and Active Off-Road Bumpstop products. If our product does not do what we claim it can do call our expert Customer Service Team. 1-800-263-3113 or email sales@timbren.com. Our team will do they're absolute best to resolve your issue and get you towing and hauling like the pros or your money back.

