

ASSEMBLY & MOUNTING INSTRUCTIONS

1. Assemble the brackets to the Flex-a-lite Scirocco fan/shroud (Diagram A) using the button head screws and lock nuts provided. Pass the button head screws through the bracket flange holes, the shroud, the motor struts on the inside of the shroud, and into the lock nuts. Note: The half-round cut out in one bracket is to allow clearance for the fan temperature switch that mounts in the radiator tank face in some models.
2. Route the motor lead wires so they pass through the clearance between the two ends of the bulb seal where they come together. Fasten the wires to the motor struts to prevent the wires from contacting the blades. Use the nylon ties provided.
3. Fan blades are factory mounted as pullers. To use as a pusher simply slide E-clips off the ends of the motor shafts, reverse blades and slide E-clips back into position on the ends of the motor shafts.
4. For puller mode attach the black wire to a positive 12 volt power source and the red wires to ground. For pusher mode attach the black wires to ground and the red wires to a positive 12 volt power source.
5. Mount the Flex-a-lite fan/shroud assembly to the radiator using the spacers*, bolts, washers and lock washer provided (Diagram B). Always check to make sure there is sufficient clearance for the bolt threading into the radiator mounting bosses so that it does not bottom out and crack the radiator. If sufficient clearance does not exist use a shorter bolt or a spacer under the head of the bolt.

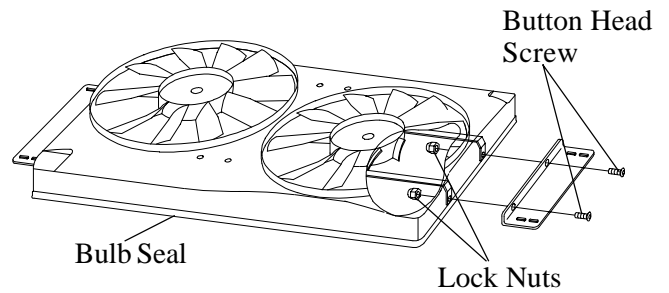
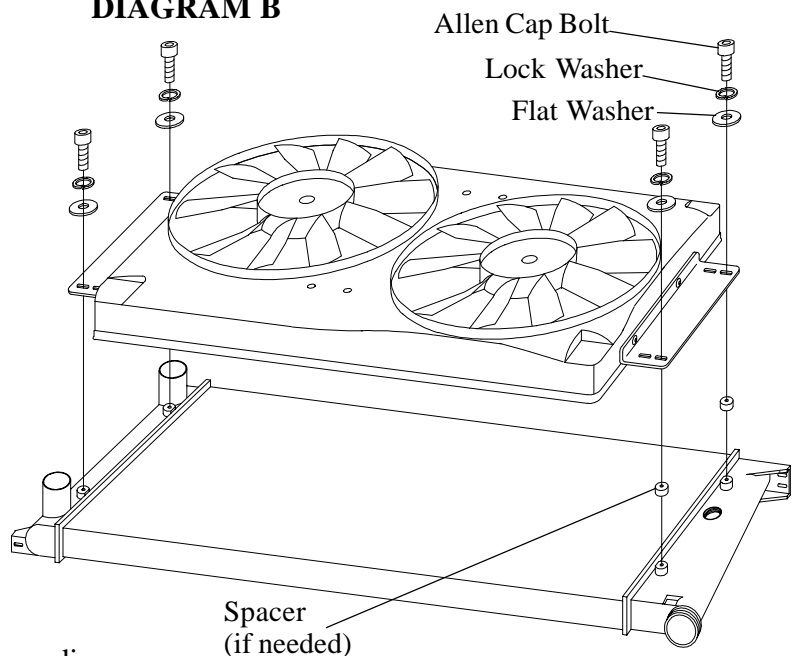
*Spacers are used between the bracket and mounting bosses on radiators where the mounting bosses on one side of the radiator are shorter than the other. The spacers allow the shroud to lay flat on the radiator core for even support and a good seal.

SCIROCCO O.E. FAN REPLACEMENT INSTRUCTIONS

1. Disconnect the battery ground cable.
2. Disconnect the fan motor wiring connector.
3. Remove the (4) shroud retaining bolts.
4. Remove the shroud and fan assembly from the car.
5. Install Flex-a-lite fan/shroud assembled as described above.
6. Fans can be wired by slicing into existing fan wiring harness. For increased control of fan purchase Flex-a-lite illuminated Switch #31148 or Adjustable Temperature Sensor #31147.

“GRIFFIN SCIROCCO RADIATOR”
INSTALLATION:

1. Assemble the Flex-a-lite model 365 Scirocco fan according to the instructions above, then follow these directions for adding the additional set of holes in the mounting brackets.
2. Center the fan assembly between the two upper fan mounts on the radiator side tanks and fasten using the bolts provided.
3. Mark lower mounting hole locations on the fan assembly mounting flanges so they line up with the lower set of fan mounts on the radiator tanks.
4. Remove fan assembly from radiator.
5. Use file or drill to elongate the holes to fit the Griffin radiator holes.
6. Fasten fan assembly to radiator using the bolts, lock washers, and flat washers provided.

DIAGRAM A

DIAGRAM B

THE FLEX-A-LITE LIMITED WARRANTY

Flex-a-lite Corporation, P.O. Box 580, Milton, Washington 98354, Telephone No. 253/922-2700, warrants to the original purchaser User, all Flex-a-lite products to be free of defects in material and workmanship for a period of 365 days (**1 year**) from date of purchase. Flex-a-lite products failing within 365 days (**1 year**) from date of purchase, may be returned to the factory through the point of purchase, transportation charges prepaid. If, on inspection, cause of failure is determined to be defective material or workmanship and Not be misuse, accident, or improper installation, Flex-a-lite will replace the fan free of charge, transportation prepaid. **Flex-a-lite will Not be liable for incidental, progressive, or consequential damages.** Some states do Not allow the exclusion or limitation of incidental or consequential damages, so the above limitation or exclusion may Not apply to you. This warranty gives you specific legal rights and you may also have other rights, which vary from state to state. **NOTE: The Flex-a-lite warranty is in compliance with the Magnuson-Moss Warranty Act of 1975.**