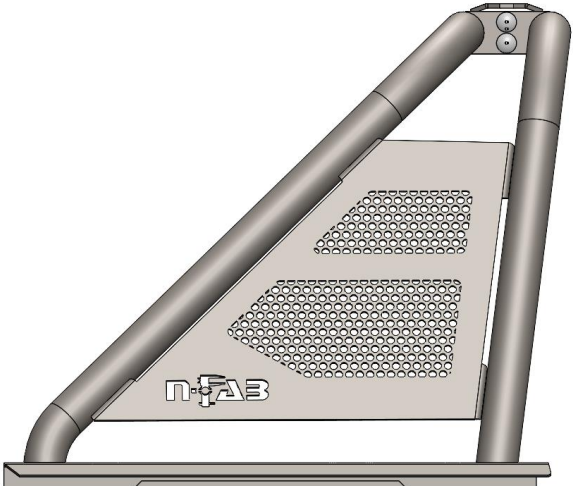




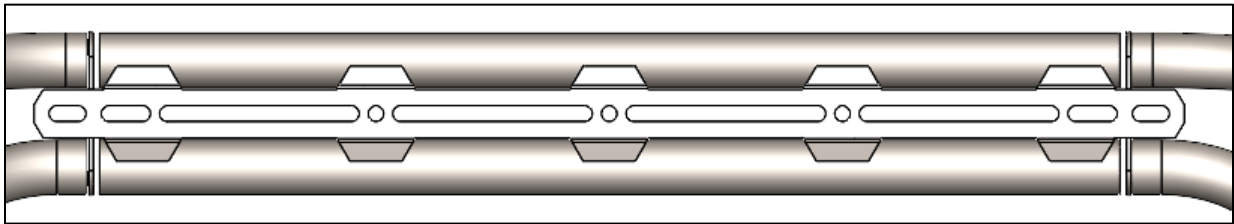
I-SHEET PART NUMBER: INST-00271  
 PART NUMBER: **F19BR-TX**  
 PRODUCT: **SPORT BAR**  
 APPLICATION: **19-21 RANGER**

HARDWARE HWKT-11804X		
	3/8"X1" CARRIAGE BOLT	8
	3/8" FLANGED NUT	8

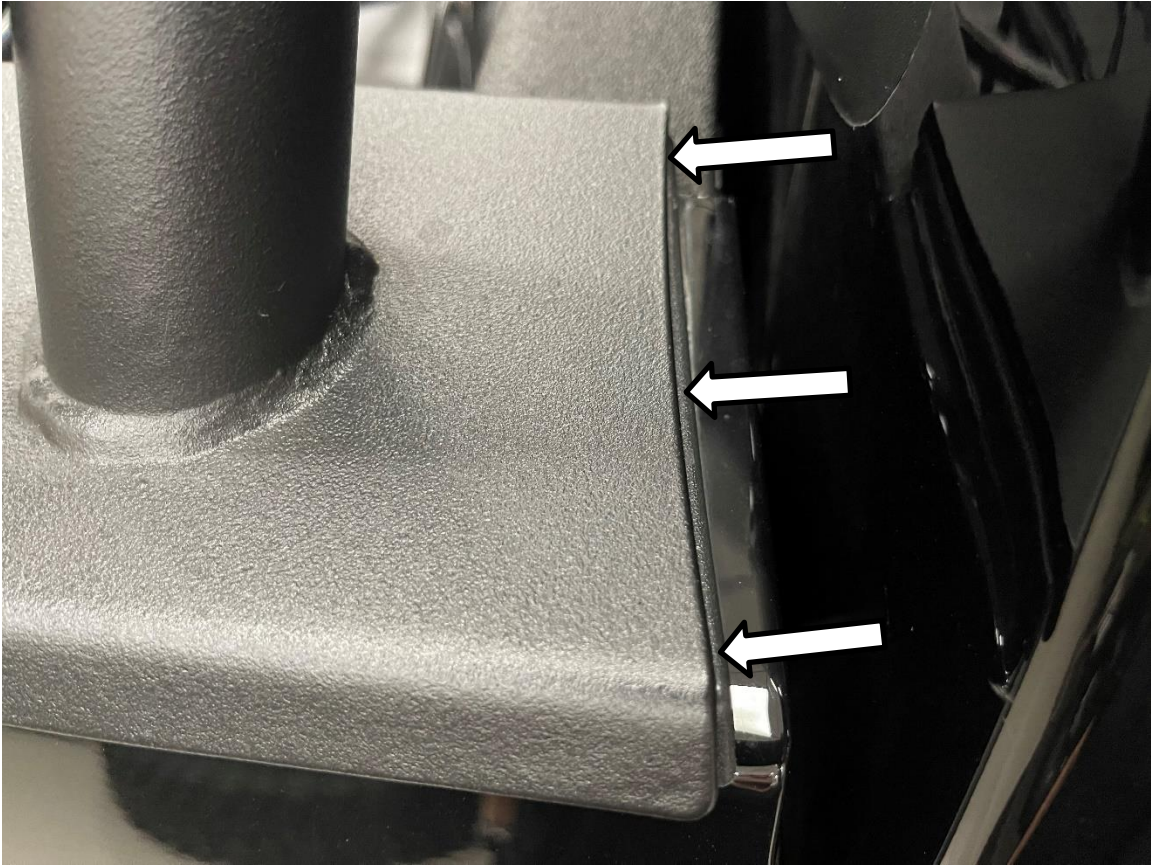
PARTS INCLUDED	QTY
CENTER LIGHT MOUNT ASSEMBLY	1
DRIVER SIDE ASSEMBLY	1
PASSENGER SIDE ASSEMBLY	1
BACKING PLATE	2



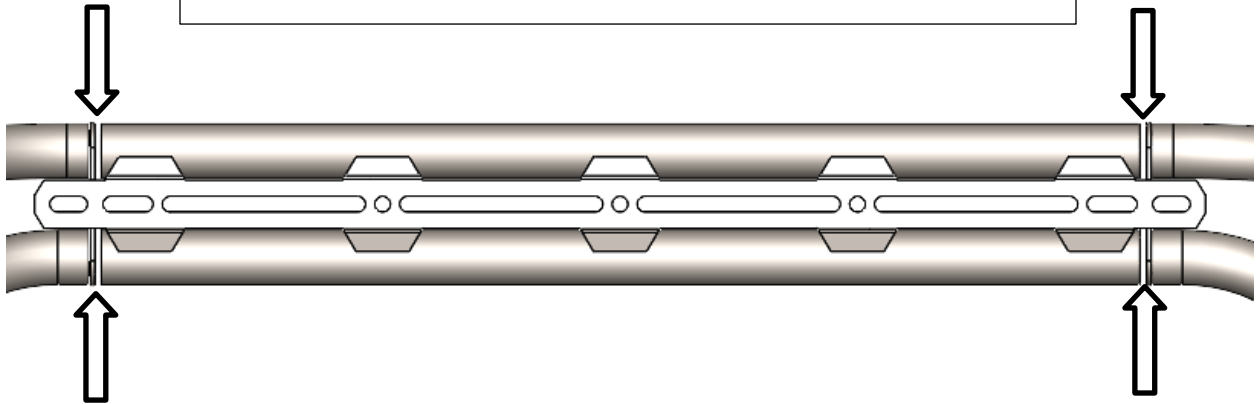
**Step 1:** Attach the Center section to the driver and passenger side assemblies using the supplied 3/8" x 1" carriage bolt (x4) and 3/8" flanged nut (x4) and leave finger tight for now. **\*NOTE: Begin with the upper bolt and nut first to have easier access to the lower fasteners. \***



**Step 2:** With additional help, carefully place Sport Bar onto bed rails aligning edge with the plastic cap on both sides.



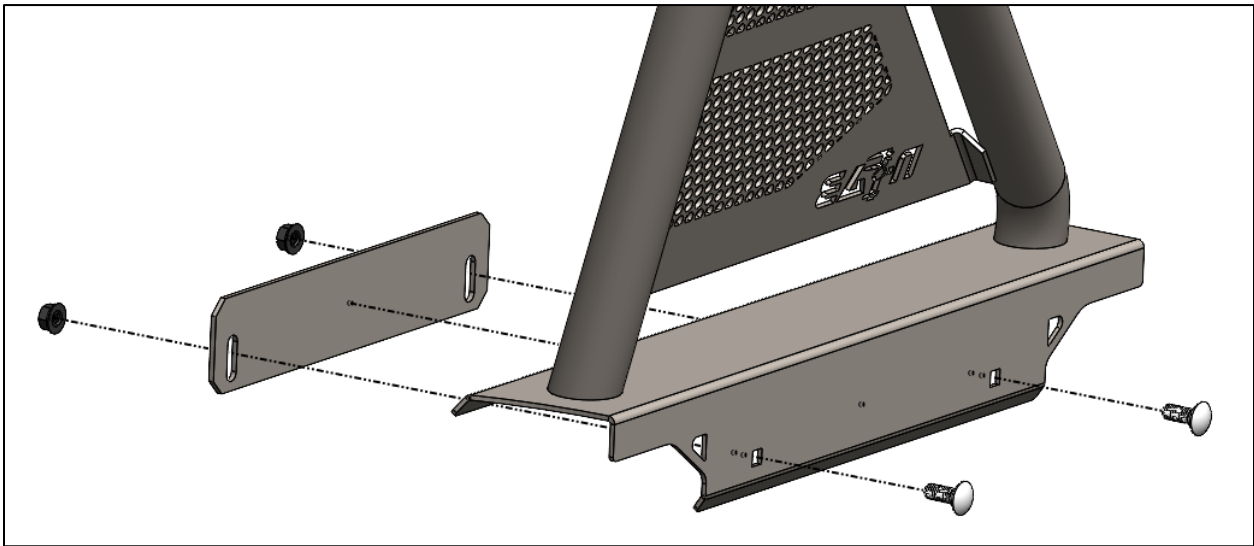
**Step 3:** Next, fully tighten the carriage bolts in the center section.





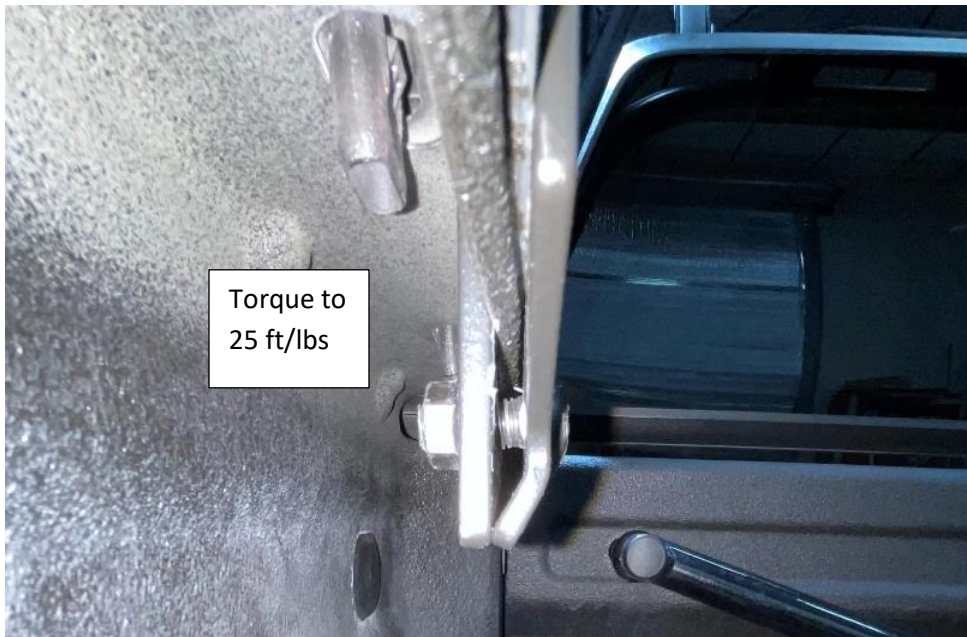
I-SHEET PART NUMBER: INST-00271  
PART NUMBER: **F19BR-TX**  
PRODUCT: **SPORT BAR**  
APPLICATION: **19-21 RANGER**

**Step 4:** Install the driver and passenger side backing plate brackets using the supplied 3/8" x 1" carriage bolts and 3/8" flanged washers **\*\*NOTE\*\*** *The bracket will mount with the holes closer to the edge facing down.*





The lip of the bed cap will sandwich between the backing plate and Sport bar.



**\*\* Periodical check all fasteners for tightness. \*\***