



Input Voltage	Controller Max Load	Power Consumption per 12" Tube	Power Consumption per 3ft flex strip	Controller Size
12V DC	6 amps (3 amps per zone)	0.15 amp	0.4 amp	4 x 2.33 x 0.73in (100x60x19mm)

## Warranty and Disclaimer

**Within One year after the purchase date, the original buyer** may return any XKchrome controller that has failed due to a defect in materials or workmanship. LED strips and pods that have one or more LEDs fail to illuminate due to a defect in materials or workmanship are covered with a lifetime warranty for **the original buyer**.

Installation of this product must be performed by a licensed professional. Should the failure of the product be the result of damage occurring as a result of improper installation, alteration of the product or an act or omission on the part of the consumer, this warranty is void. XKGLOW Lighting shall not be responsible for any consequential damages which arise from the use and/or installation of the product. If the kit is installed in any manner other than specified, XKGLOW Lighting reserves the right to deny any warranty claims at the discretion of the technical support department. Any product return must include the original packaging, invoice number and a statement of the alleged defect. Upon receipt of the returned product, the company will test the product for defect. If the results of the testing do not support the warranty claim, do not reveal any defect or indicate consumer negligence in the installation and handling of the product, then the product will be returned to you and you will be charged a reshipping fee. If the product is returned from an address within the continental United States, within the first 30 days after purchase, and is found to be defective, XKGLOW Lighting will exchange or refund the original purchase expense. This offer does not extend to the cost for shipping charges on any international packages.

## Additional Disclaimer Terms

Please check your local and state laws for the proper use of this product.

- Improper installation of electrical products such as lighting may cause damage to any vehicle or device to which the improperly handled or installed lighting is attached.
- Improperly installed product may cause electrical injury to persons.
- It is recommended that the kit should be installed by a licensed professional.
- XKGLOW assumes no liability for the installation of the product.
- Warranty or liability will not exceed the product purchase price, which shall be buyer's sole and exclusive remedy.

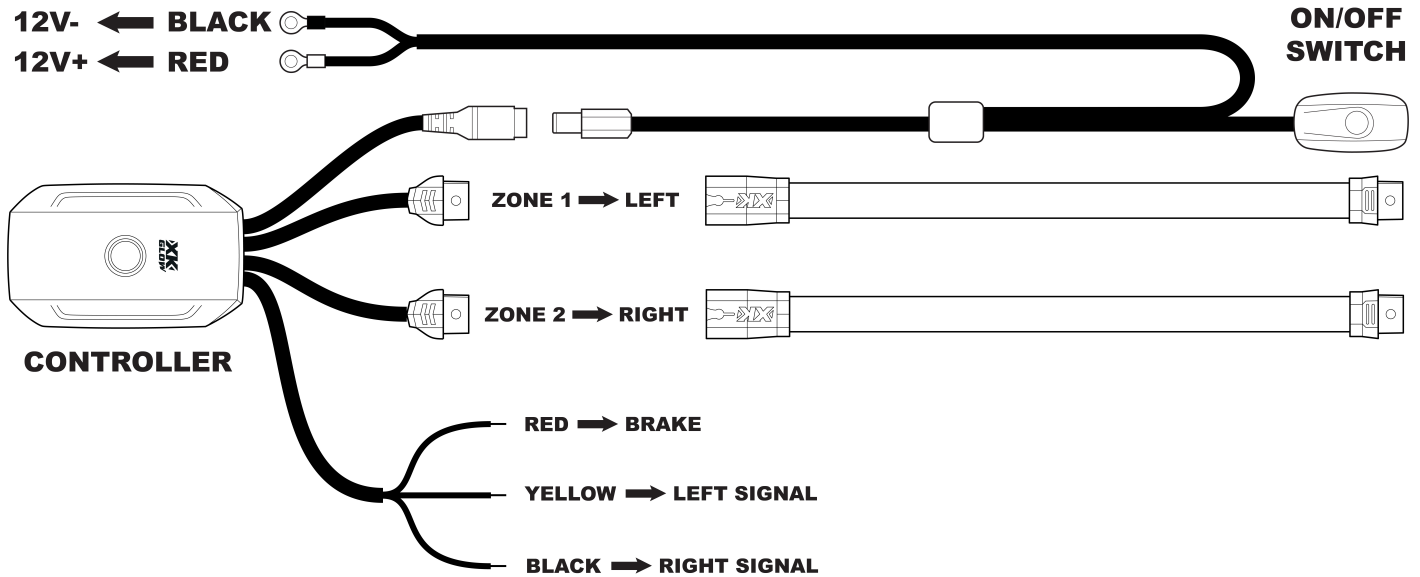
## Return/Exchange Procedure

1. Email [xk@xkglow.com] to notify us of the product issue as well as the item number and name of customer on invoice.
2. We will send you the trouble-shooting guide to fix the issue, or to narrow down which of the component(s) need to be replaced. If the issue still exists, we will ask you to send back the defective items to be replaced.
3. Please send the returned item as instructed, along with claims and a telephone number where you can be reached.
4. After the returned item(s) have been accepted and inspected, we will issue a refund or replace the items ASAP. For refunds, item(s) must be sent to XKGLOW within 14 days from date of purchase. Original shipping charges are not refundable.

We always stand behind our products and are committed to our customers! For questions you may have, please contact [xk@xkglow.com](mailto:xk@xkglow.com). We normally respond within 24 hours. (Monday-Friday).

### Mounting Instructions

- 1. Test all components before mounting:** As shown below, plug ALL light units together and connect them to the controller and the switch wiring harness. Connect the RED battery terminal to the POSITIVE pole of 12V DC battery. Connect the BLACK battery terminal to the NEGATIVE pole. If you want to use the SMART SENSOR (all LEDs turn red when brake is applied), connect the red wire from the controller to 12V+ of brake light or brake fuse. Turn on the switch and push the touch button to test all lights. If the lights show any defects, please contact us and we will be happy to replace them for you.

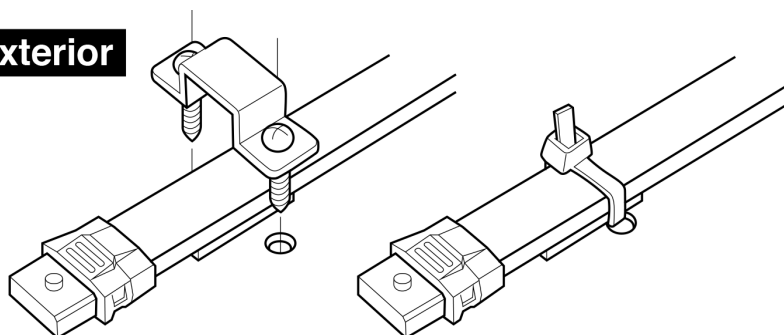


### Light Effect Options

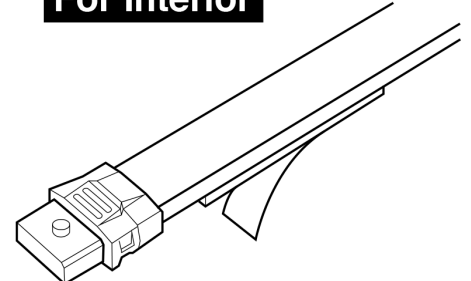
- Option A. Dual-Zone Interior + Underglow:** If you would like your kit to function with dual zones (example- interior one color + underglow another) follow this wiring option. Zone 1 from the controller will go to all interior lights. Zone 2 from the controller will go to the exterior lights. The YELLOW and BLACK sensor wires will NOT be used. You will still have the Smart Brake feature by wiring the RED sensor wire to the positive brake wire.
- Option B. Accent Lights as Turn Signal:** This option will allow the whole left or right side of your vehicle to function as turn signals + a brake light. To do this, wire Zone 1 from the controller to all lights on the LEFT side of the bike. Then wire Zone 2 from the controller to all lights on the RIGHT side. Connect the YELLOW sensor wire to the LEFT side positive turn signal wire and the BLACK sensor wire to the RIGHT side positive turn signal wire. Then, wire the RED sensor wire to the positive brake wire.

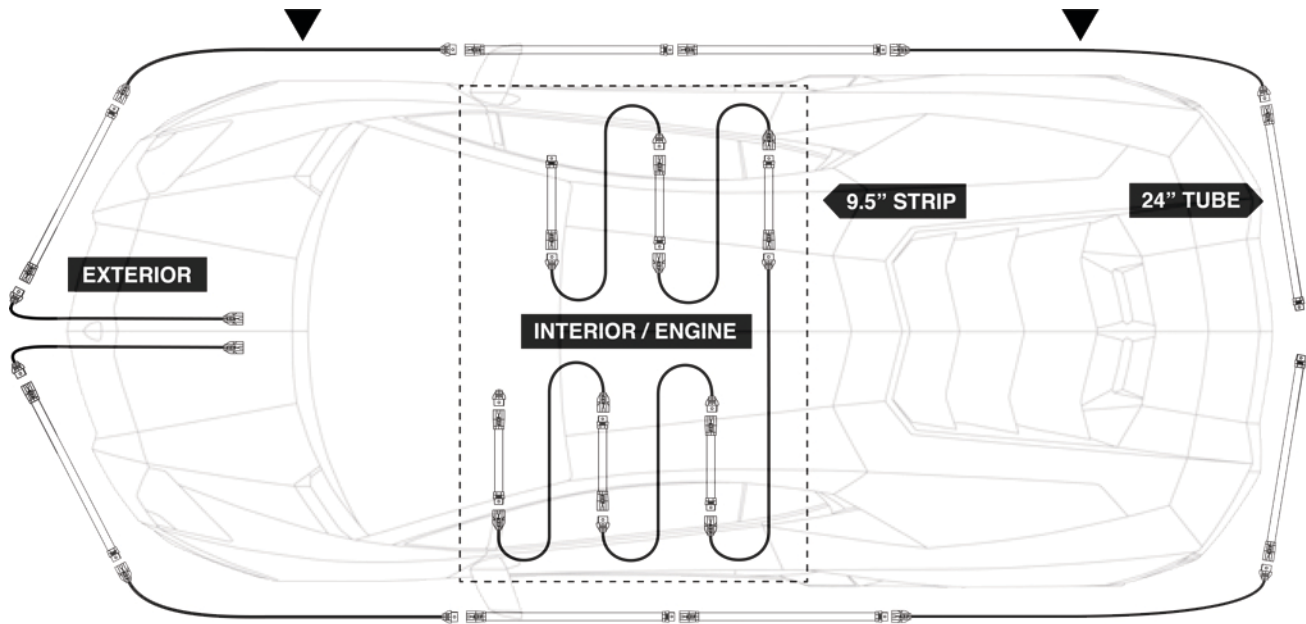
- 2. Plan mounting locations:** Disconnect the tested lights from the vehicle's battery and remove any bodywork that will have the LED lights located behind them. The 24" tubes are recommended for underglow, the 9.5" flexible strips are recommended for interior / grill / engine bay, and the 3ft flexible strips are recommended for the wheel wells/dust covers for wheel lighting. See diagram on next page for reference. Clean the mounting surface. LOOSELY mount the LED lights using Scotch or painters tape (not included) to the desired locations. (DO NOT firmly attach the lights in this step.) Plan for each output zone based on light effect options above (wheels/underglow, underglow/interior, etc.).

#### For Exterior



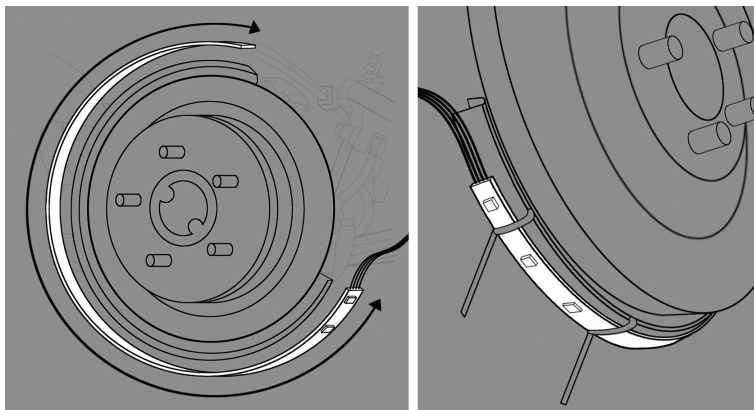
#### For Interior





If 3ft flexible wheel light strips are included in the kit, add the strips and extension wires in these sections.

- 3. Mount the lights and wires:** Clean the mounting surface again. Peel off the 3M tape on the back of the light, and attach the lights to the planned locations. Firmly mount included U-brackets to where 3M foam tapes are located. Connect all Y-splitters, extension wires and the switch wiring harness. **WARNING-** Do not force the plugs together! If they don't snap together, verify that all the pins line up. If a pin is out of place, it must be straightened up for the plug to snap together.



For wheel lights, wrap the flexible strips around the brake dust cover (where applicable) and mount using the provided 3M tape. **REQUIRED:** drill holes through the dust covers every six inches for zip ties. Pass zip ties through drill holes and wrap around the flex tubes to secure. See diagram below. Excess LEDs on the strips can be cut off every three LEDs where the 4 copper pads are. Cut tubes will need to be re-sealed with hot glue, silicon, or other water-proof sealant.

**NOTE:** If brake dust cover on vehicle does not allow for mounting of strips, strips can be mounted and secured on the fender liners for similar light effect.

- 4. Secure all wires and connectors:** Use provided zip ties and wire clips to neatly mount and hide any loose wires. Make sure they are not touching anything hot or located on moving parts. Locate the ON/OFF switch in a dry and convenient location. Used provided silicon end caps to cover all uncovered connectors.
- 5. Tap turn signal sensor wires:** If using Option B, tap the turn signal sensor wires into the correct turn signal wire. The YELLOW sensor wire taps into the LEFT side positive turn signal wire. The BLACK sensor wire taps into the RIGHT side positive turn signal wire.
- 6. Tap into the brake relay or positive brake light wire:** To utilize the controller's Smart Brake feature, the red wire on the controller must be tapped into the brake relay or positive brake light wire. Please refer to your owner's manual.
- 7. Connect to 12V DC power:** Firmly connect the wire terminals to the positive and negative poles of the battery. Power on, download the **XKchrome App**, and enjoy!



**Please note:** There are multiple XKGLOW apps on the App Store. Only the XKchrome App will work with the XKchrome Bluetooth Controller. The App icon is pictured here.