

Input Voltage	Power
12V DC	Running Light Mode: 4.5w Turn Signal Mode: 8.5w

Warranty and Disclaimer

XKGLOW products that have one or more LEDs fail to illuminate due to a defect in materials or workmanship are covered with **a THREE year warranty for the original buyer.**

Installation of this product must be performed by a licensed professional. Should the failure of the product be the result of damage occurring as a result of improper installation, alteration of the product or an act or omission on the part of the consumer, this warranty is void. XKGLOW Lighting shall not be responsible for any consequential damages which arise from the use and/or installation of the product. If the kit is installed in any manner other than specified, XKGLOW Lighting reserves the right to deny any warranty claims at the discretion of the technical support department. Any product return must include the original packaging, invoice number and a statement of the alleged defect. Upon receipt of the returned product, the company will test the product for defect. If the results of the testing do not support the warranty claim, do not reveal any defect or indicate consumer negligence in the installation and handling of the product, then the product will be returned to you and you will be charged a reshipping fee. If the product is returned from an address within the continental United States, within the first 30 days after purchase, and is found to be defective, XKGLOW Lighting will exchange or refund the original purchase expense. This offer does not extend to the cost for shipping charges on any international packages.

Additional Disclaimer Terms

Please check your local and state laws for the proper use of this product.

- Improper installation of electrical products such as lighting may cause damage to any vehicle or device to which the improperly handled or installed lighting is attached.
- Improperly installed product may cause electrical injury to persons.
- It is recommended that the kit should be installed by a licensed professional.
- XKGLOW assumes no liability for the installation of the product.
- Warranty or liability will not exceed the product purchase price, which shall be buyer's sole and exclusive remedy.

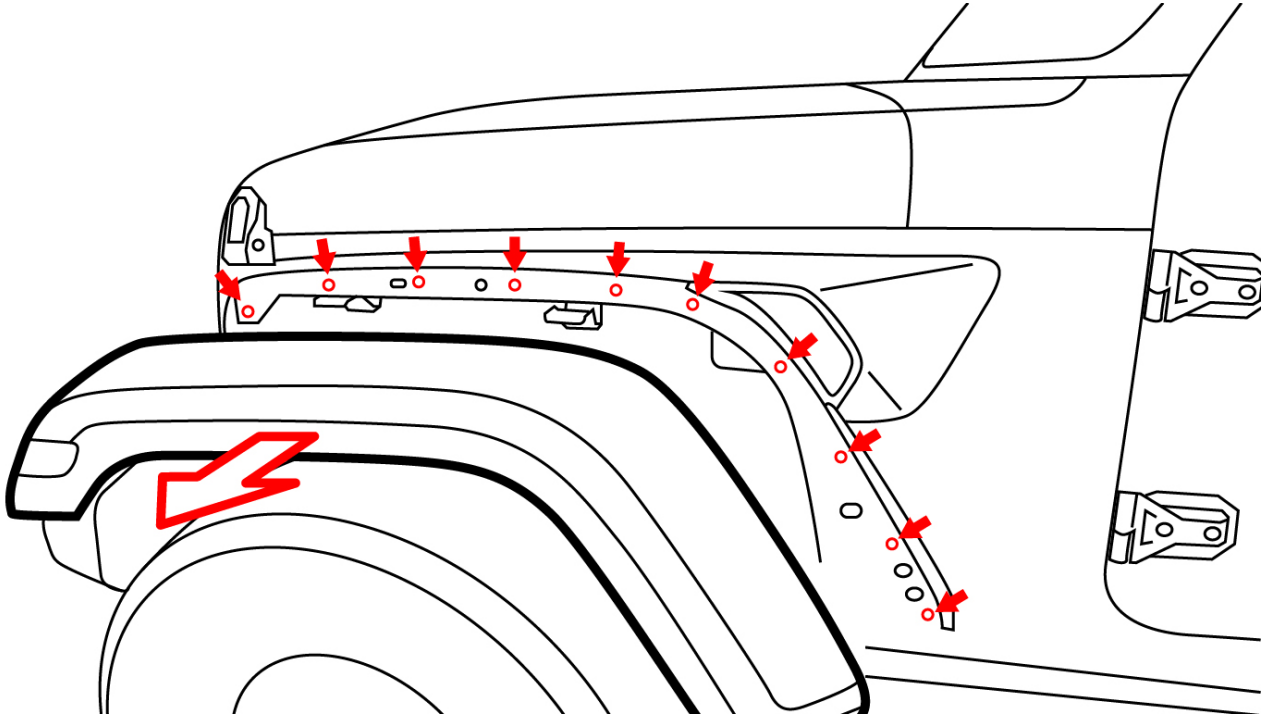
Return/Exchange Procedure

1. Email [xk@xkglow.com] to notify us of the product issue as well as the item number and name of customer on invoice.
2. We will send you the trouble-shooting guide to fix the issue, or to narrow down which of the component(s) need to be replaced. If the issue still exists, we will ask you to send back the defective items to be replaced.
3. Please send the returned item as instructed, along with claims and a telephone number where you can be reached.
4. After the returned item(s) have been accepted and inspected, we will issue a refund or replace the items ASAP. For refunds, item(s) must be sent to XKGLOW within 14 days from date of purchase. Original shipping charges are not refundable.

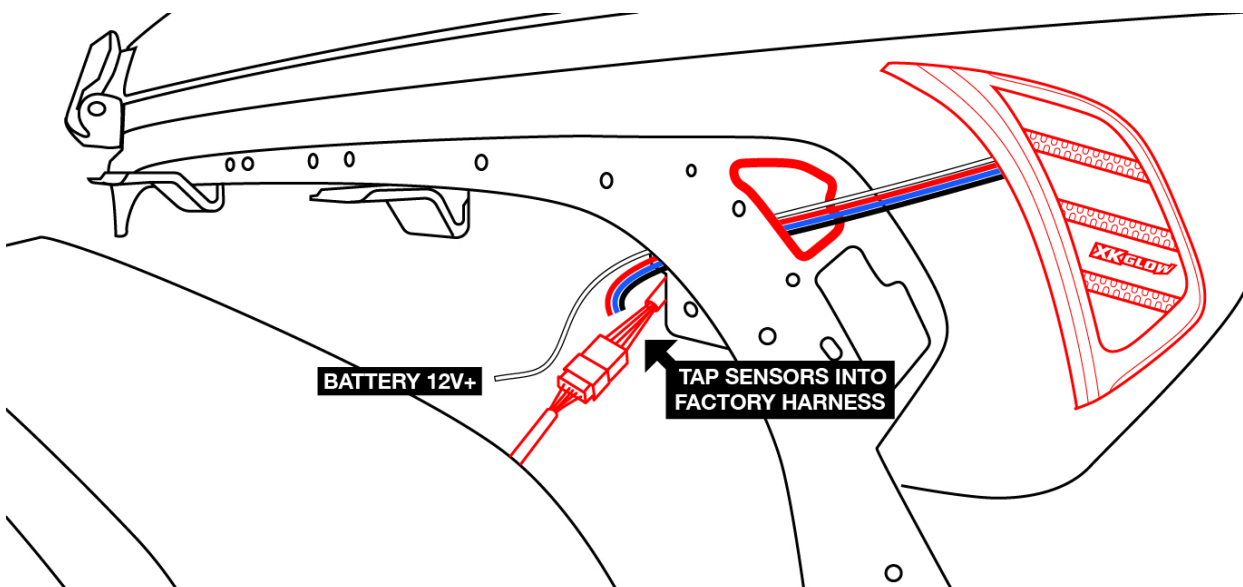
We always stand behind our products and are committed to our customers! For questions you may have, please contact xk@xkglow.com. We normally respond within 24 hours. (Monday-Friday).

Mounting Instructions

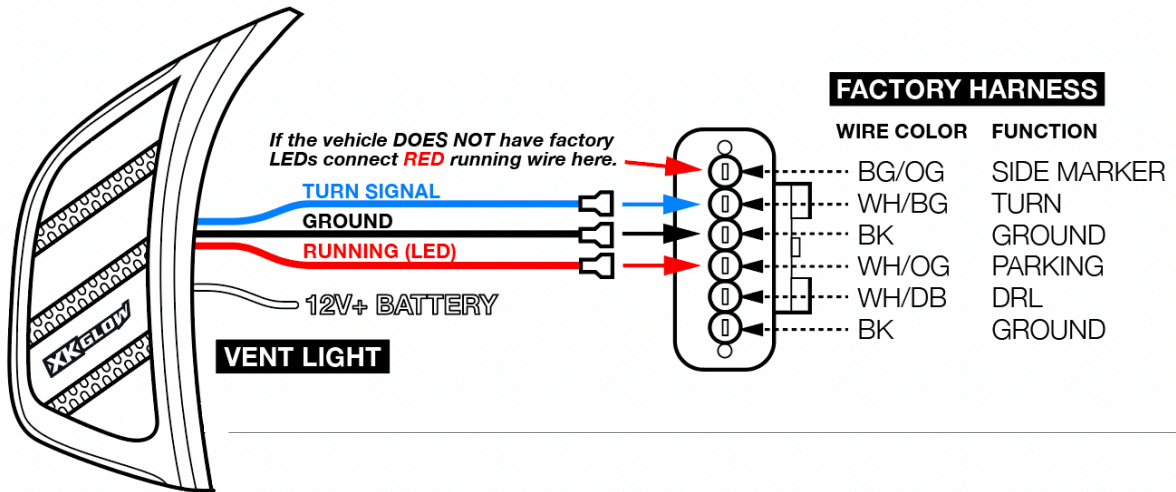
1. **Remove Fenders:** Remove fenders by removing 10mm bolts inside the wheel well. Once the bolts are removed the fender is held on by body clips. Firmly pull the fender away from the vehicle starting at the bottom of the fender. You will hear a popping noise, this is simply the clips letting go. Use gentle force and proper tool to avoid clips breaking during this process. NOTE: Pull the fender a few inches from the vehicles body. The fender will still be attached to the vehicle by a wiring harness.



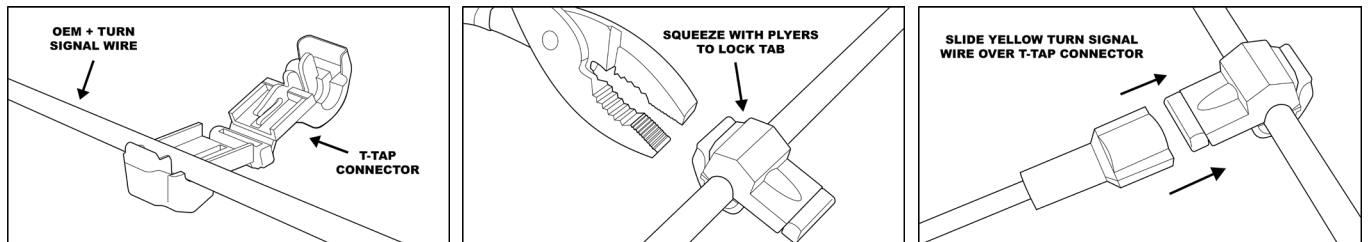
2. **Locate factory wiring harness and feed wires:** Locate the wiring harness and unplug. Set the fender aside for now. You will use THIS harness to tap the XK Fender Vent Light into. Remove the existing fender vent by using body clip removal tool. Feed the XK Fender Vent wiring through the large top hole (as highlighted with bold red line below) in the body of the vehicle behind the Fender Vent.



3. **Tap into factory sensor wires and connect to power:** Use the diagram below to locate the Running Light, Turn Signal Light, and Ground wires from the factory wiring harness. Use provided T-tap connectors to tap into corresponding wires. Connect the white wire to vehicle 12V+ battery power. After all wires are securely connected, test the light for functionality while the vehicle is both running and not running.



How to use T-tap connectors



4. **Mount the vent light and fender:** When the light has been fully tested, mount the vent light using the 3M tape on the back of the light, and then mount the fender. Repeat the process on the other side of the vehicle. NOTE: Any fender clips that are still attached to the vehicle must be reinserted back to the fender before installing.